

 **BOEING**  
COMPONENT  
MAINTENANCE MANUAL

TO: ALL HOLDERS OF WING LE OUTBOARD SLAT NO. 2, 11 STRUCTURE ASSEMBLY  
COMPONENT MAINTENANCE MANUAL 57-43-45

REVISION NO. 20 DATED NOV 01/01

HIGHLIGHTS

Pages which have been added or revised are outlined below together with the highlights of the revision. Remove and insert the affected pages as listed and enter Revision No. and date to the Record of Revision Sheet.

CHAPTER/SECTION

AND PAGE NO.

REPAIR 11-1

603,609-610

DESCRIPTION OF CHANGE

Clarified limits for wedge replacement procedure.

**57-43-45**

HIGHLIGHTS

01.1

Page 1

Nov 01/01

WING LEADING EDGE OUTBOARD SLAT NO. 2,11  
STRUCTURE ASSEMBLY

PART NUMBERS 015T0165-5,-6  
015T1507-201 THRU -272  
114T4102-13SP,-14SP,-21SP,  
-22SP,-23,-24,-25SP,  
-26SP,-27 THRU -32,  
-37 THRU -42,-45 THRU  
-48,-51SP THRU -54SP,  
-401SP,-402SP,-403G,  
-403P,-404G,-404P

COMPONENT MAINTENANCE MANUAL  
WITH  
ILLUSTRATED PARTS LIST

57-43-45

TITLE PAGE

Page 1

Nov 01/00

01.1

REVISION RECORD

- Retain this record in front of manual. On receipt of revision, insert revised pages in the manual, and enter revision number, date inserted and initial.

REVISION NUMBER	REVISION DATE	DATE FILED	BY	REVISION NUMBER	REVISION DATE	DATE FILED	BY

TEMPORARY REVISION AND SERVICE BULLETIN RECORD

BOEING SERVICE BULLETIN	BOEING TEMPORARY REVISION	OTHER DIRECTIVE	DATE OF INCORPORATION INTO MANUAL
		PRR A10503	JUL 10/83
		PRR A10503-2	JUL 10/83
		PRR A10514-2	JUL 10/83
		PRR A10514-3	JUL 10/83
		PRR A10515	JUL 10/83
		PRR A10517	JUL 10/83
		PRR A10519	JUL 10/83
		PRR A10521	JUL 10/83
		PRR A10522	JUL 10/83
		PRR A10525	JUL 10/83
		PRR A10530	JUL 10/83
		PRR B10374	JUL 10/83
		PRR B10663	JAN 10/87
		PRR A10529	JUL 10/84
		PRR C12017-1	JAN 10/85
		PRR A10509	JAN 10/85
		PRR C12343	APR 01/92
		MC 0310MK6086	OCT 01/92
		MC 0310MK6097	OCT 01/92
			JUN 01/95
		PRR B12900-67	DEC 01/96
			JUN 01/97
			MAR 01/00
			MAR 01/00
		PRR B13103-2	MAR 01/00
		PRR B13113-1	MAR 01/00
		PRR B12797	MAR 01/00
		PRR B12628-2	NOV 01/00
767-32-0095			
767-32-0107			
767-57A0039 R2			
767-57A0057			
767-57A0057 R1			
767-57A0057 R2			

57-43-45

TR & SB RECORD

01.1

Page 1

Nov 01/00

PAGE	DATE	CODE	PAGE	DATE	CODE
57-43-45			REPAIR-GENERAL		
TITLE PAGE			601	NOV 01/00	01.1
1	NOV 01/00	01.1	602	JUN 01/97	01.1
2	BLANK		603	JUN 01/97	01.1
REVISION RECORD			604	BLANK	
1	JUN 01/97	01.1	REPAIR 1-1		
2	BLANK		601	JUN 01/97	01.1
TR & SB RECORD			602	JUN 01/97	01.1
1	NOV 01/00	01.1	603	JUN 01/97	01.1
2	BLANK		604	JUN 01/97	01.1
LIST OF EFFECTIVE PAGES			REPAIR 2-1		
*1	NOV 01/01	01	601	JUN 01/97	01.1
THRU LAST PAGE			602	JUN 01/97	01.1
CONTENTS			603	JUN 01/97	01.1
1	JUN 01/97	01.1	604	JUN 01/97	01.1
2	BLANK		REPAIR 3-1		
INTRODUCTION			601	JUN 01/97	01.1
1	JUN 01/97	01.1	602	JUN 01/97	01.1
2	BLANK		603	JUN 01/97	01.1
DESCRIPTION & OPERATION			604	JUN 01/97	01.1
1	JUN 01/97	01.1	REPAIR 4-1		
2	BLANK		601	JUN 01/97	01.1
DISASSEMBLY			602	JUN 01/97	01.1
301	JUN 01/97	01.1	603	JUN 01/97	01.1
302	BLANK		604	JUN 01/97	01.1
CLEANING			REPAIR 5-1		
401	JUN 01/97	01.1	601	MAR 01/00	01.1
402	BLANK		602	MAR 01/00	01.1
CHECK			603	MAR 01/00	01.101
501	MAR 01/00	01.1	604	MAR 01/00	01.101
502	BLANK		605	MAR 01/00	01.101
			606	MAR 01/00	01.1
			607	MAR 01/00	01.1
			608	MAR 01/00	01.1

\* = REVISED, ADDED OR DELETED

**57-43-45**

EFFECTIVE PAGES  
 CONTINUED Page 1  
 01 Nov 01/01

PAGE	DATE	CODE	PAGE	DATE	CODE
REPAIR 6-1			REPAIR 11-1		CONT.
601	JUN 01/97	01.1	607	JUN 01/97	01.1
602	JUN 01/97	01.1	608	JUN 01/97	01.1
603	JUN 01/97	01.1	*609	NOV 01/01	01.1
604	JUN 01/97	01.1	*610	NOV 01/01	01.1
605	JUN 01/97	01.1			
606	BLANK		ASSEMBLY		
REPAIR 7-1			701	JUN 01/97	01.1
601	JUN 01/97	01.1	702	MAR 01/00	01.1
602	JUN 01/97	01.1	703	JUN 01/97	01.1
603	JUN 01/97	01.1	704	BLANK	
604	JUN 01/97	01.1	FITS AND CLEARANCES		
605	JUN 01/97	01.1	801	JUN 01/97	01.1
606	BLANK		802	JUN 01/97	01.1
REPAIR 8-1			803	JUN 01/97	01.1
601	MAR 01/00	01.1	804	JUN 01/97	01.1
602	MAR 01/00	01.1	SPECIAL TOOLS		
603	MAR 01/00	01.1	901	JUN 01/97	01.1
604	MAR 01/00	01.1	902	BLANK	
REPAIR 9-1			ILLUSTRATED PARTS LIST		
601	MAR 01/00	01.1	1001	JUN 01/97	01.1
602	MAR 01/00	01.1	1002	NOV 01/00	01.1
603	NOV 01/00	01.1	1003	NOV 01/00	01.1
604	NOV 01/00	01.1	1004	NOV 01/00	01.1
605	NOV 01/00	01.1	1005	NOV 01/00	01.1
606	NOV 01/00	01.1	1006	NOV 01/00	01.1
607	MAR 01/00	01.1	1007	NOV 01/00	01.1
608	NOV 01/00	01.1	1008	NOV 01/00	01.1
609	NOV 01/00	01.1	1009	NOV 01/00	01.1
610	NOV 01/00	01.1	1010	NOV 01/00	01.1
611	NOV 01/00	01.101	1011	NOV 01/00	01.1
612	BLANK		1012	NOV 01/00	01.1
REPAIR 11-1			1013	NOV 01/00	01.1
601	MAR 01/00	01.1	1014	NOV 01/00	01.1
602	MAR 01/98	01.1	1015	NOV 01/00	01.1
*603	NOV 01/01	01.1	1016	NOV 01/00	01.1
604	MAR 01/98	01.1	1017	NOV 01/00	01.1
605	MAR 01/98	01.1	1018	NOV 01/00	01.1
606	JUN 01/97	01.1	1019	NOV 01/00	01.1
			1020	NOV 01/00	01.1

\* = REVISED, ADDED OR DELETED

# 57-43-45

EFFECTIVE PAGES  
 CONTINUED Page 2  
 01 Nov 01/01

PAGE	DATE	CODE		PAGE	DATE	CODE	
ILLUSTRATED	PARTS LIST		CONT.	ILLUSTRATED	PARTS LIST		CONT.
1021	NOV 01/00	01.1		1040W	NOV 01/00	01.1	
1022	NOV 01/00	01.1		1040X	NOV 01/00	01.1	
1023	NOV 01/00	01.1		1040Y	NOV 01/00	01.1	
1024	NOV 01/00	01.1		1040Z	NOV 01/00	01.1	
1025	NOV 01/00	01.1		1041	NOV 01/00	01.1	
1026	NOV 01/00	01.1		1042	NOV 01/00	01.1	
1027	NOV 01/00	01.1		1042A	NOV 01/00	01.1	
1028	NOV 01/00	01.1		1042B	NOV 01/00	01.1	
1029	NOV 01/00	01.1		1042C	NOV 01/00	01.1	
1030	NOV 01/00	01.1		1042D	NOV 01/00	01.1	
1031	NOV 01/00	01.1		1042E	NOV 01/00	01.1	
1032	NOV 01/00	01.1		1042F	NOV 01/00	01.1	
1033	NOV 01/00	01.1		1042G	NOV 01/00	01.1	
1034	NOV 01/00	01.1		1042H	NOV 01/00	01.1	
1035	NOV 01/00	01.1		1042I	NOV 01/00	01.1	
1036	NOV 01/00	01.1		1042J	BLANK		
1037	NOV 01/00	01.1		1042K	NOV 01/00	01.1	
1038	NOV 01/00	01.1		1042L	NOV 01/00	01.1	
1039	NOV 01/00	01.1		1042M	NOV 01/00	01.1	
1040	NOV 01/00	01.1		1042N	NOV 01/00	01.1	
1040A	NOV 01/00	01.1		1042O	NOV 01/00	01.1	
1040B	NOV 01/00	01.1		1042P	NOV 01/00	01.1	
1040C	NOV 01/00	01.1		1042Q	NOV 01/00	01.1	
1040D	NOV 01/00	01.1		1042R	NOV 01/00	01.1	
1040E	NOV 01/00	01.1		1042S	NOV 01/00	01.1	
1040F	NOV 01/00	01.1		1042T	NOV 01/00	01.1	
1040G	NOV 01/00	01.1		1042U	NOV 01/00	01.1	
1040H	NOV 01/00	01.1		1042V	NOV 01/00	01.1	
1040I	NOV 01/00	01.1		1042W	NOV 01/00	01.1	
1040J	NOV 01/00	01.1		1042X	NOV 01/00	01.1	
1040K	NOV 01/00	01.1		1042Y	NOV 01/00	01.1	
1040L	NOV 01/00	01.1		1042Z	NOV 01/00	01.1	
1040M	NOV 01/00	01.1		1043	NOV 01/00	01.1	
1040N	NOV 01/00	01.1		1044	NOV 01/00	01.1	
1040O	NOV 01/00	01.1		1044A	NOV 01/00	01.1	
1040P	NOV 01/00	01.1		1044B	NOV 01/00	01.1	
1040Q	NOV 01/00	01.1		1044C	NOV 01/00	01.1	
1040R	NOV 01/00	01.1		1044D	NOV 01/00	01.1	
1040S	NOV 01/00	01.1		1044E	NOV 01/00	01.1	
1040T	NOV 01/00	01.1		1044F	NOV 01/00	01.1	
1040U	NOV 01/00	01.1		1044G	NOV 01/00	01.1	
1040V	NOV 01/00	01.1		1044H	NOV 01/00	01.1	

\* = REVISED, ADDED OR DELETED

**57-43-45**

EFFECTIVE PAGES  
 CONTINUED Page 3  
 01 Nov 01/01

PAGE	DATE	CODE	PAGE	DATE	CODE
ILLUSTRATED PARTS LIST		CONT.	ILLUSTRATED PARTS LIST		CONT.
1044I	NOV 01/00	01.1	1046W	NOV 01/00	01.1
1044J	NOV 01/00	01.1	1046X	NOV 01/00	01.1
1044K	NOV 01/00	01.1	1046Y	NOV 01/00	01.1
1044L	NOV 01/00	01.1	1046Z	NOV 01/00	01.1
1044M	NOV 01/00	01.1	1047	NOV 01/00	01.1
1044N	NOV 01/00	01.1	1048	NOV 01/00	01.1
1044O	NOV 01/00	01.1	1048A	NOV 01/00	01.1
1044P	NOV 01/00	01.1	1048B	NOV 01/00	01.1
1044Q	NOV 01/00	01.1	1048C	NOV 01/00	01.1
1044R	NOV 01/00	01.1	1048D	NOV 01/00	01.1
1044S	NOV 01/00	01.1	1048E	NOV 01/00	01.1
1044T	NOV 01/00	01.1	1048F	NOV 01/00	01.1
1044U	NOV 01/00	01.1	1048G	NOV 01/00	01.1
1044V	NOV 01/00	01.1	1048H	NOV 01/00	01.1
1044W	NOV 01/00	01.1	1048I	NOV 01/00	01.1
1044X	NOV 01/00	01.1	1048J	NOV 01/00	01.1
1044Y	NOV 01/00	01.1	1048K	NOV 01/00	01.1
1044Z	NOV 01/00	01.1	1048L	NOV 01/00	01.1
1045	NOV 01/00	01.1	1048M	NOV 01/00	01.1
1046	NOV 01/00	01.1	1048N	NOV 01/00	01.1
1046A	NOV 01/00	01.1	1048O	NOV 01/00	01.1
1046B	NOV 01/00	01.1	1048P	NOV 01/00	01.1
1046C	NOV 01/00	01.1	1048Q	NOV 01/00	01.1
1046D	NOV 01/00	01.1	1048R	NOV 01/00	01.1
1046E	NOV 01/00	01.1	1048S	NOV 01/00	01.1
1046F	NOV 01/00	01.1	1048T	NOV 01/00	01.1
1046G	NOV 01/00	01.1	1048U	NOV 01/00	01.1
1046H	NOV 01/00	01.1	1048V	NOV 01/00	01.1
1046I	NOV 01/00	01.1	1048W	NOV 01/00	01.1
1046J	NOV 01/00	01.1	1048X	BLANK	
1046K	NOV 01/00	01.1	1048Y	NOV 01/00	01.1
1046L	NOV 01/00	01.1	1048Z	NOV 01/00	01.1
1046M	NOV 01/00	01.1	1049	NOV 01/00	01.1
1046N	NOV 01/00	01.1	1050	NOV 01/00	01.1
1046O	NOV 01/00	01.1	1050A	NOV 01/00	01.1
1046P	NOV 01/00	01.1	1050B	NOV 01/00	01.1
1046Q	NOV 01/00	01.1	1050C	NOV 01/00	01.1
1046R	NOV 01/00	01.1	1050D	NOV 01/00	01.1
1046S	NOV 01/00	01.1	1050E	NOV 01/00	01.1
1046T	NOV 01/00	01.1	1050F	NOV 01/00	01.1
1046U	NOV 01/00	01.1	1050G	NOV 01/00	01.1
1046V	NOV 01/00	01.1	1050H	NOV 01/00	01.1

\* = REVISED, ADDED OR DELETED

# 57-43-45

EFFECTIVE PAGES  
 CONTINUED Page 4  
 01 Nov 01/01



PAGE	DATE	CODE		PAGE	DATE	CODE	
ILLUSTRATED	PARTS LIST		CONT.	ILLUSTRATED	PARTS LIST		CONT.
1050I	NOV 01/00	01.1		1052W	NOV 01/00	01.1	
1050J	NOV 01/00	01.1		1052X	NOV 01/00	01.1	
1050K	NOV 01/00	01.1		1052Y	NOV 01/00	01.1	
1050L	NOV 01/00	01.1		1052Z	NOV 01/00	01.1	
1050M	NOV 01/00	01.1		1053	NOV 01/00	01.1	
1050N	NOV 01/00	01.1		1054	NOV 01/00	01.1	
1050O	NOV 01/00	01.1		1054A	NOV 01/00	01.1	
1050P	NOV 01/00	01.1		1054B	NOV 01/00	01.1	
1050Q	NOV 01/00	01.1		1054C	NOV 01/00	01.1	
1050R	NOV 01/00	01.1		1054D	NOV 01/00	01.1	
1050S	NOV 01/00	01.1		1054E	NOV 01/00	01.1	
1050T	NOV 01/00	01.1		1054F	NOV 01/00	01.1	
1050U	NOV 01/00	01.1		1054G	NOV 01/00	01.1	
1050V	NOV 01/00	01.1		1054H	NOV 01/00	01.1	
1050W	NOV 01/00	01.1		1054I	NOV 01/00	01.1	
1050X	NOV 01/00	01.1		1054J	NOV 01/00	01.1	
1050Y	NOV 01/00	01.1		1054K	NOV 01/00	01.1	
1050Z	NOV 01/00	01.1		1054L	NOV 01/00	01.1	
1051	NOV 01/00	01.1		1054M	NOV 01/00	01.1	
1052	NOV 01/00	01.1		1054N	NOV 01/00	01.1	
1052A	NOV 01/00	01.1		1054O	NOV 01/00	01.1	
1052B	NOV 01/00	01.1		1054P	NOV 01/00	01.1	
1052C	NOV 01/00	01.1		1054Q	NOV 01/00	01.1	
1052D	NOV 01/00	01.1		1054R	NOV 01/00	01.1	
1052E	NOV 01/00	01.1		1054S	NOV 01/00	01.1	
1052F	NOV 01/00	01.1		1054T	NOV 01/00	01.1	
1052G	NOV 01/00	01.1		1054U	NOV 01/00	01.1	
1052H	NOV 01/00	01.1		1054V	NOV 01/00	01.1	
1052I	NOV 01/00	01.1		1054W	NOV 01/00	01.1	
1052J	NOV 01/00	01.1		1054X	NOV 01/00	01.1	
1052K	NOV 01/00	01.1		1054Y	NOV 01/00	01.1	
1052L	NOV 01/00	01.1		1054Z	NOV 01/00	01.1	
1052M	NOV 01/00	01.1		1055	NOV 01/00	01.1	
1052N	NOV 01/00	01.1		1056	NOV 01/00	01.1	
1052O	NOV 01/00	01.1		1056A	NOV 01/00	01.1	
1052P	NOV 01/00	01.1		1056B	NOV 01/00	01.1	
1052Q	NOV 01/00	01.1		1056C	NOV 01/00	01.1	
1052R	NOV 01/00	01.1		1056D	NOV 01/00	01.1	
1052S	NOV 01/00	01.1		1056E	NOV 01/00	01.1	
1052T	NOV 01/00	01.1		1056F	NOV 01/00	01.1	
1052U	NOV 01/00	01.1		1056G	NOV 01/00	01.1	
1052V	NOV 01/00	01.1		1056H	NOV 01/00	01.1	

\* = REVISED, ADDED OR DELETED

**57-43-45**

EFFECTIVE PAGES  
 CONTINUED Page 5  
 01 Nov 01/01

PAGE	DATE	CODE	PAGE	DATE	CODE
ILLUSTRATED PARTS LIST		CONT.	ILLUSTRATED PARTS LIST		CONT.
1056I	NOV 01/00	01.1	1058W	NOV 01/00	01.1
1056J	NOV 01/00	01.1	1058X	NOV 01/00	01.1
1056K	NOV 01/00	01.1	1058Y	NOV 01/00	01.1
1056L	NOV 01/00	01.1	1058Z	NOV 01/00	01.1
1056M	NOV 01/00	01.1	1059	NOV 01/00	01.1
1056N	NOV 01/00	01.1	1060	NOV 01/00	01.1
1056O	NOV 01/00	01.1	1060A	NOV 01/00	01.1
1056P	NOV 01/00	01.1	1060B	NOV 01/00	01.1
1056Q	NOV 01/00	01.1	1060C	NOV 01/00	01.1
1056R	NOV 01/00	01.1	1060D	NOV 01/00	01.1
1056S	NOV 01/00	01.1	1060E	NOV 01/00	01.1
1056T	NOV 01/00	01.1	1060F	NOV 01/00	01.1
1056U	NOV 01/00	01.1	1060G	NOV 01/00	01.1
1056V	NOV 01/00	01.1	1060H	NOV 01/00	01.1
1056W	NOV 01/00	01.1	1060I	NOV 01/00	01.1
1056X	NOV 01/00	01.1	1060J	NOV 01/00	01.1
1056Y	NOV 01/00	01.1	1060K	NOV 01/00	01.1
1056Z	NOV 01/00	01.1	1060L	NOV 01/00	01.1
1057	NOV 01/00	01.1	1060M	NOV 01/00	01.1
1058	NOV 01/00	01.1	1060N	NOV 01/00	01.1
1058A	NOV 01/00	01.1	1060O	NOV 01/00	01.1
1058B	NOV 01/00	01.1	1060P	NOV 01/00	01.1
1058C	NOV 01/00	01.1	1060Q	NOV 01/00	01.1
1058D	NOV 01/00	01.1	1060R	NOV 01/00	01.1
1058E	NOV 01/00	01.1	1060S	NOV 01/00	01.1
1058F	NOV 01/00	01.1	1060T	NOV 01/00	01.1
1058G	NOV 01/00	01.1	1060U	NOV 01/00	01.1
1058H	NOV 01/00	01.1	1060V	NOV 01/00	01.1
1058I	NOV 01/00	01.1	1060W	NOV 01/00	01.1
1058J	NOV 01/00	01.1	1060X	NOV 01/00	01.1
1058K	NOV 01/00	01.1	1060Y	NOV 01/00	01.1
1058L	NOV 01/00	01.1	1060Z	NOV 01/00	01.1
1058M	NOV 01/00	01.1	1061	NOV 01/00	01.1
1058N	NOV 01/00	01.1	1062	NOV 01/00	01.1
1058O	NOV 01/00	01.1	1062A	NOV 01/00	01.1
1058P	NOV 01/00	01.1	1062B	NOV 01/00	01.1
1058Q	NOV 01/00	01.1	1062C	NOV 01/00	01.1
1058R	NOV 01/00	01.1	1062D	NOV 01/00	01.1
1058S	NOV 01/00	01.1	1062E	NOV 01/00	01.1
1058T	NOV 01/00	01.1	1062F	NOV 01/00	01.1
1058U	NOV 01/00	01.1	1062G	NOV 01/00	01.1
1058V	NOV 01/00	01.1	1062H	NOV 01/00	01.1

\* = REVISED, ADDED OR DELETED

# 57-43-45

EFFECTIVE PAGES  
 CONTINUED Page 6  
 01 Nov 01/01

PAGE	DATE	CODE	PAGE	DATE	CODE
ILLUSTRATED PARTS LIST		CONT.			
1062I	NOV 01/00	01.1			
1062J	NOV 01/00	01.1			
1062K	NOV 01/00	01.1			
1062L	NOV 01/00	01.1			
1062M	NOV 01/00	01.1			
1062N	NOV 01/00	01.1			
1062O	NOV 01/00	01.1			
1062P	NOV 01/00	01.1			
1062Q	NOV 01/00	01.1			
1062R	NOV 01/00	01.1			
1062S	NOV 01/00	01.1			
1062T	NOV 01/00	01.1			
1062U	NOV 01/00	01.1			
1062V	NOV 01/00	01.1			
1062W	NOV 01/00	01.1			
1062X	NOV 01/00	01.1			
1062Y	NOV 01/00	01.1			
1062Z	NOV 01/00	01.1			
1063	NOV 01/00	01.1			
1064	NOV 01/00	01.1			
1064A	NOV 01/00	01.1			
1064B	NOV 01/00	01.1			
1064C	NOV 01/00	01.1			
1064D	NOV 01/00	01.1			
1064E	NOV 01/00	01.1			
1064F	NOV 01/00	01.1			
1064G	NOV 01/00	01.1			
1064H	NOV 01/00	01.1			
1064I	NOV 01/00	01.1			
1064J	NOV 01/00	01.1			
1064K	NOV 01/00	01.1			
1064L	NOV 01/00	01.1			
1064M	NOV 01/00	01.1			
1064N	NOV 01/00	01.1			
1064O	NOV 01/00	01.1			
1064P	NOV 01/00	01.1			
1064Q	NOV 01/00	01.1			
1064R	NOV 01/00	01.1			
1064S	NOV 01/00	01.1			
1064T	NOV 01/00	01.1			
1064U	NOV 01/00	01.1			
1064V	BLANK				

\* = REVISED, ADDED OR DELETED

**57-43-45**

EFFECTIVE PAGES  
 LAST PAGE Page 7  
 01 Nov 01/01

TABLE OF CONTENTS

<u>Paragraph Title</u>	<u>Page</u>
Description and Operation . . . . .	1
Testing and Trouble Shooting (not applicable)	
Disassembly. . . . .	301
Cleaning . . . . .	401
Check. . . . .	501
Repair . . . . .	601
Assembly . . . . .	701
Fits and Clearances. . . . .	801
Special Tools. . . . .	901
Illustrated Parts List . . . . .	1001

**57-43-45**

CONTENTS

Page 1

Jun 01/97

01.1

## INTRODUCTION

The instructions in this manual provide the information necessary to perform maintenance functions ranging from simple checks and replacement to complete shop-type repair.

This manual is divided into separate sections:

- |   |                              |
|---|------------------------------|
| 1. Title Page                                       | 4. List of Effective Pages   |
| 2. Record of Revisions                              | 5. Table of Contents         |
| 3. Temporary Revisions &<br>Service Bulletin Record | 6. Introduction              |
|   | 7. Procedures & IPL Sections |

Refer to the Table of Contents for the page location of applicable sections. An asterisked flagnote \*[ ] in place of the page number indicates that no special instructions are provided since the function can be performed using standard industry practices.

The beginning of the REPAIR section includes a list of the separate repairs, a list of applicable standard Boeing practices, and an explanation of the True Position Dimensioning symbols used.

An explanation of the use of the Illustrated Parts List is provided in the Introduction to that section.

All weights and measurements used in the manual are in English units, unless otherwise stated. When metric equivalents are given they will be in parentheses following the English units.

Design changes, optional parts, configuration differences and Service Bulletin modifications create alternate part numbers. These are identified in the Illustrated Parts List (IPL) by adding an alphabetical character to the basic item number. The resulting item number is called an alpha-variant. Throughout the manual, IPL basic item number references also apply to alpha-variants unless otherwise indicated.

**57-43-45**

INTRODUCTION

01.1

Page 1

Jun 01/97

WING LEADING EDGE OUTBOARD SLAT NO. 2 AND NO. 11 STRUCTURE ASSEMBLY

DESCRIPTION AND OPERATION

1. Description

- A. The wing leading edge outboard slat No. 2 and No. 11 structure assembly consists of seal installations, panel assemblies, rib assemblies, a nose beam assembly and a trailing edge wedge assembly.

2. Operation

- A. The wing leading edge outboard slat structure is a moveable auxiliary air foil attached to the wing leading edge. The slat moves in coordination with the flaps. When the slat is not activated, it forms part of the normal contour of the wing. When the slat is activated, the basic air foil shape of the wing is changed. This change in air foil shape causes a change in the pressure distribution over the wing which results in increased lift.

3. Leading Particulars (Approx)

- A. Length -- 160 inches
- B. Width -- 24 inches
- C. Thickness -- 5.5 inches
- D. Weight -- 98 pounds (each)

57-43-45

DESCRIPTION & OPERATION

01.1

Page 1

Jun 01/97

DISASSEMBLY

1. Use standard industry practices for disassembly of this component.

NOTE: Disassemble this component only as necessary to complete fault isolation, determine the serviceability of parts, perform required repairs, and restore the unit to serviceable condition.

**57-43-45**

DISASSEMBLY

01.1

Page 301

Jun 01/97

CLEANING

CAUTION: DO NOT VAPOR DEGREASE GRAPHITE/ARAMID EPOXY STRUCTURES WITH CHLORINATED CLEANING AGENTS SUCH AS METHYLENE CHLORIDE, TRICHLOROETHYLENE, AND TRICHLOROETHANE. CHLORINATED CLEANING AGENTS WILL CAUSE DAMAGE TO GRAPHITE/ARAMID EPOXY STRUCTURES.

CAUTION: 1,1,1-TRICHLOROETHANE IS ONE OF THE SOLVENTS ALLOWED FOR CLEANING COMPOSITE COMPONENTS. DO NOT SUBMERGE PARTS IN THE SOLVENT OR ALLOW STANDING SOLVENT ON THE PARTS OR DAMAGE MAY OCCUR. USE 1,1,1-TRICHLOROETHANE ONLY AS A WIPE SOLVENT.

1. Clean all parts in accordance with standard industry practices (Ref 20-30-03) except for graphite/aramid epoxy structures.

57-43-45

CLEANING  
Page 401  
Jun 01/97

01.1



CHECK

1. Examine all parts for defects by standard industry practices. Refer to Fits and Clearances for design dimensions and wear limits. Do the magnetic particle check or penetrant check only if the visual check finds possible defects.
2. Do a visual check of the honeycomb and the bonded parts for signs of delamination, internal water, scratches, and contour defects.
  - A. If you see delamination or impact damage, do an ultrasonic inspection or do a tap test to find all of the damage.

**NOTE:** For the tap test, use a solid metal disk and tap the surface area lightly but firmly. A dull sound indicates a void area. A sharp ringing sound indicates a solid bonded area. Refer to the 767 Nondestructive Test Manual, Part 1, 51-05-01.
  - B. For areas that you suspect contain water, examine them radiographically or by thermography as shown in the 767 Nondestructive Test Manual, Part 9, 51-00-01.
  - C. Examine the edges of the panels carefully for cuts and abrasions. Delamination starts very easily from damage to an exposed edge of the honeycomb panel.
3. Refer to 767 Structural Repair Manual, 57-43-00, for allowable damage data.
4. Penetrant check per SOPM 20-20-02 -- Ribs (490, 492, 532, 534, 536A, 574, 576, 614, 616, 718, 720, 722, 724, IPL Fig. 2), Auxiliary arms (680, 682, 684, 686, 700, 702, 704, 706, IPL Fig. 2), fittings (581, 583, 591, 593, IPL Fig. 2) ribs (452, 454, 456, 458, 494, 496, 532, 534, 576, 578, 580, 582, IPL Fig. 3), fittings (505, 506A, 511, 512A, IPL Fig. 3), ribs (478, 480, 482, 484, 524, 526, 546, 548, 594, 596, 598, 600, IPL Fig. 4).
5. Magnetic particle check per SOPM 20-20-01, class C -- Fittings (382, 384).

57-43-45

CHECK

01.1

Page 501

Mar 01/00

REPAIR – GENERAL

1. Content

A. Repair, refinish and replacement procedures are included in separate repair sections as follows:

<u>P/N</u>	<u>NAME</u>	<u>REPAIR</u>
114T4602 114T4603	ACTUATOR RIB ASSEMBLY	1-1
114T4188	PIVOT FITTING ASSEMBLY	2-1
114T4189	PIVOT FITTING ASSEMBLY	3-1
114T4140	AUXILIARY ARM ASSEMBLY	4-1
114T4602 114T4603	ACTUATOR RIB ASSEMBLY	5-1
114T4402	MAIN TRACK RIB ASSEMBLY	6-1
114T4403	MAIN TRACK RIB ASSEMBLY	7-1
114T4514 114T4515	AUXILIARY RIB ASSEMBLY	8-1
--	MISCELLANEOUS PARTS REFINISH	9-1
114T4180	DELETED	10-1, 10-2
114T4102	OUTBOARD SLAT NO. 2, 11 STRUCTURE ASSEMBLY	11-1

## 2. Standard Practices

- A. Refer to the following standard practices as applicable, for details of procedures in individual repairs.

20-10-03 Shot Peening  
20-20-01 Magnetic Particle Inspection  
20-20-02 Penetrant Methods of Inspection  
20-30-03 General Cleaning Procedures  
20-41-01 Decoding Table for Boeing Finish Codes  
20-41-02 Application of Chemical and Solvent Resistant Finishes  
20-43-01 Chromic Acid Anodizing  
20-43-03 Chemical Conversion Coatings for Aluminum  
20-42-05 Bright Cadmium Plating  
20-50-03 Bearing Installation and Retention  
20-60-02 Finishing Materials  
20-60-04 Miscellaneous Materials

## 3. Materials

NOTE: Equivalent substitutes can be used.

- A. Primer -- BMS 10-11, Type 1 (Ref 20-60-02)  
B. Sealant -- BMS 5-95 (Ref 20-60-04)  
C. Enamel -- BMS 10-60 Gloss, BAC707 Gray (Ref 20-60-02)  
D. Primer -- BMS 10-79, Type 1 (Ref 20-60-02)

## 4. Dimensioning Symbols

- A. Standard True Positioning Dimensioning Symbols used in applicable Repair procedures are shown in Fig. 601.

**57-43-45**

REPAIR-GENERAL

01.1

Page 602

Jun 01/97

—	STRAIGHTNESS	$\oplus$	THEORETICAL EXACT POSITION OF A FEATURE (TRUE POSITION)
$\square$	FLATNESS	$\varnothing$	DIAMETER
$\perp$	PERPENDICULARITY (OR SQUARENESS)	S $\varnothing$	SPHERICAL DIAMETER
//	PARALLELISM	R	RADIUS
$\bigcirc$	ROUNDNESS	SR	SPHERICAL RADIUS
$\bigcirc$	CYLINDRICITY	( )	REFERENCE
$\frown$	PROFILE OF A LINE	BASIC (BSC)	A THEORETICALLY EXACT DIMENSION USED TO DESCRIBE SIZE, SHAPE OR LOCATION OF A FEATURE FROM WHICH PERMISSIBLE VARIATIONS ARE ESTABLISHED BY TOLERANCES ON OTHER DIMENSIONS OR NOTES.
$\triangle$	PROFILE OF A SURFACE	OR	
$\odot$	CONCENTRICITY	<b>DIM</b>	
$\equiv$	SYMMETRY	<b>-A-</b>	DATUM
$\sphericalangle$	ANGULARITY	$\textcircled{M}$	MAXIMUM MATERIAL CONDITION (MMC)
$\nearrow$	RUNOUT	$\textcircled{L}$	LEAST MATERIAL CONDITION (LMC)
$\nearrow$	TOTAL RUNOUT	$\textcircled{S}$	REGARDLESS OF FEATURE SIZE (RFS)
$\sqcup$	COUNTERBORE OR SPOTFACE	$\textcircled{P}$	PROJECTED TOLERANCE ZONE
$\nabla$	COUNTERSINK	FIM	FULL INDICATOR MOVEMENT

**EXAMPLES**

$\boxed{-0.002}$	STRAIGHT WITHIN 0.002	$\boxed{\textcircled{\oplus} \varnothing 0.0005 \text{ C}}$	CONCENTRIC TO C WITHIN 0.0005 DIAMETER
$\boxed{\perp 0.002 \text{ B}}$	PERPENDICULAR TO B WITHIN 0.002	$\boxed{\equiv 0.010 \text{ A}}$	SYMMETRICAL WITH A WITHIN 0.010
$\boxed{\parallel 0.002 \text{ A}}$	PARALLEL TO A WITHIN 0.002	$\boxed{\sphericalangle 0.005 \text{ A}}$	ANGULAR TOLERANCE 0.005 WITH A
$\boxed{\bigcirc 0.002}$	ROUND WITHIN 0.002	$\boxed{\oplus \varnothing 0.002 \text{ S B}}$	LOCATED AT TRUE POSITION WITHIN 0.002 DIA RELATIVE TO DATUM B, REGARDLESS OF FEATURE SIZE
$\boxed{\bigcirc 0.010}$	CYLINDRICAL SURFACE MUST LIE BETWEEN TWO CONCENTRIC CYLINDERS, ONE OF WHICH HAS A RADIUS 0.010 INCH GREATER THAN THE OTHER	$\boxed{\perp \varnothing 0.010 \text{ M A}}$ $\boxed{0.510 \text{ P}}$	AXIS IS TOTALLY WITHIN A CYLINDER OF 0.010-INCH DIAMETER, PERPENDICULAR TO, AND EXTENDING 0.510-INCH ABOVE, DATUM A, MAXIMUM MATERIAL CONDITION
$\boxed{\frown 0.006 \text{ A}}$	EACH LINE ELEMENT OF THE SURFACE AT ANY CROSS SECTION MUST LIE BETWEEN TWO PROFILE BOUNDARIES 0.006 INCH APART RELATIVE TO DATUM PLANE A	$\boxed{2.000}$	THEORETICALLY EXACT DIMENSION IS 2.000
$\boxed{\triangle 0.020 \text{ A}}$	SURFACES MUST LIE WITHIN PARALLEL BOUNDARIES 0.02 INCH APART AND EQUALLY DISPOSED ABOUT TRUE PROFILE	OR 2.000 BSC	
<b>NOTE:</b> DATUM MAY APPEAR AT EITHER SIDE OF TOLERANCE FRAME		$\boxed{0.020 \text{ A}}$ $\boxed{\text{A} 0.020}$	

True Position Dimensioning Symbols  
 Figure 601

ACTUATOR RIB ASSEMBLY – REPAIR 1-1

114T4602-5, -6, -17, -18  
114T4603-5, -6, -17, -18

NOTE: Refer to REPAIR-GEN for list of applicable standard practices.

1. Bushing Replacement (478A, 518, 520, 520A, IPL Fig. 2)

- A. Remove bushings.
- B. Install bushings per 20-50-03 with wet BMS 5-95, class B sealant.
- C. Machine bushings per Fig. 601.
- D. Fillet seal bushing flanges with BMS 5-95, class B sealant.

2. Repair

- A. Repair hole for bushing (478, 478A, 518, 520, 520A).
  - (1) Machine rib (490, 492, 532, 534, 536), as required to remove discrepancies, per Fig. 601.
  - (2) Penetrant check per 20-20-02.
  - (3) Refinish per 3.A..
  - (4) Fabricate oversize bushing(s) per Fig. 602 and 603.

3. Refinish

- A. Rib (490, 492, 532, 532A, 534, 536A) -- Chromic acid anodize, type 1 and apply one coat of BMS 10-11, type 1 primer (F-18.13). Chromic acid anodize, type 1 only in bushing installation hole (F-17.04) or optional manual application of color chemical coating only in bushing installation hole (F-17.10). Material: Al alloy.
- B. Shim (530) -- Treat surface, colored coating. Apply one coat of BMS 10-11, type 1 primer (F-18.06). Optional: Manual application of colored coating (F-17.10) and apply one coat of BMS 10-11, type 1 primer (F-20.02).

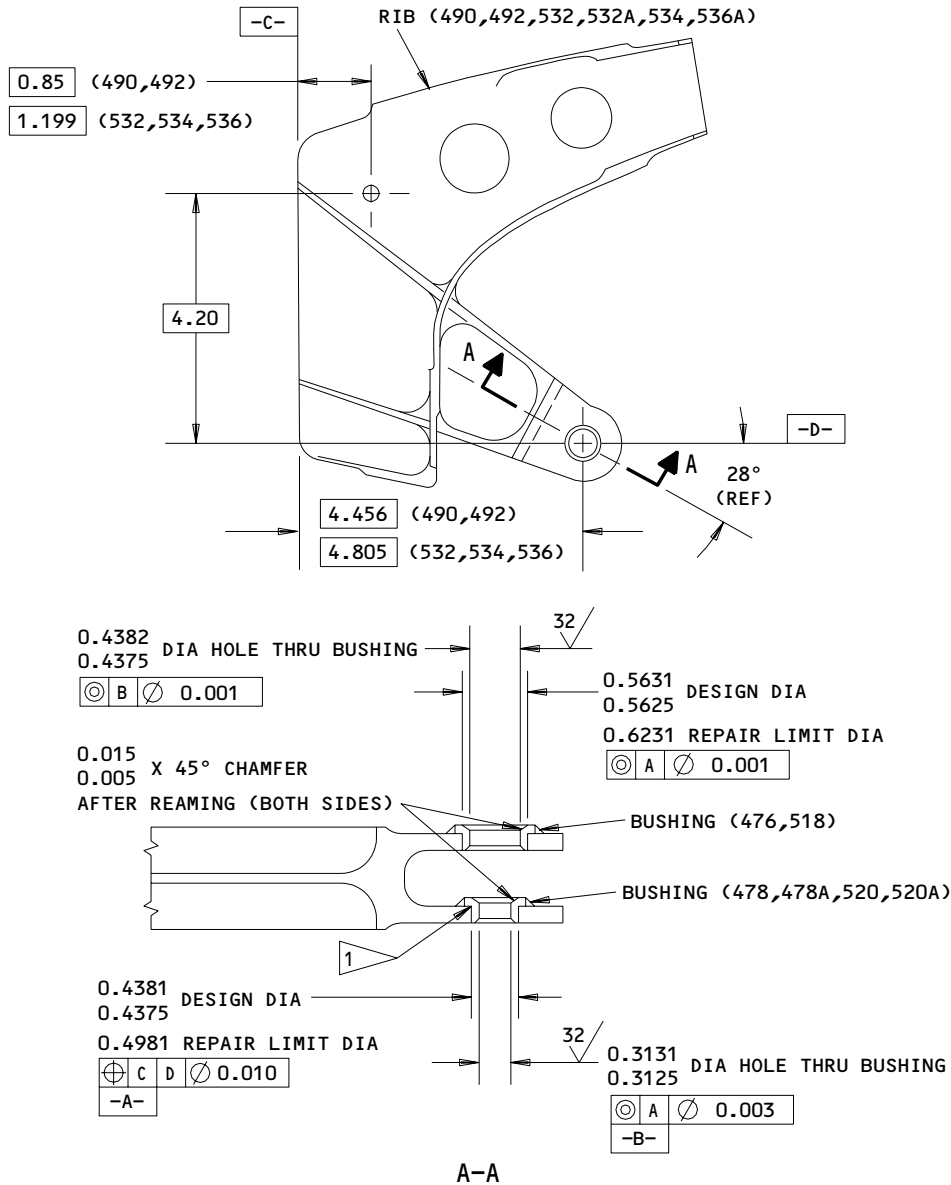
**57-43-45**

REPAIR 1-1

01.1

Page 601

Jun 01/97



TOLERANCE: ANGLE  $\pm 1/4^\circ$

**1** BREAK BORE IN HOUSING 0.005-0.010 TO PREVENT INTERFERENCE WITH BUSHING FLANGE RADIUS

**REPAIR**

63 ALL MACHINED SURFACES EXCEPT AS NOTED

MATERIAL: ALUMINUM ALLOY

ITEM NUMBERS REFER TO IPL FIG. 2

ALL DIMENSIONS ARE IN INCHES

114T4602-5,-6,-17,-18  
 114T4603-5,-6,-17,-18

Actuator Rib Assembly - Repair  
 Figure 601

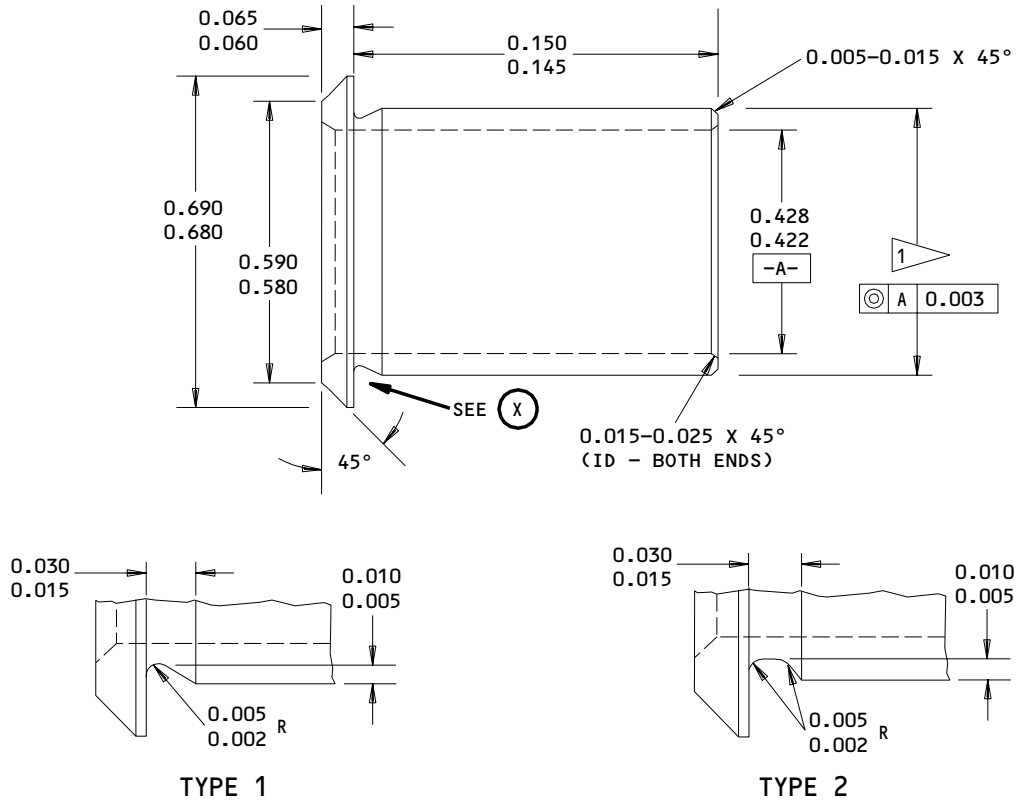
**57-43-45**

REPAIR 1-1

Page 602

Jun 01/97

01.1



UNDERCUT TYPE 1 OR TYPE 2 OPTIONAL



1 FINAL BUSHING OUTSIDE DIA EQUALS REPAIR DIA OF FITTING PLUS 0.0005-0.0017 INTERFERENCE

ALL DIMENSIONS ARE IN INCHES

DIMENSIONS APPLY AFTER PLATING

63 ALL MACHINED SURFACES, EXCEPT AS NOTED  
 ANGULAR TOLERANCE,  $\pm 0.50$  DEG

MATERIAL: AL-NI-BR PER AMS 4640

FINISH: CADMIUM PLATE PER 20-42-05, TYPE 2, CLASS 2. PLATING IN BORE OPTIONAL.

Oversize Bushing (476,518, IPL Fig. 2; REF) Details  
 Figure 602

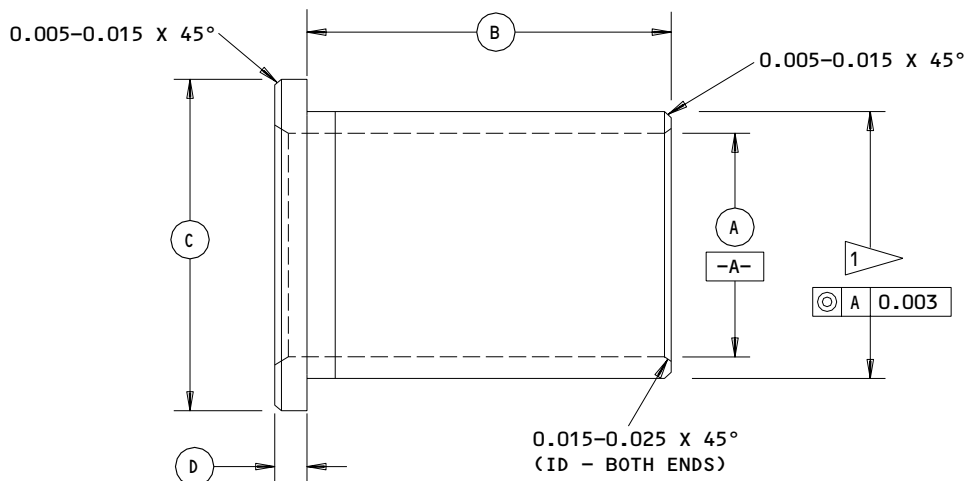
**57-43-45**

REPAIR 1-1

01.1

Page 603

Jun 01/97



ORIGINAL BUSHING NO. (REF)	A	B	C	D
478, IPL FIG. 2	0.303	0.140	0.610	0.065
520, IPL FIG. 2	0.297	0.135	0.600	0.060
478A, IPL FIG. 2	0.303	0.140	0.610	0.115
520A, IPL FIG. 2	0.297	0.135	0.600	0.110

1 FINAL BUSHING OUTSIDE DIA EQUALS REPAIR DIA OF FITTING PLUS 0.0003-0.0015 INTERFERENCE

ALL DIMENSIONS ARE IN INCHES

DIMENSIONS APPLY AFTER PLATING

63 ALL MACHINED SURFACES, EXCEPT AS NOTED  
 ANGULAR TOLERANCE, ±0.50 DEG

CHECK: MAGNETIC PARTICLE PER 20-20-01 AFTER MACHINING

MATERIAL: 15-5PH CRES, 180-200 KSI

FINISH: CADMIUM PLATE PER 20-42-05, TYPE 2, CLASS 2. PLATING IN BORE OPTIONAL

Oversize Bushing Details  
 Figure 603

**57-43-45**

REPAIR 1-1

01.1

Page 604

Jun 01/97



PIVOT FITTING ASSEMBLY – REPAIR 2-1

114T4188-1, -2

NOTE: Refer to REPAIR-GEN for list of applicable standard practices.

1. Bushing Replacement (579, 580A, IPL Fig. 2; 503, 504A, IPL Fig. 3)
  - A. Remove bushings.
  - B. Install bushings per 20-50-03 with wet BMS 5-95, class B sealant.
  - C. Machine bushings per Fig. 601.
  - D. Fillet seal bushing flanges with BMS 5-95, class B sealant.
2. Repair
  - A. Repair hole for bushing (579, 580A, IPL Fig. 2; 503, 504A, IPL Fig. 3).
    - (1) Machine fitting (581, 583, IPL Fig. 2; 505, 506A, IPL Fig. 3), as required to remove discrepancies, per Fig. 601.
    - (2) Penetrant check per 20-20-02.
    - (3) Shot peen bore(s) per 20-10-03 and Fig. 601.
    - (4) Refinish per 3.A..
    - (5) Fabricate oversize bushing(s) per Fig. 602 and 603.
3. Refinish
  - A. Fitting (581, 583, IPL Fig. 2; 505, 506A, IPL Fig. 3) -- Chromic acid anodize, type 1 (F-17.04) and apply one coat of BMS 10-11, type 1 primer (F-20.02) except no primer in bushing installation holes. Material: Al alloy.
  - B. Deleted

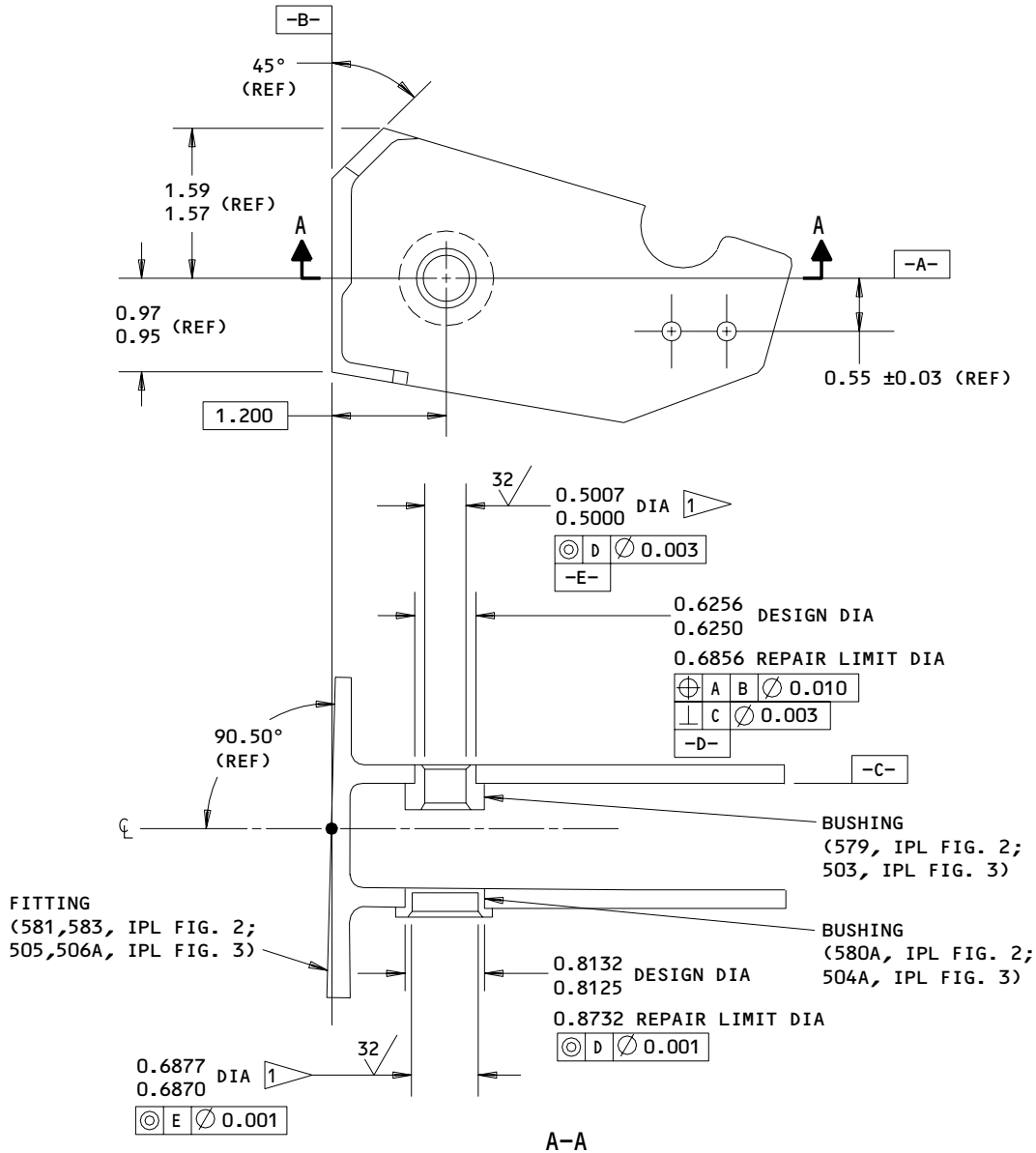
**57-43-45**

REPAIR 2-1

01.1

Page 601

Jun 01/97



ANGULAR TOLERANCE 0.25°

1 CHAMFER 0.015 x 45.25°  
 0.005 x 44.75°  
 (ID - BOTH ENDS)  
 AFTER REAMING

**REPAIR**

63/ ALL MACHINED SURFACES EXCEPT AS NOTED

SHOT PEEN (MANUAL PEED OPTIONAL):  
 0.023-0.055 SHOT SIZE  
 0.006 A INTENSITY  
 2.0 COVERAGE

MATERIAL: ALUMINUM ALLOY  
 ALL DIMENSIONS ARE IN INCHES

114T4188-1,-2  
 Pivot Fitting Assembly - Repair  
 Figure 601

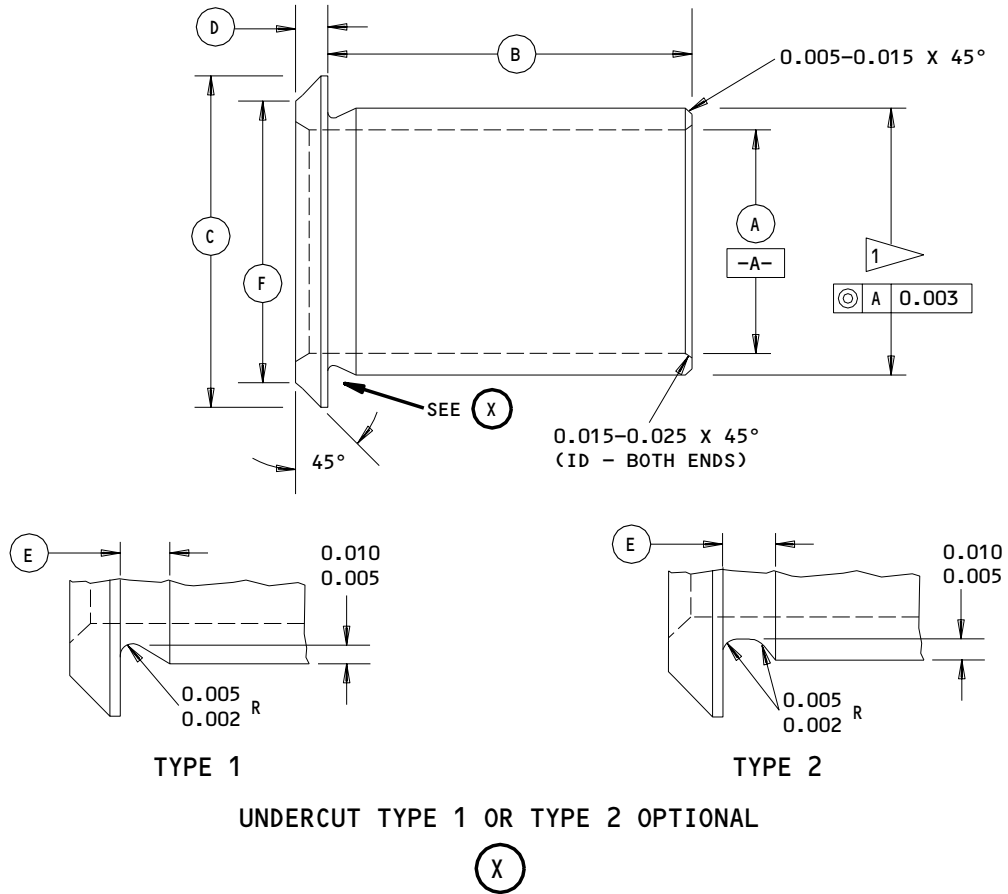
**57-43-45**

REPAIR 2-1

01.1

Page 602

Jun 01/97



ORIGINAL BUSHING NO. (REF)	(A)	(B)	(C)	(D)	(E)	(F)	INTERFERENCE
580A, IPL FIG. 2	0.678	0.200	0.960	0.074	0.030	0.860	0.0005-0.0019
504A, IPL FIG. 3	0.672	0.195	0.950	0.069	0.015	0.850	

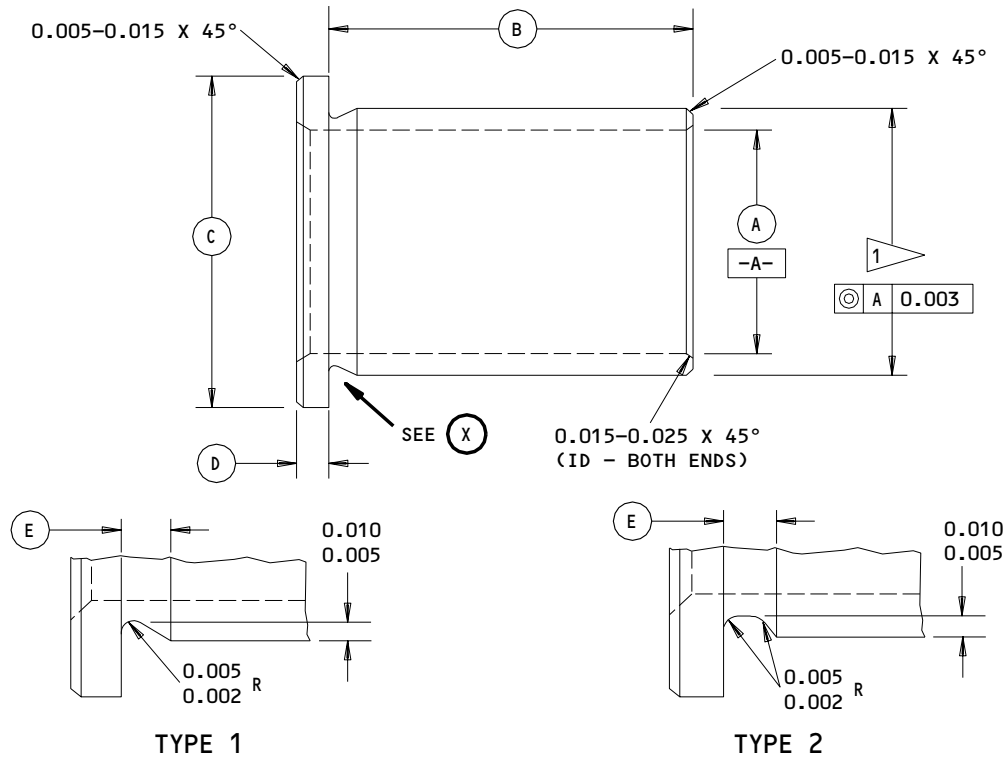
1 FINAL BUSHING OUTSIDE DIA EQUALS REPAIR DIA OF FITTING PLUS INTERFERENCE

63 ALL MACHINED SURFACES, EXCEPT AS NOTED  
 ANGULAR TOLERANCE, ±0.50 DEG

ALL DIMENSIONS ARE IN INCHES  
 DIMENSIONS APPLY AFTER PLATING

MATERIAL: AL-NI-BR PER AMS 4640  
 FINISH: CADMIUM PLATE PER 20-42-05, TYPE 2, CLASS 2. PLATING IN BORE OPTIONAL

Oversize Bushing Details  
 Figure 602



UNDERCUT TYPE 1 OR TYPE 2 OPTIONAL

(X)

ORIGINAL BUSHING NO. (REF)	(A)	(B)	(C)	(D)	(E)	INTERFERENCE
579, IPL FIG. 2	0.491	0.190	0.870	0.265	0.030	0.0005-0.0017
503, IPL FIG. 3	0.484	0.185	0.860	0.260	0.015	

1 FINAL BUSHING OUTSIDE DIA EQUALS REPAIR DIA OF FITTING PLUS INTERFERENCE

63/ ALL MACHINED SURFACES, EXCEPT AS NOTED  
 ANGULAR TOLERANCE, ±0.50 DEG

ALL DIMENSIONS ARE IN INCHES  
 DIMENSIONS APPLY AFTER PLATING

CHECK: MAGNETIC PARTICLE PER 20-20-01  
 AFTER MACHINING

MATERIAL: 15-5PH CRES, 180-200 KSI

FINISH: CADMIUM PLATE PER 20-42-05, TYPE 2,  
 CLASS 2. PLATING IN BORE OPTIONAL

Oversize Bushing Details  
 Figure 603

**57-43-45**

REPAIR 2-1

01.1

Page 604

Jun 01/97

PIVOT FITTING ASSEMBLY – REPAIR 3-1

114T4189-1, -2

NOTE: Refer to REPAIR-GEN for list of applicable standard practices.

1. Bushing Replacement (587, 589, IPL Fig. 2; 509, 510A, IPL Fig. 3)
  - A. Remove bushings.
  - B. Install bushings per 20-50-03 with wet BMS 5-95, class B sealant.
  - C. Machine bushings per Fig. 601.
  - D. Fillet seal bushing flanges with BMS 5-95, class B sealant.
2. Repair
  - A. Repair hole for bushing (587, 589, IPL Fig. 2; 509, 510A, IPL Fig. 3)
    - (1) Machine fitting (591, 593, IPL Fig. 2; 511, 512A, IPL Fig. 3), as required to remove discrepancies, per Fig. 601.
    - (2) Penetrant check per 20-20-02.
    - (3) Shot peen bore(s) per 20-10-03 and Fig. 601.
    - (4) Refinish per 3.A..
    - (5) Fabricate oversize bushing(s) per Fig. 602 and 603.
3. Refinish
  - A. Fitting (591, 593, IPL Fig. 2; 511, 512A, IPL Fig. 3) -- Chromic acid anodize, type 1 (F-17.04) and apply BMS 10-11, type 1 primer (F-20.02). Omit primer in bushing holes. Material: Al alloy.

**57-43-45**

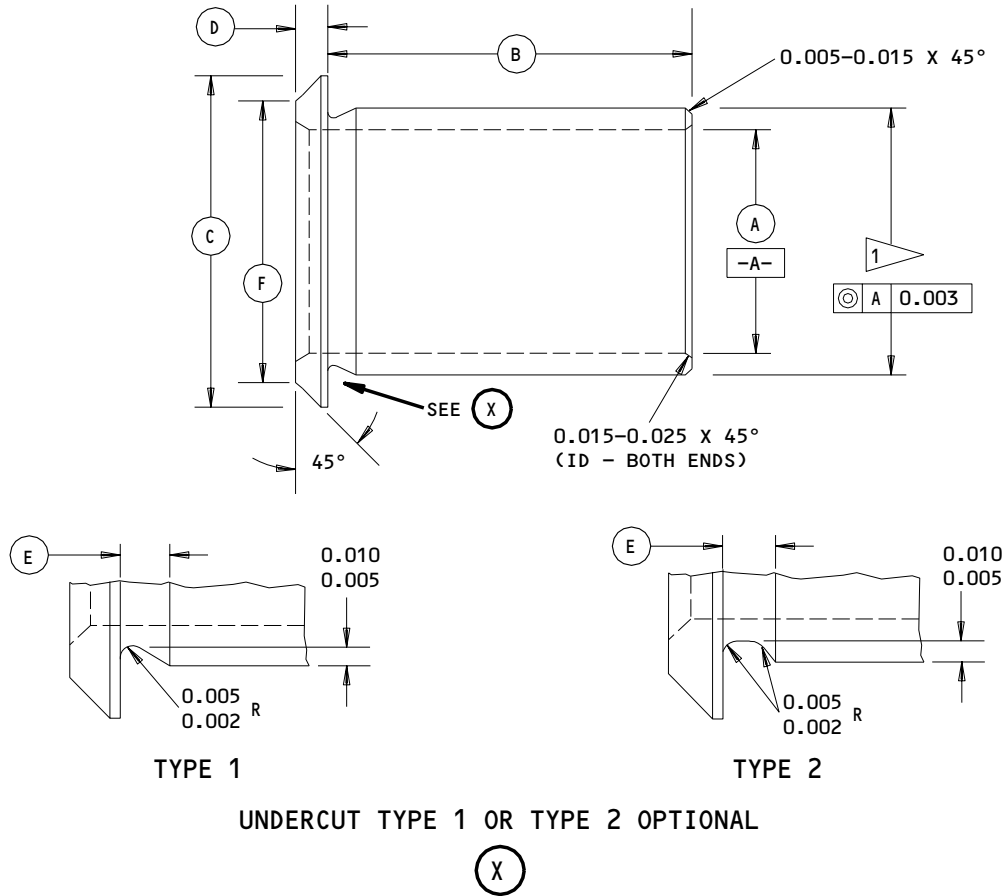
REPAIR 3-1

01.1

Page 601

Jun 01/97





ORIGINAL BUSHING NO. (REF)	(A)	(B)	(C)	(D)	(E)	(F)	INTERFERENCE
589, IPL FIG. 2	0.678	0.200	0.960	0.074	0.030	0.860	0.0005-0.0019
510A, IPL FIG. 3	0.672	0.195	0.950	0.069	0.015	0.850	

1 FINAL BUSHING OUTSIDE DIA EQUALS REPAIR DIA OF FITTING PLUS INTERFERENCE

63/ ALL MACHINED SURFACES, EXCEPT AS NOTED  
 ANGULAR TOLERANCE, ±0.50 DEG

ALL DIMENSIONS ARE IN INCHES

MATERIAL: AL-NI-BR PER AMS 4640

DIMENSIONS APPLY AFTER PLATING

FINISH: CADMIUM PLATE PER 20-42-05, TYPE 2,  
 CLASS 2. PLATING IN BORE OPTIONAL

Oversize Bushing Details  
 Figure 602

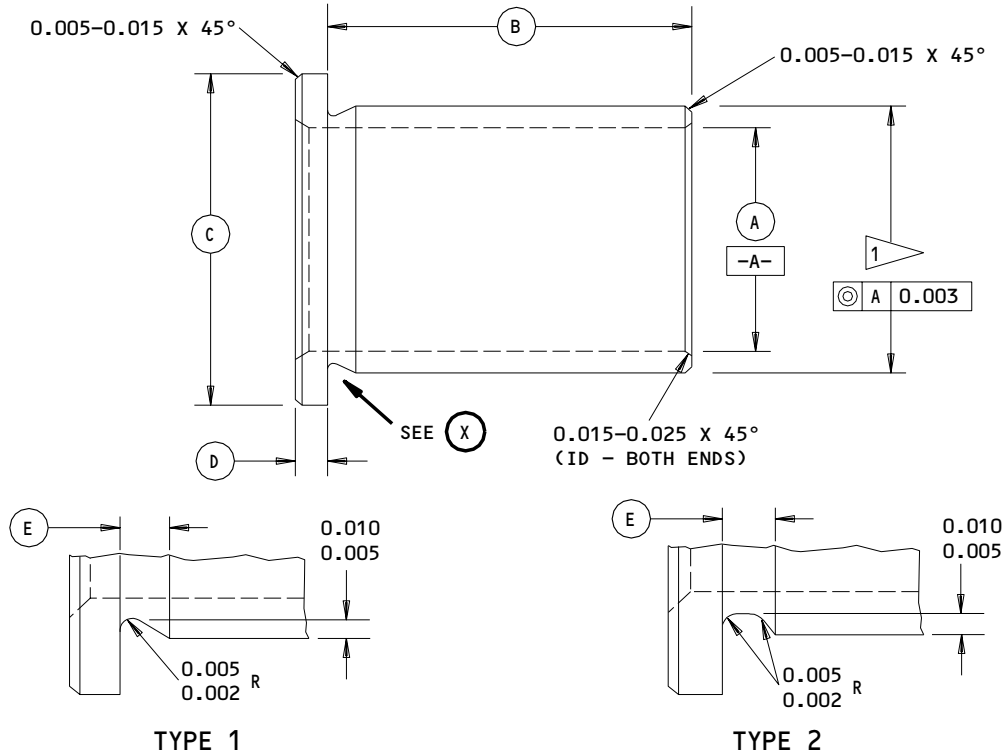
**57-43-45**

REPAIR 3-1

01.1

Page 603

Jun 01/97



UNDERCUT TYPE 1 OR TYPE 2 OPTIONAL

(X)

ORIGINAL BUSHING NO. (REF)	(A)	(B)	(C)	(D)	(E)	INTERFERENCE
587, IPL FIG. 2	0.491	0.190	0.870	0.265	0.030	0.0005-0.0017
509, IPL FIG. 3	0.484	0.185	0.860	0.260	0.015	

1 FINAL BUSHING OUTSIDE DIA EQUALS REPAIR DIA OF FITTING PLUS INTERFERENCE

63/ ALL MACHINED SURFACES, EXCEPT AS NOTED  
 ANGULAR TOLERANCE, ±0.50 DEG

ALL DIMENSIONS ARE IN INCHES

CHECK: MAGNETIC PARTICLE PER 20-20-01  
 AFTER MACHINING.

DIMENSIONS APPLY AFTER PLATING

MATERIAL: 15-5PH CRES, 180-200 KSI

FINISH: CADMIUM PLATE PER 20-42-05, TYPE 2,  
 CLASS 2. PLATING IN BORE OPTIONAL.

Oversize Bushing Details  
 Figure 603

**57-43-45**

REPAIR 3-1

01.1

Page 604

Jun 01/97



AUXILIARY ARM ASSEMBLY - REPAIR 4-1

114T4140-97, -98, -99, -100, -105, -106, -107, -108

NOTE: Refer to REPAIR-GEN for list of applicable standard practices.

1. Bushing Replacement (676A, 696A, IPL Fig. 2)

- A. Remove bushings.
- B. Check holes for bushings for damage or corrosion and repair, if necessary, per 2.
- C. Install bushings per 20-50-03 with wet BMS 5-95 sealant.
- D. Remove excess sealant with a clean cloth dampened with solvent.
- E. Machine bushings per Fig. 601 and 602.

2. Repair

- A. Repair hole for bushing (676A, 696A, IPL Fig. 2).
  - (1) Machine arm (680, 682, 684, 686, 700, 702, 704, 706), as required to remove discrepancies, per Fig. 601 and 602.
  - (2) Penetrant check per 20-20-02.
  - (3) Refinish per 3.A..
  - (4) Fabricate oversize bushing(s) per Fig. 603.

3. Refinish

- A. Arm (680, 682, 684, 686, 700, 702, 704, 706) -- Chromic acid anodize, Type 1 and apply BMS 10-11, Type 1 primer (F-18.13). No finish required in bushing installation holes. Material: Al alloy.

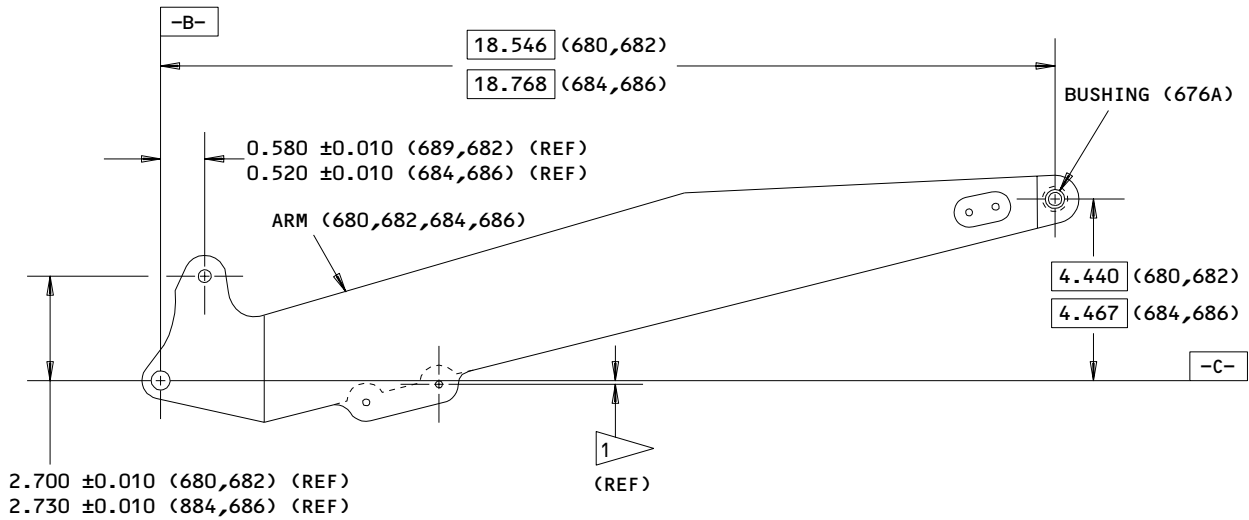
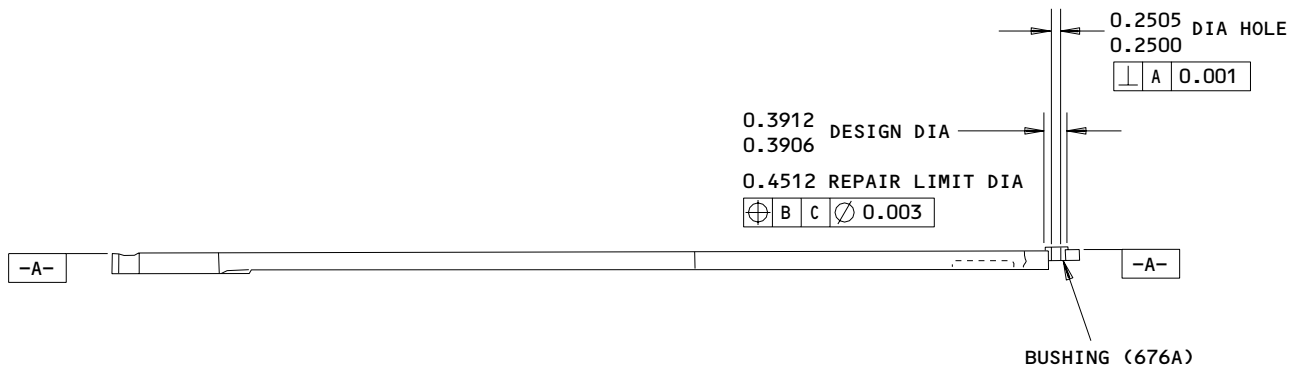
**57-43-45**

REPAIR 4-1

01.1

Page 601

Jun 01/97



TOLERANCE: ANGLE  $\pm 1/4^\circ$

1 0.08  $\pm 0.01$  ABOVE -A- FOR ARMS (680,682)  
 0.13  $\pm 0.02$  BELOW -A- FOR ARM (684,686)

REPAIR

63/ ALL MACHINED SURFACES EXCEPT AS NOTED

MATERIAL: ALUMINUM ALLOY

ITEM NUMBERS REFER TO IPL FIG. 2

ALL DIMENSIONS ARE IN INCHES

114T4140-97,-98,-105,-106

Arm Assembly - Repair  
 Figure 601

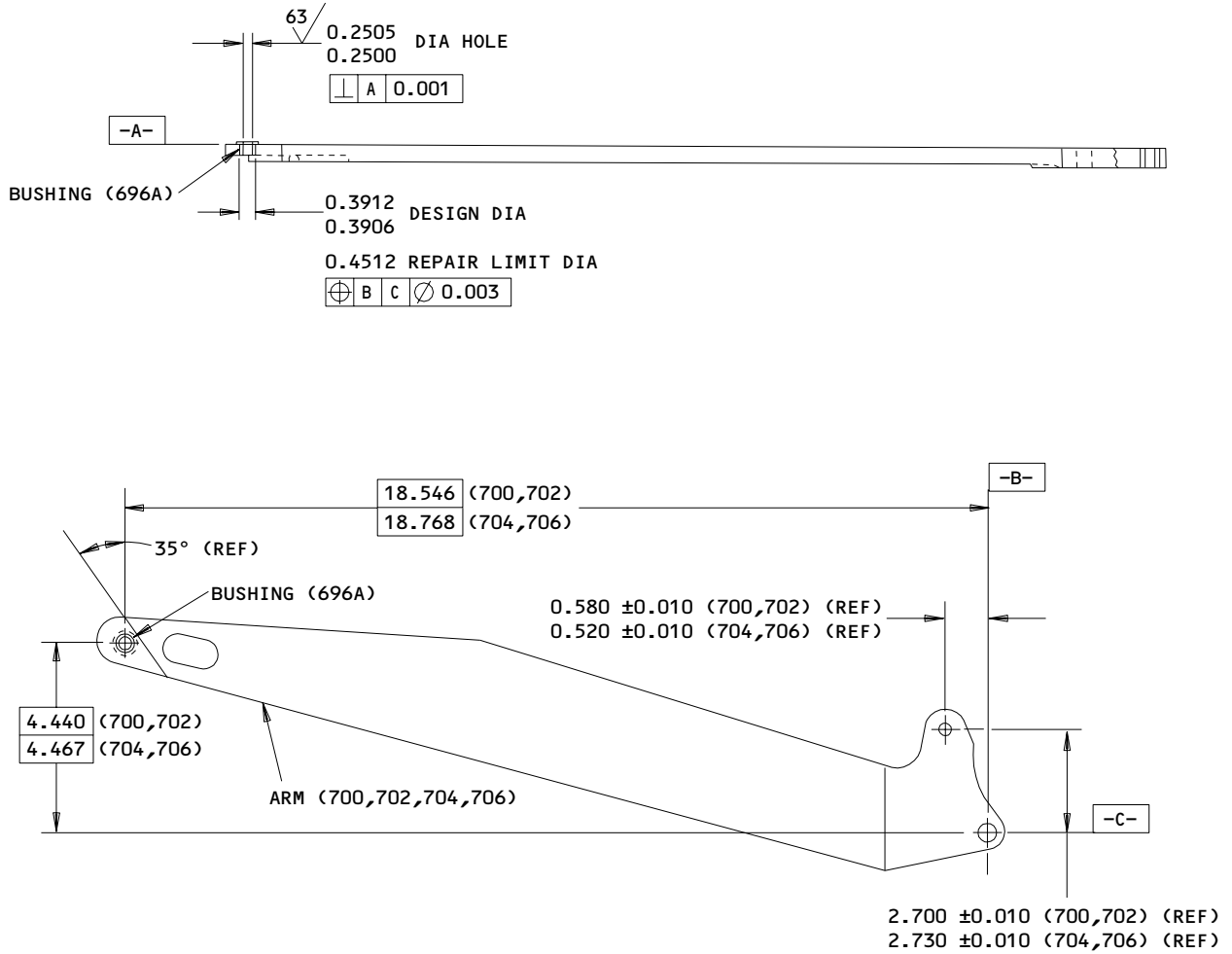
**57-43-45**

REPAIR 4-1

Page 602

Jun 01/97

01.1



TOLERANCE: ANGLE ±1/4°

REPAIR

63/ ALL MACHINED SURFACES EXCEPT AS NOTED

MATERIAL: ALUMINUM ALLOY

ITEM NUMBERS REFER TO IPL FIG. 2

ALL DIMENSIONS ARE IN INCHES

114T4140-99,-100,-107,-108  
 Arm Assembly - Repair  
 Figure 602

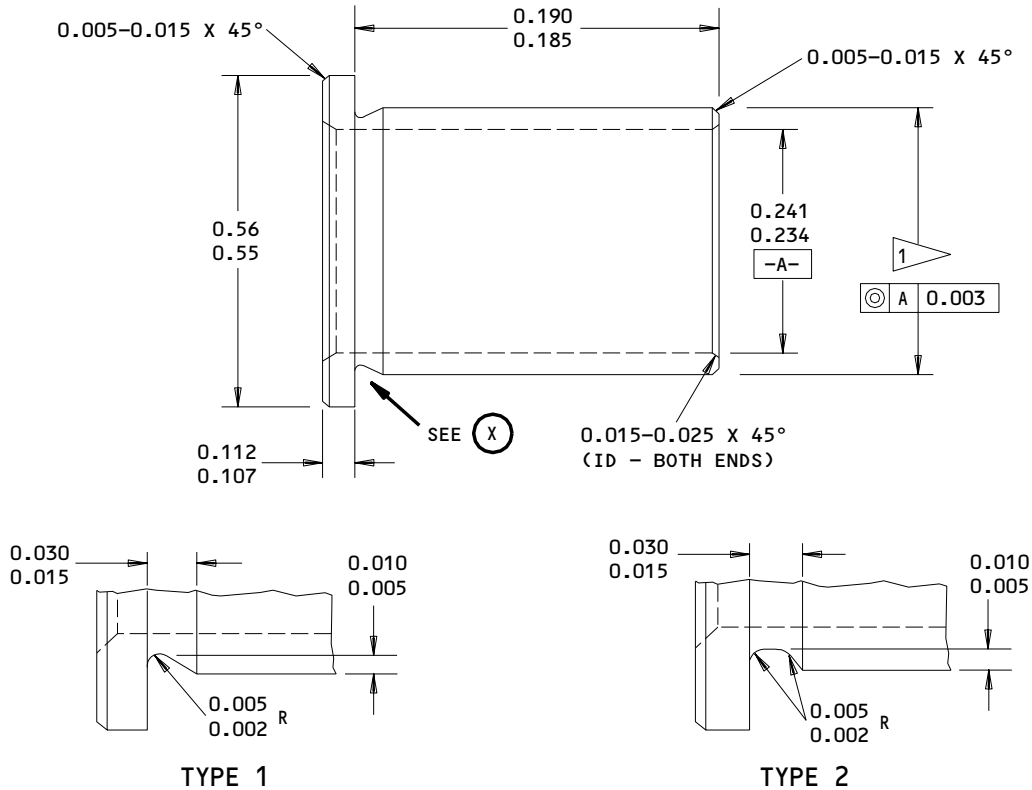
**57-43-45**

REPAIR 4-1

01.1

Page 603

Jun 01/97



UNDERCUT TYPE 1 OR TYPE 2 OPTIONAL



1 FINAL BUSHING OUTSIDE DIA EQUALS  
 REPAIR DIA OF FITTING PLUS  
 0.0003-0.0015 INTERFERENCE

ALL DIMENSIONS ARE IN INCHES

DIMENSIONS APPLY AFTER PLATING

63 ALL MACHINED SURFACES, EXCEPT AS NOTED

ANGULAR TOLERANCE,  $\pm 0.50$  DEG

CHECK: MAGNETIC PARTICLE PER 20-20-01  
 AFTER MACHINING

MATERIAL: 15-5PH CRES, 180-200 KSI

FINISH: CADMIUM PLATE PER 20-42-05, TYPE 2,  
 CLASS 2. PLATING IN BORE OPTIONAL

Oversize Bushing (676A, 696A, IPL Fig. 2; Ref) Details  
 Figure 603

**57-43-45**

REPAIR 4-1

01.1

Page 604

Jun 01/97

ACTUATOR RIB ASSEMBLY – REPAIR 5-1

114T4602-21, -22, -401, -402  
114T4603-21, -22, -401, -402

**NOTE:** Refer to REPAIR-GENERAL for a list of applicable standard practices.

**1. Bushing Replacement** (438, 440, IPL Fig. 3; 464, 464A, 466, 466A, IPL Fig. 4)

- A. Remove bushings from the rib (452, 454, 456, 458, IPL Fig. 3; 478, 478A, 480, 480A, 482, 482A, 484, 484A, IPL Fig. 4)
- B. Check the hole for damage or corrosion and if necessary, repair it as specified in par. 2.A.
- C. Install bushings as shown in SOPM 20-50-03 with wet BMS 5-95, class B sealant.
- D. Machine bushings as shown in Fig. 601 or 604.
- E. Fillet seal bushing flanges with BMS 5-95, class B sealant.

**2. Oversize Bushing Repair**

- A. Repair hole for bushing (438, 440, IPL Fig. 3; 464, 464A, 466, 466A, IPL Fig. 4).
  - (1) Machine the worn or damaged hole in the rib (452, 454, 456, 458, IPL Fig. 3; 478, 478A, 480, 480A, 484, 482A, 484, 484A, IPL Fig. 4) as necessary to remove defects, cracks, and/or corrosion, up the repair limit shown in Fig. 601 or 604.
  - (2) Do a penetrant check of the machined hole as specified by SOPM 20-20-02.
  - (3) Refinish the machined hole as specified in par. 3.A.
- B. Make an oversize bushing for bushing (438, 440, IPL Fig. 3; 464, 464A, 466, 466A, IPL Fig. 4) as shown in Fig. 602, 603, 605, or 606.

**57-43-45**

REPAIR 5-1

01.1

Page 601

Mar 01/00

C. Install the oversize bushing as shown in steps 1.C. thru 1.E.

3. Refinish

- A. Rib (452, 454, 456, 458, IPL Fig. 3; 478, 478A, 480, 480A, 482, 482A, 484, 484A, IPL Fig. 4) - Anodize (F-17.04) or (F-17.31) and apply one layer of BMS 10-11, Type 1 primer (F-20.02), except do not apply primer in the holes for the bushings. Operational For bushing holes and touch-up of small areas of bare metal, apply colored chemical coating (F-17.10) instead of anodize. Material: Al alloy.
- B. Shim (450, IPL Fig. 3; 486, IPL Fig. 4) -- Treat surface, colored coating. Apply one coat of BMS 10-11, type 1 primer (F-18.06).  
Optional: Manual application of colored coating (F-17.10) and apply one coat of BMS 10-11, type 1 primer (F-20-02).

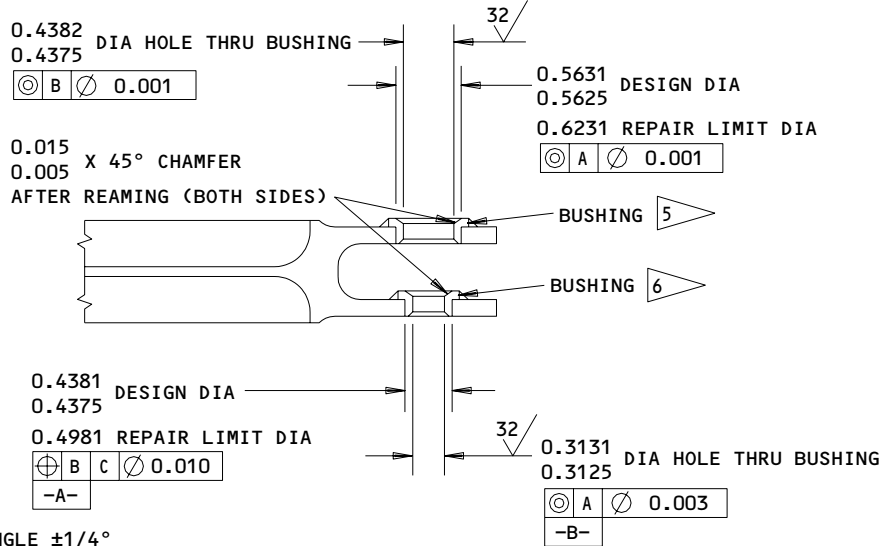
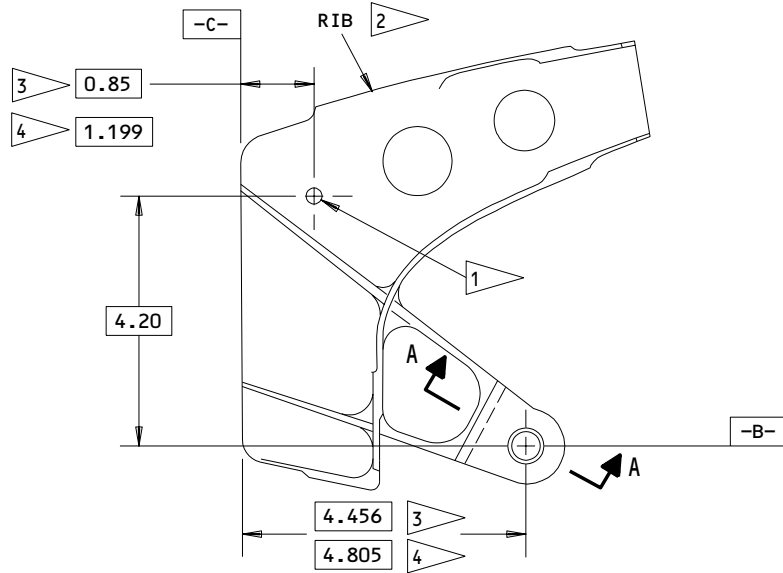
**57-43-45**

REPAIR 5-1

01.1

Page 602

Mar 01/00



TOLERANCE: ANGLE  $\pm 1/4^\circ$

1 TOOL HOLE (REF)  
 B C  $\varnothing 0.005$

- 2 452,454,456,458, IPL FIG. 3;  
478,480,482,484, IPL FIG. 4
- 3 452,454, IPL FIG. 3; 478,480 IPL FIG. 4
- 4 456,458, IPL FIG. 3; 482,484 IPL FIG. 4
- 5 438, IPL FIG. 3; 464, IPL FIG. 4
- 6 440, IPL FIG. 3; 466, IPL FIG. 4

**REPAIR**

63/ ALL MACHINED SURFACES UNLESS NOTED OTHERWISE

MATERIAL: ALUMINUM ALLOY

ITEM NUMBERS REFER TO IPL FIG. 3 AND 4

ALL DIMENSIONS ARE IN INCHES

114T4602-21,-22  
 114T4603-21,-22

Actuator Rib Assembly - Repair  
 Figure 601

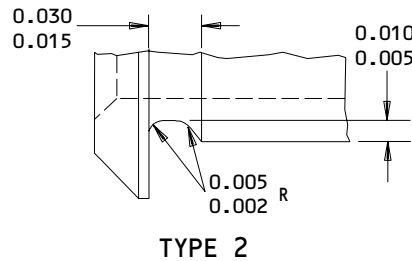
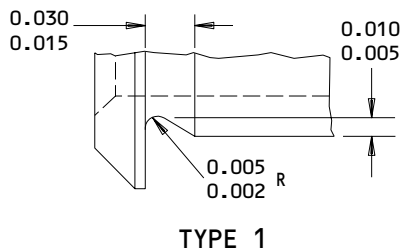
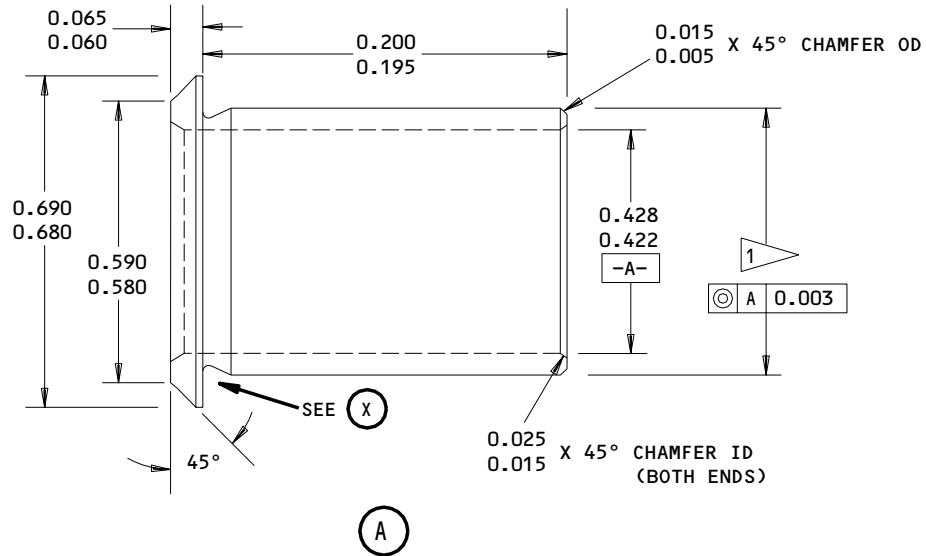
**57-43-45**

REPAIR 5-1

01.101

Page 603

Mar 01/00



UNDERCUT TYPE 1 OR TYPE 2 OPTIONAL

(A)

1 FINAL BUSHING OUTSIDE DIA EQUALS  
 REPAIR DIA OF FITTING PLUS  
 0.0005-0.0017 INTERFERENCE

63/ ALL MACHINED SURFACES, EXCEPT AS NOTED  
 ANGULAR TOLERANCE,  $\pm 0.50$  DEG

MATERIAL: AL-NI-BR

FINISH: CADMIUM PLATE PER 20-42-05, TYPE 2,  
 CLASS 2. PLATING IN BORE OPTIONAL

ALL DIMENSIONS ARE IN INCHES

DIMENSIONS APPLY AFTER PLATING

Oversize Bushing (438, IPL Fig. 3; 464, IPL Fig. 4; Ref) Details  
 Figure 602

**57-43-45**

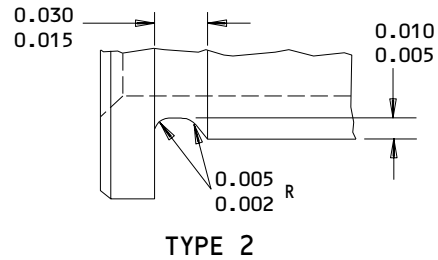
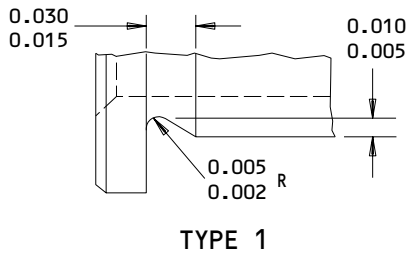
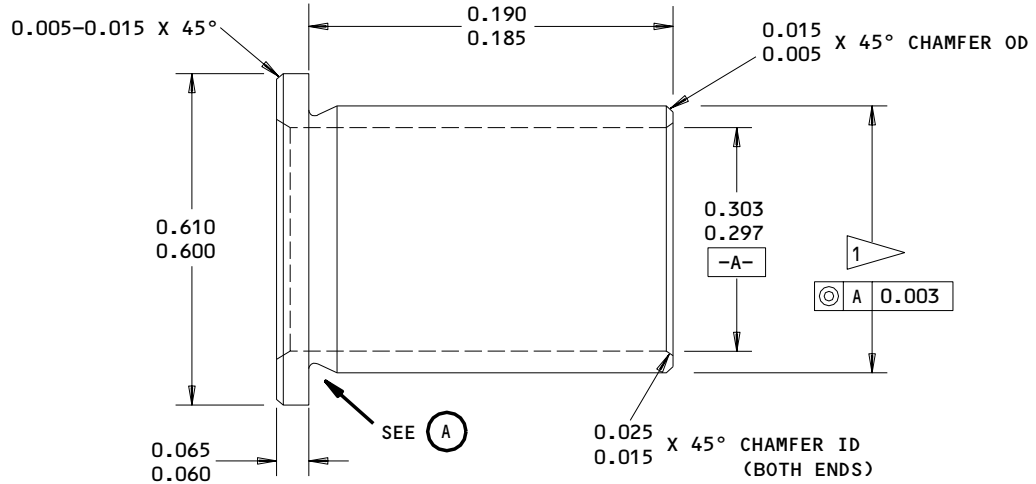
REPAIR 5-1

01.101

Page 604

Mar 01/00





UNDERCUT TYPE 1 OR TYPE 2 OPTIONAL

(A)

1 FINAL BUSHING OUTSIDE DIA EQUALS  
 REPAIR DIA OF FITTING PLUS  
 0.0003-0.0015 INTERFERENCE

63/ ALL MACHINED SURFACES, EXCEPT AS NOTED  
 ANGULAR TOLERANCE,  $\pm 0.50$  DEG  
 MATERIAL: 15-5PH CRES, 180-200 KSI  
 FINISH: CADMIUM PLATE PER 20-42-05, TYPE 2,  
 CLASS 2. PLATING IN BORE OPTIONAL  
 ALL DIMENSIONS ARE IN INCHES  
 DIMENSIONS APPLY AFTER PLATING

Oversize Bushing (440, IPL Fig. 3; 466, IPL Fig 4; Ref) Details  
 Figure 603

**57-43-45**

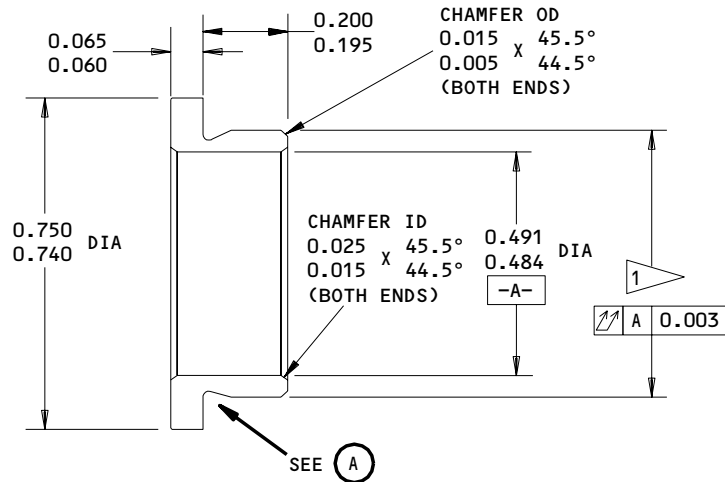
REPAIR 5-1

01.101

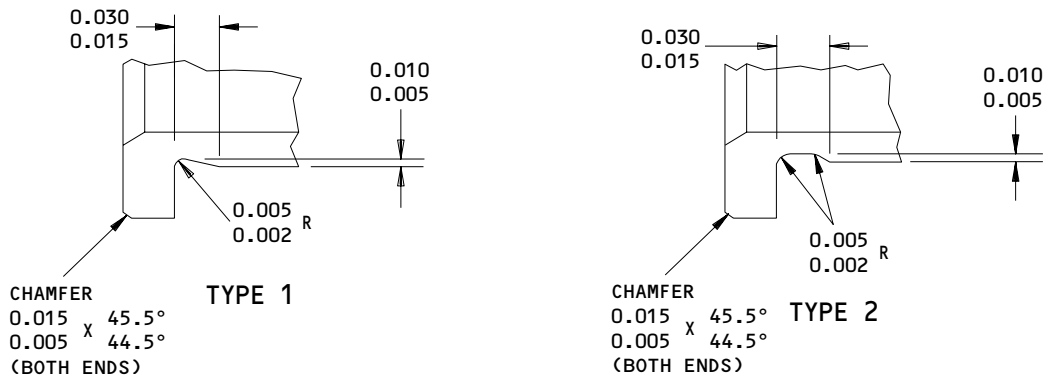
Page 605

Mar 01/00





OVERSIZE REPLACEMENT FOR BUSHING (464A)



UNDERCUT TYPE1 OR TYPE 2 OPTIONAL

(A)

1 FINAL BUSHING OUTSIDE DIAMETER EQUALS REPAIR DIAMETER OF FITTING PLUS 0.0005-0.0017 INTERFERENCE

63/ ALL MACHINED SURFACES UNLESS SHOWN DIFFERENTLY

MATERIAL: ALUMINUM-BRONZE, AMS4640

FINISH: CADMIUM PLATE AS SHOWN IN SOPM 20-42-05, TYPE 2, CLASS 2. PLATING IN BORE OPTIONAL

ITEM NUMBERS REFER TO IPL FIG. 4

ALL DIMENSIONS ARE IN INCHES

DIMENSIONS APPLY AFTER PLATING

Oversize Bushing Details  
 Figure 605

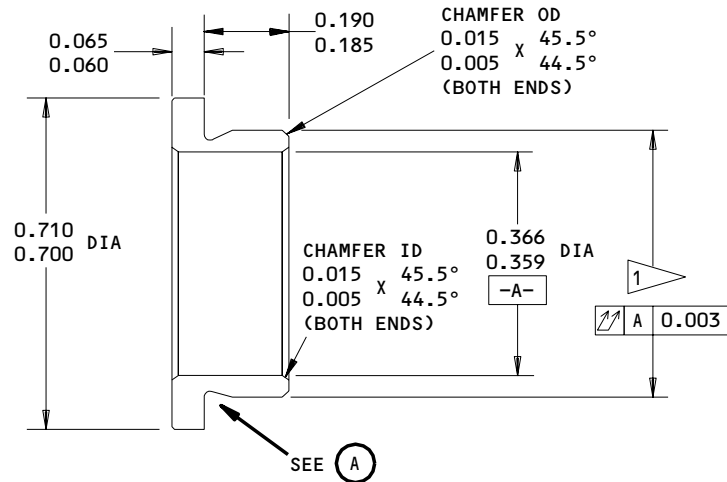
57-43-45

REPAIR 5-1

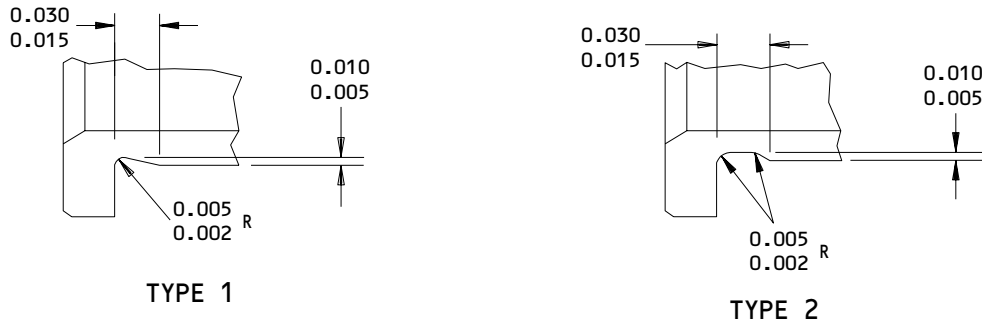
01.1

Page 607

Mar 01/00



**OVERSIZE REPLACEMENT FOR BUSHING (466A)**



**UNDERCUT TYPE 1 OR TYPE 2 OPTIONAL**

(A)

1 FINAL BUSHING OUTSIDE DIAMETER EQUALS REPAIR DIAMETER OF FITTING PLUS 0.0003-0.0015 INTERFERENCE

63/ ALL MACHINED SURFACES UNLESS SHOWN DIFFERENTLY

MATERIAL: 15-5PH OR 17-4PH CRES, 180-200 KSI

FINISH: CADMIUM PLATE PER SOPM 20-42-05, TYPE 2, CLASS 2.  
 PLATING IN BORE OPTIONAL

ITEM NUMBERS REFER TO IPL FIG. 4

ALL DIMENSIONS ARE IN INCHES

DIMENSIONS APPLY AFTER PLATING

**Oversize Bushing Details**  
**Figure 606**

**57-43-45**

REPAIR 5-1

Page 608

Mar 01/00

01.1

MAIN TRACK RIB ASSEMBLY – REPAIR 6-1

114T4402-13, -14

NOTE: Refer to REPAIR-GEN for list of applicable standard practices.

1. Bushing Replacement (484B, 485, IPL Fig. 3; 512, 514, IPL Fig. 4)

- A. Remove bushings.
- B. Check hole for bushings for damage and corrosion and repair if necessary per. 2.
- C. Install bushings per 20-50-03 with wet BMS 5-95, class B sealant.
- D. Machine bushings per Fig. 601.
- E. Fillet seal bushing flanges with BMS 5-95, class B sealant.

2. Repair

- A. Repair hole for bushing (484B, 485 IPL Fig. 3; 512, 514, IPL Fig. 4).
  - (1) Machine the rib (494B, 496B, IPL Fig. 3; 524, 526, IPL Fig. 4) as necessary to remove the discrepancy as specified in Fig. 601.
  - (2) Penetrant check per 20-20-02.
  - (3) Shot peen bore(s) per 20-10-03 and Fig. 601.
  - (4) Refinish per 3.A.
  - (5) Fabricate oversize bushing(s) per Fig. 602 and 603.

**57-43-45**

REPAIR 6-1

01.1

Page 601

Jun 01/97

3. Refinish

- A. Rib (494B, 496B, IPL Fig. 3; 524, 526, IPL Fig. 4) -- Chromic acid anodize, type 1 and apply one coat of BMS 10-11, type 1 primer (F-18.13) except no primer in bushing installation holes. Material: Al alloy.
- B. Shim (492, IPL Fig. 3; 522, IPL Fig. 4) -- Treat surface, colored coating. Apply one coat of BMS 10-11, type 1 primer (F-18.06).

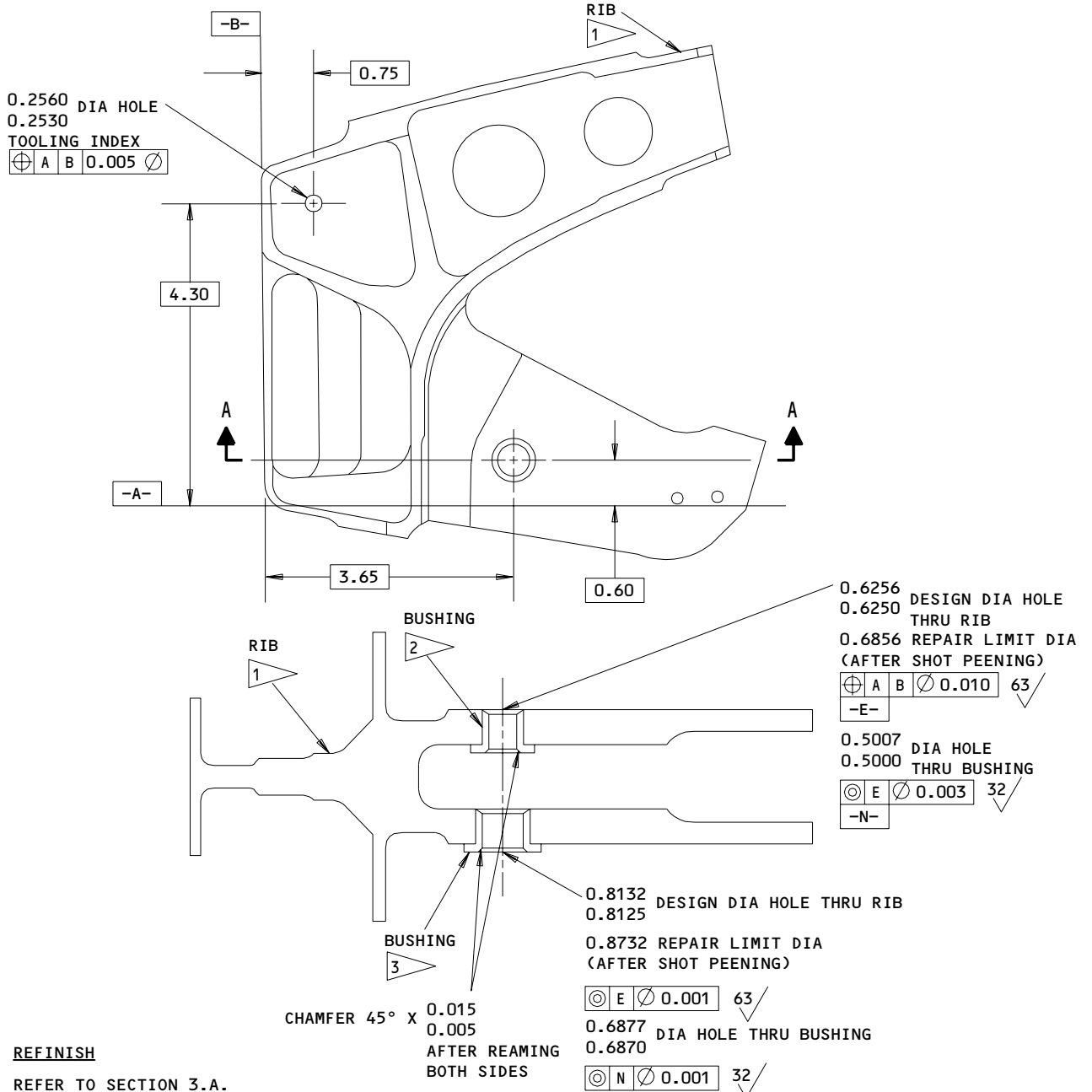
**57-43-45**

REPAIR 6-1

01.1

Page 602

Jun 01/97



**REFINISH**  
 REFER TO SECTION 3.A.

- 1 494B, 496B, IPL Fig. 3; 524, 526, IPL Fig. 4
- 2 484B, IPL Fig. 3; 512, IPL Fig. 4
- 3 485, IPL Fig. 3; 514, IPL Fig. 4

A-A

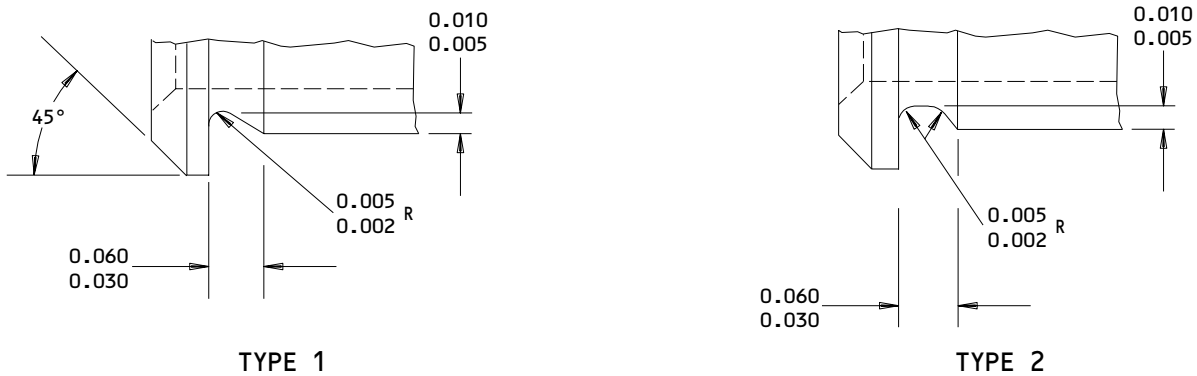
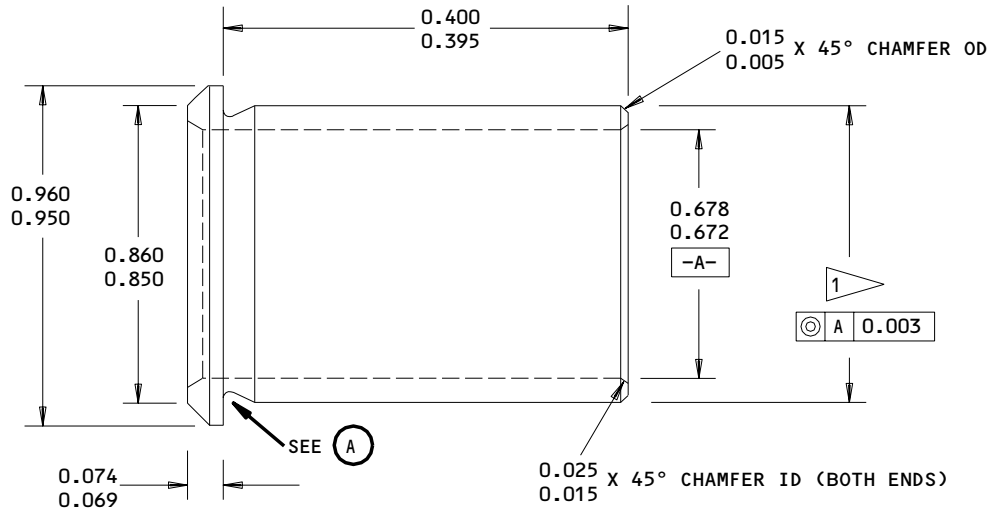
**REPAIR**  
 SHOT PEEN: 0.023-0.055 SHOT SIZE  
 0.004A-0.007A INTENSITY  
 2.0 COVERAGE  
 PEENING REQUIRED IN HOLES  
 MANUAL PEENING ALLOWED  
 MATERIAL: 7075-T3751 AL PLATE  
 ALL DIMENSIONS ARE IN INCHES

Rib Assembly Repair  
 Figure 601

57-43-45

REPAIR 6-1  
 Page 603  
 Jun 01/97

01.1



UNDERCUT - TYPE 1 OR TYPE 2 OPTIONAL



REPLACEMENT BUSHING FOR BUSHING (485; IPL Fig 3; 514, IPL Fig. 4)

ANGULAR TOLERANCE:  $\pm 0.5^\circ$

1 FINISH DIA (REPAIR DIA OF FITTING PLUS 0.0005-0.0019 INTERFERENCE)

63/ ALL MACHINED SURFACES

MATERIAL: AL-NI-BR PER AMS 4640

FINISH: CADMIUM PLATE PER 20-42-05, TYPE 2, CLASS 2, PLATING IN BORE OPTIONAL

ALL DIMENSIONS ARE IN INCHES

Oversize Bushing Details  
 Figure 602

**57-43-45**

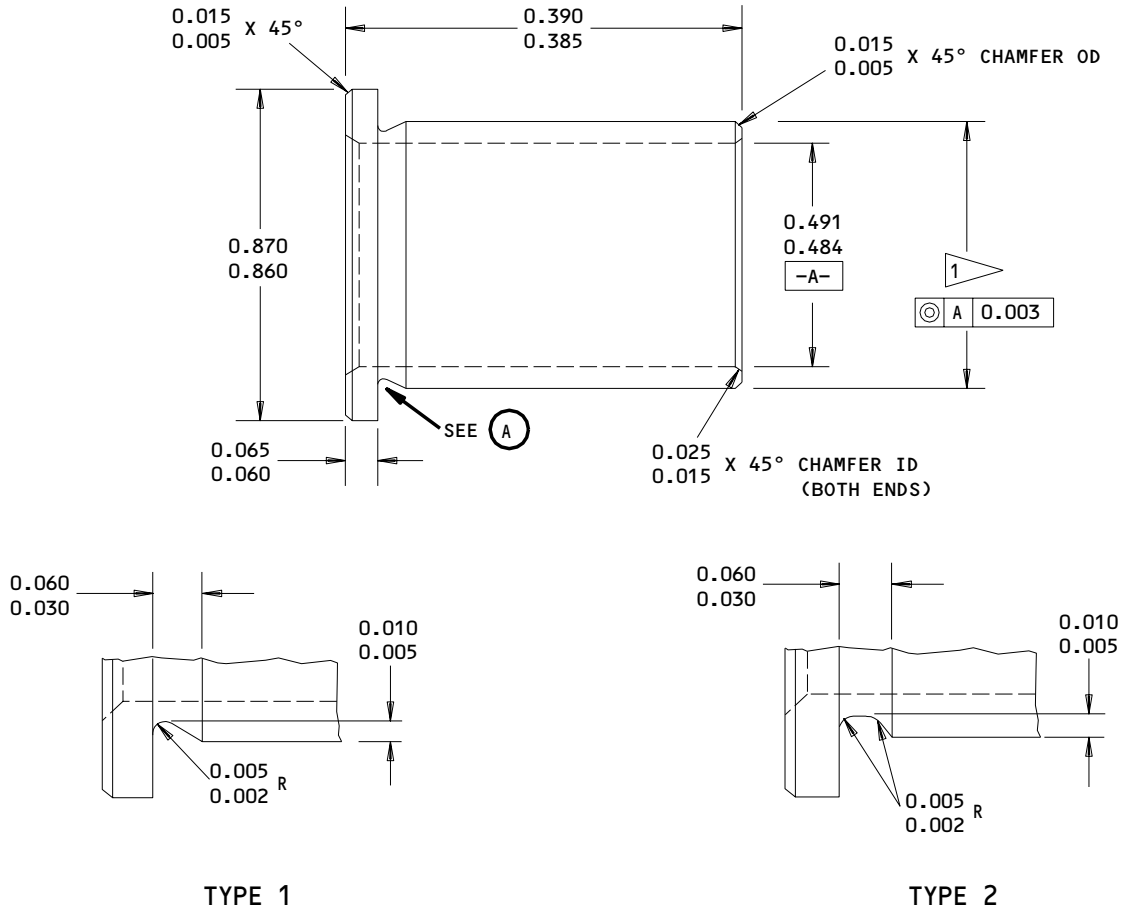
REPAIR 6-1

01.1

Page 604

Jun 01/97





UNDERCUT - TYPE 1 OR TYPE 2 OPTIONAL

(A)

REPLACEMENT BUSHING FOR BUSHING (484B, IPL Fig 3; 512, IPL Fig. 4)

ANGULAR TOLERANCE:  $\pm 0.50$  DEG

1 FINISH DIA (REPAIR DIA OF FITTING PLUS 0.0005-0.0017 INTERFERENCE)

63/ ALL MACHINED SURFACES

MATERIAL: 15-5PH CRES, HT 180-200 KSI

FINISH: CADMIUM PLATE PER 20-42-05, TYPE 2, CLASS 2, PLATING IN BORE OPTIONAL

ALL DIMENSIONS APPLY AFTER PLATING

ALL DIMENSIONS ARE IN INCHES

Oversize Bushing Details  
 Figure 603

57-43-45

REPAIR 6-1

01.1

Page 605

Jun 01/97

MAIN TRACK RIB ASSEMBLY – REPAIR 7-1

114T4403-13, -14

NOTE: Refer to REPAIR-GEN for list of applicable standard practices.

1. Bushing Replacement (522B, 523, IPL Fig. 3; 532, 536, IPL Fig. 4)
  - A. Remove bushings.
  - B. Check hole for bushings for damage and corrosion and repair if necessary per 2.
  - C. Install bushings per 20-50-03 with wet BMS 5-95, class B sealant.
  - D. Machine bushings per Fig. 601.
  - E. Fillet seal bushing flanges with BMS 5-95, class B sealant.
2. Repair
  - A. Repair hole for bushing (522B, 523, IPL Fig. 3; 532, 536, IPL Fig. 4).
    - (1) Machine the rib (532B, 534B, IPL Fig. 3; 546, 548, IPL Fig. 4) as necessary to remove the discrepancy as specified in Fig. 601.
    - (2) Penetrant check per 20-20-02.
    - (3) Shot peen bore(s) per 20-10-03 and Fig. 601.
    - (4) Refinish per 3.A.
    - (5) Fabricate oversize bushing(s) per Fig. 602 and 603.

**57-43-45**

REPAIR 7-1

01.1

Page 601

Jun 01/97

3. Refinish

- A. Rib (532B, 534B, IPL Fig. 3; 546, 548, IPL Fig. 4) -- Chromic acid anodize, type 1 and apply one coat of BMS 10-11, type 1 primer (F-18.13) except no primer in bushing installation holes. Material: Al alloy.
- B. Shim (530, IPL Fig. 3; 544, IPL Fig. 4) -- Treat surface, colored coating. Apply one coat of BMS 10-11, type 1 primer (F-18.06).

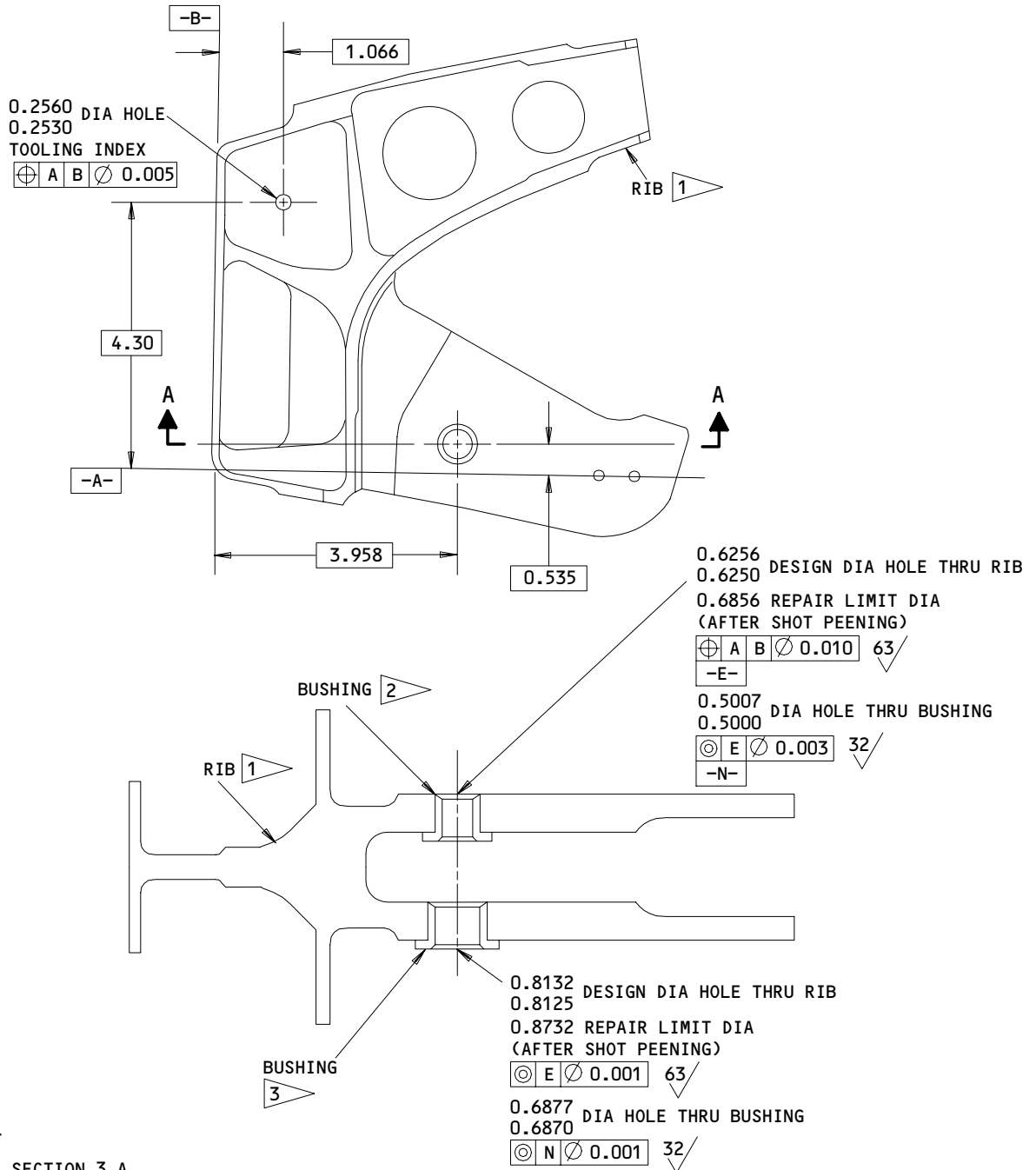
**57-43-45**

REPAIR 7-1

01.1

Page 602

Jun 01/97



**REFINISH**

REFER TO SECTION 3.A.

- 1 532B, 534B, IPL Fig. 3; 546,548, IPL Fig. 4
- 2 522B, IPL Fig. 3; 532, IPL Fig. 4
- 3 523, IPL Fig. 3; 536, IPL Fig. 4

**REPAIR**

SHOT PEEN: 0.023-0.055 SHOT SIZE  
 0.004A-0.007A INTENSITY  
 2.0 COVERAGE  
 PEENING REQUIRED IN HOLES  
 MANUAL PEENING ALLOWED

MATERIAL: 7075-T3751 AL PLATE  
 ALL DIMENSIONS ARE IN INCHES

**Rib Assembly Repair  
 Figure 601**

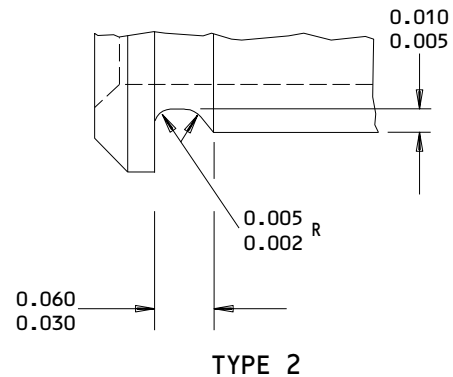
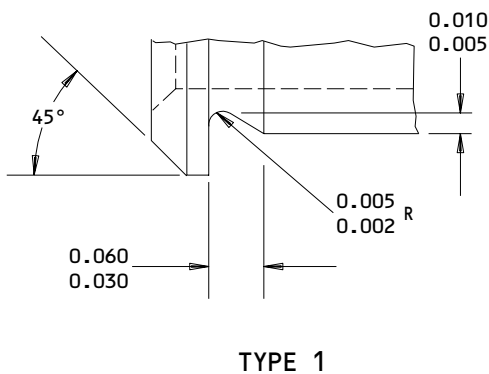
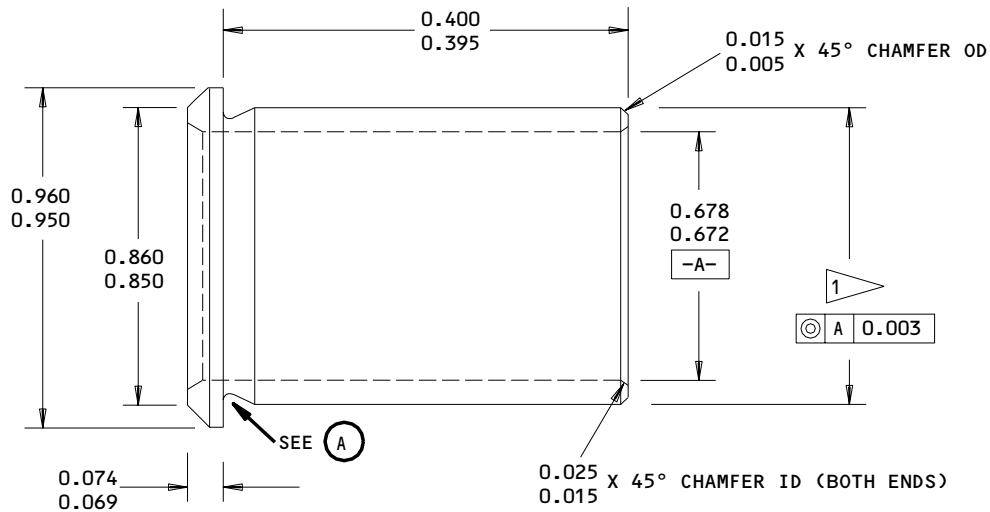
**57-43-45**

REPAIR 7-1

01.1

Page 603

Jun 01/97



UNDERCUT - TYPE 1 OR TYPE 2 OPTIONAL

(A)

REPLACEMENT BUSHING FOR BUSHING (523, IPL Fig. 3; 536 IPL Fig. 4)

ANGULAR TOLERANCE:  $\pm 0.5^\circ$

1 FINISH DIA (REPAIR DIA OF FITTING PLUS 0.0005-0.0019 INTERFERENCE)

63/ ALL MACHINED SURFACES

MATERIAL: AL-NI-BR PER AMS 4640

FINISH: CADMIUM PLATE PER 20-42-05, TYPE 2, CLASS 2, PLATING IN BORE OPTIONAL

ALL DIMENSIONS ARE IN INCHES

Oversize Bushing Details  
 Figure 602

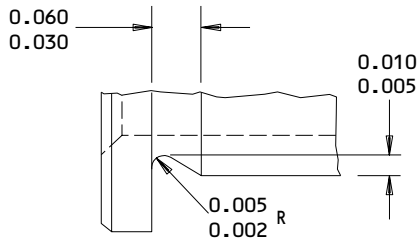
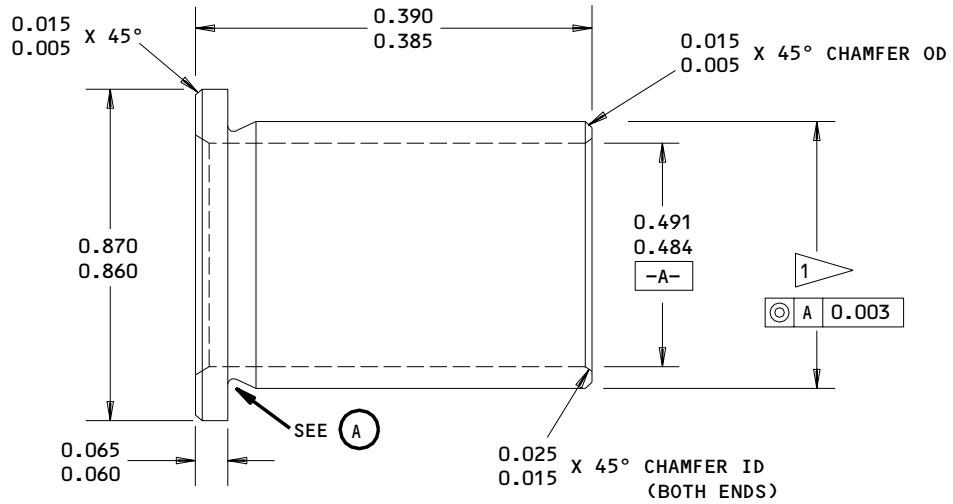
57-43-45

REPAIR 7-1

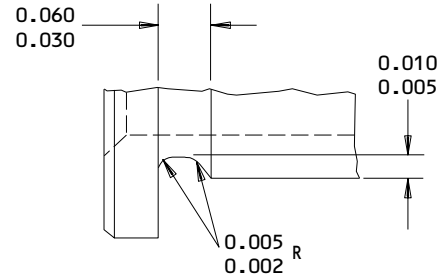
01.1

Page 604

Jun 01/97



TYPE 1



TYPE 2

UNDERCUT - TYPE 1 OR TYPE 2 OPTIONAL

(A)

REPLACEMENT BUSHING FOR BUSHING (522B, IPL Fig. 3; 532, IPL Fig. 4)

ANGULAR TOLERANCE:  $\pm 0.50$  DEG

1 FINISH DIA (REPAIR DIA OF FITTING PLUS 0.0005-0.0017 INTERFERENCE)

63/ ALL MACHINED SURFACES

MATERIAL: 15-5PH CRES, HT 180-200 KSI

FINISH: CADMIUM PLATE PER 20-42-05, TYPE 2, CLASS 2, PLATING IN BORE OPTIONAL

ALL DIMENSIONS APPLY AFTER PLATING

ALL DIMENSIONS ARE IN INCHES

Oversize Bushing Details  
 Figure 603

57-43-45

REPAIR 7-1

01.1

Page 605

Jun 01/97

MAIN TRACK RIB ASSEMBLY – REPAIR 8-1

114T4514-1, -2, -5, -6, -401, -402  
114T4515-1, -2, -5, -6, -401, -402

**NOTE:** Refer to REPAIR – GENERAL for a list of applicable standard practices.

1. Bushing Replacement (562A, IPL Fig. 3; 582, IPL Fig. 4)

- A. Remove bushings from the rib (576, 576A, 576B, 578, 578A, 578B, 580, 580A, 580B, 582, 582A, 582B, IPL Fig. 3; 594, 594A, 596, 596A, 598, 598A, 600, 600A, IPL Fig. 4).
- B. Check the hole for damage or corrosion and if necessary, repair it as specified in par. 2.A.
- C. Install bushings as shown in SOPM 0-50-03 with wet BMS 5-95, class B sealant.
- D. Machine bushings as shown in Fig. 601.
- E. Fillet seal bushing flanges with BMS 5-95, class B sealant flush with flange. No sealant or finishes on plane surface of bushing flange.
- F. Fill the gap between the bushing flange and the rib plate (574A, 574B, IPL Fig. 3; 590, 592, IPL Fig. 4) with BMS 5-95, class B sealant.

2. Oversize Bushing Repair

- A. Repair hole for bushing (562A, IPL Fig. 3; 582, IPL Fig. 4).
  - (1) Machine the worn or damaged hole in the rib (576, 576A, 576B, 578, 578A, 578B, 580, 580A, 580B, 582, 582A, 582B, IPL Fig. 3; 594, 594A, 596, 596A, 598, 598A, 600, 600A, IPL Fig. 4), as necessary to remove defects, cracks, and/or corrosion, up the repair limit shown in Fig. 601.
  - (2) Do a penetrant check of the machined hole as specified by SOPM 20-20-02.
  - (3) Refinish the machined hole as specified in par. 3.A.
- B. Make an oversize replacement bushing (562A, IPL Fig. 3, 582, IPL Fig. 4) as shown in Fig. 602 or 603.

**57-43-45**

REPAIR 8-1

01.1

Page 601

Mar 01/00

3. Refinish

- A. Rib (576, 576A, 576B, 587, 587A, 587B, 580, 580A, 580B, 582, 582A, 582B, IPL Fig. 3; 594, 594A, 596, 596A, 598, 598A, 600, 600A, IPL Fig. 4) - Anodize (F-17.04) or (F-17.31) and apply one layer of BMS 10-11, Type 1 primer (F-20.02), except do not apply primer in the holes for the bushings. Optional: For bushing holes and touch-up of small areas of bare metal, apply colored chemical coating (F-17.10) instead of anodize. Material: Al alloy.
- B. Rubplate (574A, 574B, IPL Fig. 3; 590, 592, IPL Fig. 4) - Cadmium plate and apply one coat of BMS 10-11, type 1 primer (F-16.01).

**57-43-45**

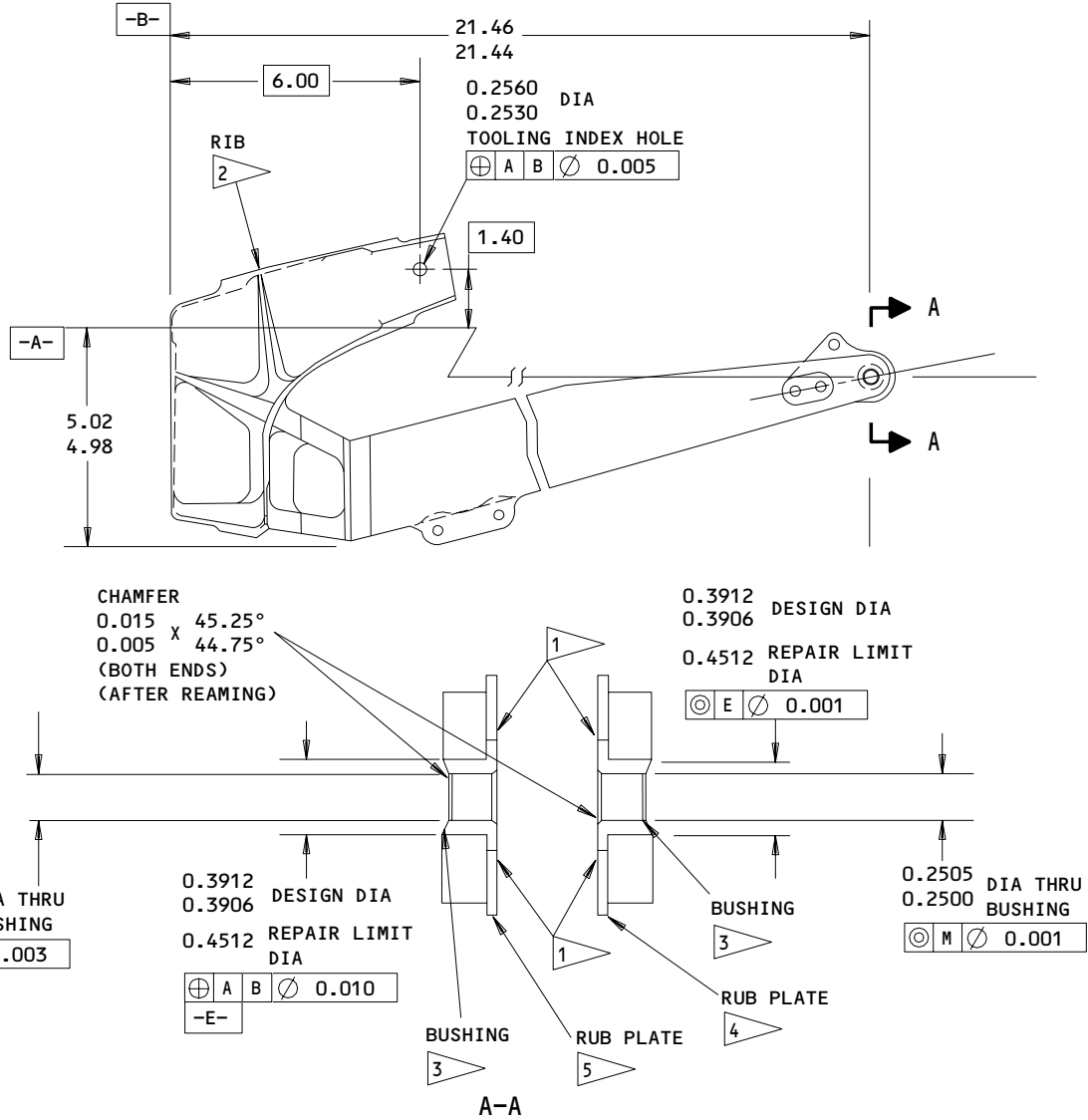
REPAIR 8-1

01.1

Page 602

Mar 01/00





- 1 FILL GAP WITH SEALANT, BMS 5-95
- 2 IPL FIG. 3; 576-576B, 578-578B, 580-580B, 582-582B  
 IPL FIG. 4; 594-594A, 596-596A, 598-598A, 600-600A
- 3 IPL FIG. 3; 562A  
 IPL FIG. 4; 582
- 4 IPL FIG. 3; 574A,  
 IPL FIG. 4; 590
- 5 IPL FIG. 3; 574B  
 IPL FIG. 4; 592

**REPAIR**

63/ ALL MACHINED SURFACES UNLESS SHOWN DIFFERENTLY

MATERIAL: ALUMINUM ALLOY

SHOT PEEN: 0.023-0.055 SHOT SIZE  
 0.003-0.005 A INTENSITY  
 2.0 COVERAGE

ITEM NUMBERS REFER TO IPL FIG. 3 AND 4

ALL DIMENSIONS ARE IN INCHES

114T4514-1,-2,-5,-6,-9,-10,-401,-402  
 114T4515-1,-2,-5,-6,-9,-10,-401,-402  
 Auxiliary Rib Assembly - Repair  
 Figure 601

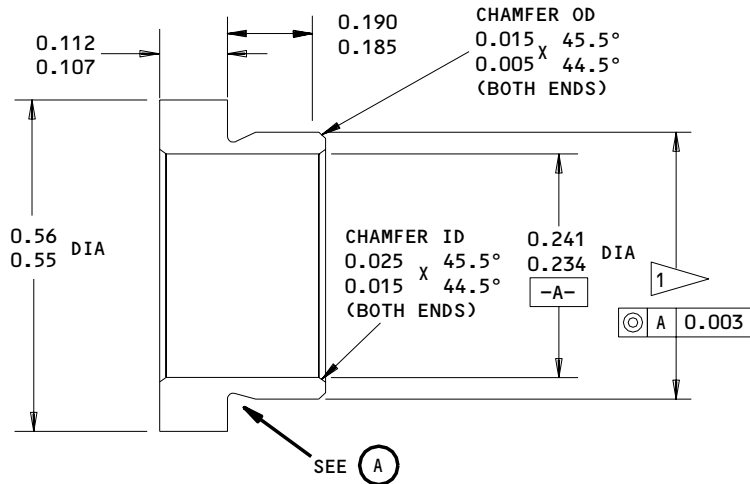
**57-43-45**

REPAIR 8-1

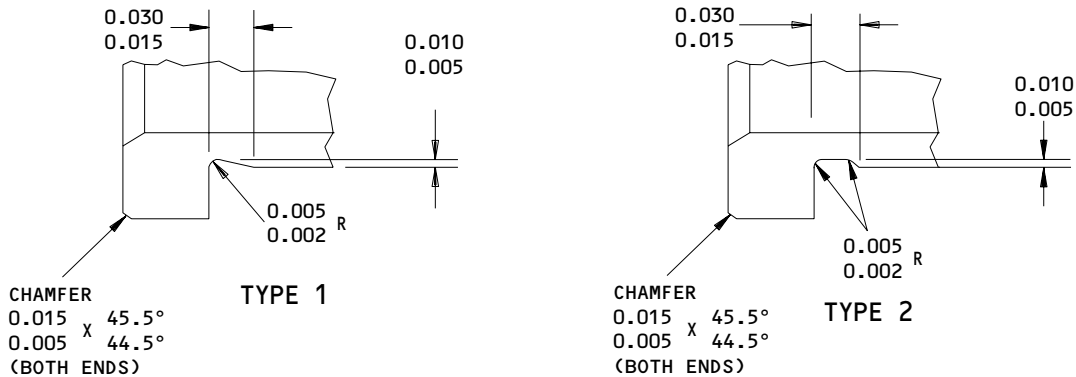
01.1

Page 603

Mar 01/00



**OVERSIZE REPLACEMENT FOR BUSHINGS**  
 (IPL FIG. 3; 562A)  
 (IPL FIG. 4; 582)



**UNDERCUT TYPE 1 OR TYPE 2 OPTIONAL**

ⓐ

1 FINAL BUSHING OUTSIDE DIAMETER EQUALS REPAIR DIAMETER OF FITTING PLUS 0.0003-0.0015 INTERFERENCE

63/ ALL MACHINED SURFACES UNLESS SHOWN DIFFERENTLY

MATERIAL: 15-5PH OR 17-4PH CRES, 180-200 KSI

FINISH: CADMIUM PLATE AS SHOWN IN SOPM 20-42-05, TYPE 2, CLASS 2. PLATING IN BORE OPTIONAL

ALL DIMENSIONS ARE IN INCHES

DIMENSIONS APPLY AFTER PLATING

**Oversize Bushing Details**  
**Figure 602**

**57-43-45**

REPAIR 8-1

Page 604

Mar 01/00

01.1

MISCELLANEOUS PARTS REFINISH – REPAIR 9-1

1. Repair of parts listed consists of restoration of the original finish.

IPL FIG. & ITEM	MATERIAL	FINISH
<p><u>Fig. 1</u></p> <p>Structure Assembly            (1 thru 1F, 1H,            5 thru 5F, 5H)</p>	<p>--</p>	<p>Except for the access panels (114T4157-1,-2,-3,-4), the TE wedge assemblies (114T4112-1,-2,-7, thru -12,-17 thru -22), the skins (114T4102-3,-4), and the closure panels (114T4151-13,-14,-15,-16) and except as noted in Fig. 601, put the following finish on the slat assembly:</p> <p>Before you install the seals onto the slat assembly, apply BMS 10-11, Type 1 primer (F-14.995) and BMS 10-60, Type 1 primer (F-14.9813) to the slat assembly in the operators color scheme.</p> <p>After you install the seals, apply BMS 10-60, Type 1 enamel (F-14.9813), in the operators color scheme, to all unpainted seal retainers, bolt heads, and washers.</p> <p>For detail refinish of the access panels, the TE wedge assemblies, the skins, and the closure panels listed above, see the refinish information listed in this section. For refinish of these parts at the assembly level, See Fig. 601 and Table A.</p>
<p>Structure Assembly            (1J,5J)</p>	<p>--</p>	<p>Except for the access panels (114T4157-1,-2,-3,-4). the TE wedge assemblies (114T4112-1,-2,-7 thru -12,-17 thru -22), the skins (114T4102-3,-4), and the closure panels (114T4151-13,-14,-15,-16) and except as noted in Fig. 601, put the following finish on the slat assembly:</p>

Refinish Details  
 Table 601 (Sheet 1)

**57-43-45**

REPAIR 9-1

01.1

Page 601

Mar 01/00





IPL FIG. & ITEM	MATERIAL	FINISH
<u>Fig. 2</u>		
TE Wedge Assemblies (416,416A,416B,416E 416L,418,418A,418B, 418E,418L)	Al alloy	Chemical treat (F-17.04) the exterior skin surfaces.
Skin (114T4102-3, -4)	Al alloy	See Fig. 601.
Closure Panels (862,864,866,868)	Composite	See Fig. 602.
Retainers (18,20,22,26,28,60, 80,84,88,92,102, 104,118,124A,126A, 130A,826,830) Fitting (818,820)	Al alloy	Chromic acid anodize and apply BMS 10-11, Type 1 primer (F-18.13). Apply enamel, BMS 10-60, color BAC707 gray gloss (SRF-14.9813).
Panel (144,146,158,160, 192,194,238,240, 262,264,290,291, 300,302)	Al alloy	Chemical treat and apply primer BMS 10-11, Type 1 (F-18.06).
Stiffeners (175,175G,203,221, 255,275,296,315, 337)	Al alloy	Chromic acid anodize, and apply one coat primer, BMS 10-11, Type 1 (F-18.13).
Fitting (224A)	15-5PH CRES 180-200 ksi	Cadmium plate and pply one coat primer, BMS 10-11, Type 1 (F-18.06).
Panel Assy (426,428,430,432)	Al alloy	Exterior surface of the skin: Chemical treat (F-17.40). Interior surface of the skin: Chemical treat and apply BMS 10-11, Type 1 primer (F-20.02).

Refinish Details  
Table 601 (Sheet 4)

**57-43-45**

REPAIR 9-1

01.1

Page 604

Nov 01/00

IPL FIG. & ITEM	MATERIAL	FINISH
<u>Fig. 2</u> (Cont)		
Rib (574,576,614,616, 718,720,722,724)	Al alloy	Chromic acid anodize, and apply primer, BMS 10-11, Type 1 (F-18.13), but no primer in holes.
<u>Fig. 3</u>		
TE Wedge Assemblies (380,380A,382,382A)	Al alloy	Chemical treat (F-17.40) the exterior skin surfaces.
TE Wedge Assemblies (380B,382B)	Al alloy	Phosphoric acid anodize (F-20.31) the exterior skin surfaces.
TE Wedge Assemblies (380C,382C)	Al alloy	Phosphoric acid anodize (F-20.31) and apply BMS 5-137, Type 1 adhesive primer (F-20.47) to the exterior skin surfaces.
Skin (114T4102-3, -4)	Al alloy	See Fig. 601.
Closure Panels (734,736,738,740)	Composite	See Fig. 602.
Retainers (18,20,22,24,26,28, 29,60,66,80,84,88, 92,102,104,118,124, 126,128,130)	Al alloy	Chromic acid anodize and apply primer, BMS 10-11, Type 1 (F-18.13). Apply enamel, BMS 10-60, gray gloss (SRF-14.9813).
Panel (156,158,186,188, 204,206,234,236, 254,256,280)	Al alloy	Chemical treat and apply primer, BMS 10-11, Type 1 primer (F-18.06).
Stiffeners (197,217,247,267, 291,311,333) Rib Assy (584,586,594,596, 614,616)	Al alloy	Chromic acid anodize, and apply primer, BMS 10-11, Type 1 (F-18.13).

Refinish Details  
 Table 601 (Sheet 5)

**57-43-45**

REPAIR 9-1

01.1

Page 605

Nov 01/00

IPL FIG. & ITEM	MATERIAL	FINISH
<u>Fig. 3</u> (Cont)		
Fitting (220B)	15-5PH CRES, 180-200 ksi	Cadmium plate and apply primer, BMS 10-11, Type 1 (F-16.01).
Rib (494,496,532,534)	Al alloy	Chromic acid anodize, and apply primer, BMS 10-11, Type 1 (F-18.13), but no prime in holes.
<u>Fig. 4</u>		
TE Wedge Assemblies (392,392A,394,394A)	Al alloy	Chemical treat (F-17.40) the exterior skin surfaces.
TE Wedge Assemblies (392B,394B)	Al alloy	Phosphoric acid anodize (F-20.31) the exterior skin surfaces.
TE Wedge Assemblies (392C,394C)	Al alloy	Phosphoric acid anodize (F-20.31) and apply BMS 5-137, Type 1 adhesive primer (F-20.47) to the exterior skin surfaces.
Skin (114T4102-3, -4)	Al alloy	See Fig. 601.
Closure Panels (400,402,404,406)	Composite	See Fig. 602.
Retainers (14,54,66,74,82,88, 116,124,126,128, 130,708,710,720)	Al alloy	Chromic acid anodize, and apply BMS 10-11, Type 1 primer (F-18.13). Apply enamel, BMS 10-60, color BAC707 gray gloss (SRF-14.9813).

Refinish Details  
Table 601 (Sheet 6)

**57-43-45**

REPAIR 9-1

01.1

Page 606

Nov 01/00



IPL FIG. & ITEM	MATERIAL	FINISH
<u>Fig. 4</u> (Cont)		
Retainers (102,104) Stiffeners (176,178,180,206, 228,260,282,308, 334,336,338,362) Rib Assy (602,604,612,614, 632,634)	Al alloy	Chromic acid anodize, and apply BMS 10-11, Type 1 primer (F-18.13).
Cove Panels (142,144,158,160, 194,196,214,216, 246,248,270,296, 298,316,318,350, 352) Insert Fitting Assy (440,442,444,446) Door (460A)	Al alloy	On interior and exterior surfaces, chemical treat and apply BMS 10-11, Type 1 primer (F-18.06).
Fitting (382,384)	17-4PH CRES, 180-200 ksi (15-5PH OPT)	Cadmium plate (F-15.06). Apply one coat of BMS 10-11, Type 1 primer (F-20.02). Do not apply primer to the threaded hole.
Attach Fitting (700,702,712,714)	Al alloy	Chemical treat (F-14.05) the exterior surface and mechanically polish to skin-quality finish. Chemical treat (F-14.05) and apply BMS 10-11, Type 1 primer (F-20.02) to the interior surface.
Access Panel Assy (418,420,422,424)	Al alloy	Exterior surface of the skin: Chemical treat (F-17.40). Interior surface of the skin: Chemical treat and apply BMS 10-11, Type 1 primer (F-20.02).

Refinish Details  
 Table 601 (Sheet 7)

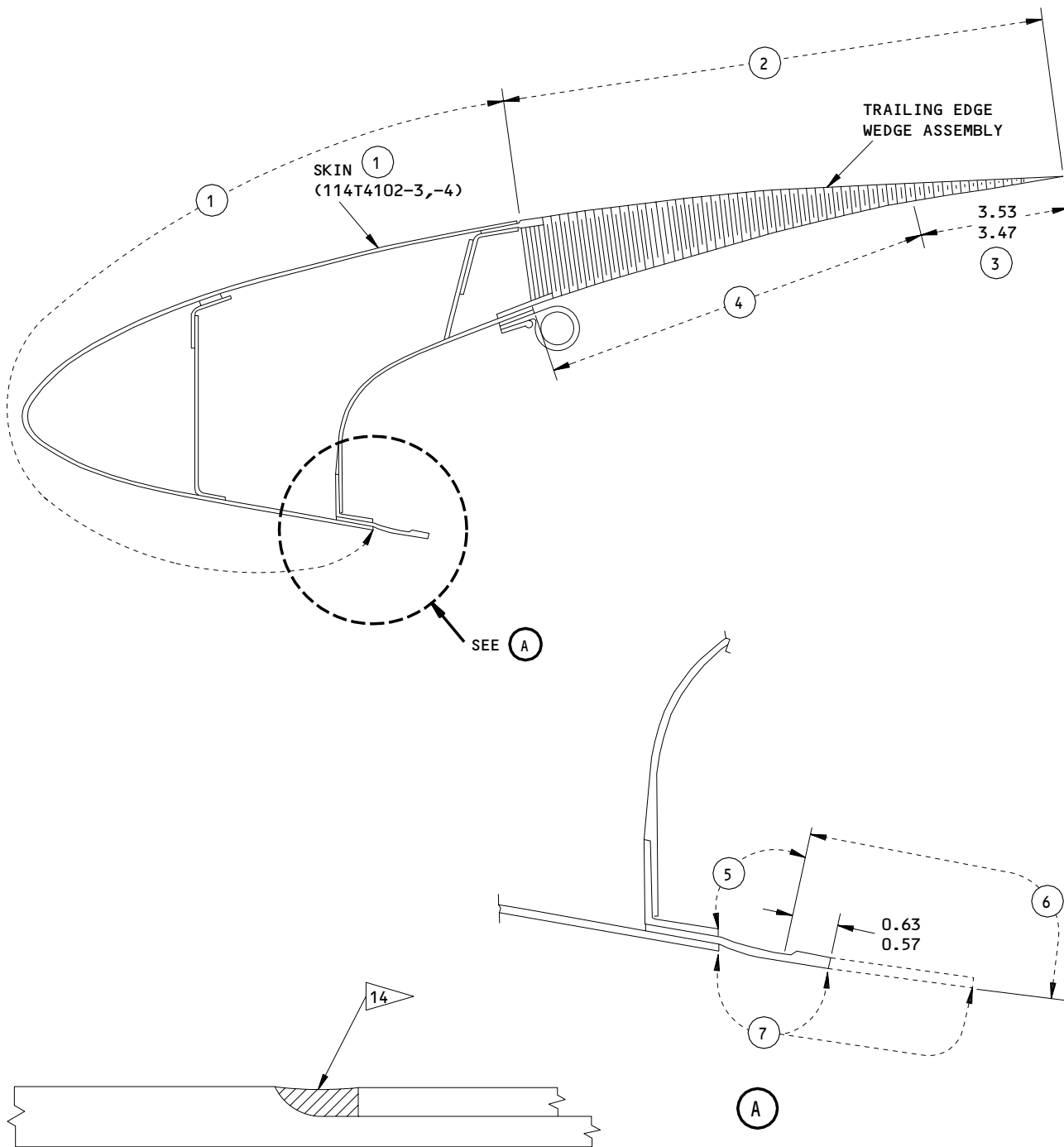
**57-43-45**

REPAIR 9-1

01.1

Page 607

Mar 01/00



TYPICAL SKIN JOINT

Slat Structure Assembly Refinish  
 Figure 601 (Sheet 1)

**57-43-45**

REPAIR 9-1  
 Page 608  
 Nov 01/00

01.1

PART NUMBER	AREA OF REFINISH (SEE FIG. 601)						
	①	②	③	④	⑤	⑥	⑦
114T4102-13SP, -14SP,-21SP, -22SP,-25SP, -26SP,-27,-28, -29,-30,-31, -32,-37,-38	1	3 4	3 6	7	8	9	10
114T4102-23, -24	1	3 4	3 6	7	8	9	12
114T4102-39, -40	1	3 4	3 6	7	11	9	10
114T4102-401SP -402SP,-403G, -404G,-41,-42, -45 THRU -48, -53SP,-54SP	1	3 5	3 6	7	8	9	13
114T4102-403P, -404P,-51SP, -52SP	2	3 5	3 6	7	8	9	13

TABLE A

**NOTE:**

IF NECESSARY, FOR 015T1507-XXX PART NUMBER ASSEMBLIES, SEE SB 767-57A0057 TO DETERMINE THE ORIGINAL ASSEMBLY NUMBER, THEN REFINISH AS SHOWN IN FIGURE 601.

Slat Structure Assembly Refinish  
 Figure 601 (Sheet 2)

**57-43-45**

REPAIR 9-1

Page 609

Nov 01/00

01.1

- 1 CHEMICAL TREAT (F-17.40), THEN MECHANICALLY POLISH
- 2 APPLY AZTEC 649 PROTECTIVE FINISH AS SPECIFIED BY SOPM 20-44-02
- 3 IF NECESSARY, SEE WEDGE ASSEMBLY REFINISH INFORMATION FOR TREATMENT OF UPPER AND LOWER METAL SKINS
- 4 CHEMICAL TREAT (F-17.10) ANY UNTREATED AREAS OF ALUMINUM OR ALUMINUM RIVET HEADS
- 5 CHEMICAL TREAT (F-17.10) ANY UNTREATED AREAS OF ALUMINUM OR ALUMINUM RIVET HEADS, THEN APPLY BMS 10-79, TYPE 3 PRIMER (F-19.47) AND BMS 10-60, TYPE 2 ENAMEL (F-19.39) IN THE OPERATORS COLOR SCHEME
- 6 CHEMICAL TREAT (F-17.10) ANY UNTREATED AREAS OF ALUMINUM OR ALUMINUM RIVET HEADS, THEN APPLY BMS 10-79, TYPE 3 PRIMER (F-19.47) AND TYPE 27 ABRASION RESISTANT FINISH IN THE OPERATORS COLOR SCHEME (F-14.9624 OR F-14.9625) TO A THICKNESS OF 0.005-0.010 INCH
- 7 CHEMICAL TREAT (F-17.10) ANY UNTREATED AREAS OF ALUMINUM OR ALUMINUM RIVET HEADS, THEN APPLY BMS 10-79, TYPE 1 PRIMER (F-19.47) AND TYPE 27 ABRASION RESISTANT FINISH IN THE OPERATORS COLOR SCHEME (F-14.9624 OR F-14.9625) TO A THICKNESS OF 0.002-0.005 INCH
- 8 APPLY BMS 10-79, TYPE 3 PRIMER (F-19.47) AND BMS 10-60, TYPE 2 ENAMEL (F-19.39) IN THE OPERATORS COLOR SCHEME
- 9 APPLY BMS 10-79, TYPE 3 PRIMER (F-19.47) AND TYPE 27 ABRASION RESISTANT FINISH IN THE OPERATORS COLOR SCHEME (F-14.9624 OR F-14.9625) TO A THICKNESS OF 0.005-0.010 INCH
- 10 APPLY BMS 10-60, TYPE 2 ENAMEL (F-19.39) IN THE OPERATORS COLOR SCHEME
- 11 APPLY BMS 10-79, TYPE 2 PRIMER AND BMS 10-60, TYPE 2 ENAMEL (F-19.41) IN THE OPERATORS COLOR SCHEME
- 12 NO FINISH ON THIS AREA
- 13 APPLY BMS 10-79, TYPE 3 PRIMER (F-19.47) AND BMS 10-60, TYPE 2 ENAMEL (F-19.39) IN THE OPERATORS COLOR SCHEME
- 14 BEFORE YOU APPLY PROTECTIVE FINISHES, FILL SKIN JOINTS WITH AERODYNAMIC SMOOTHER BMS 5-95 AS SPECIFIED BY SOPM 20-50-11, METHOD 2. AERO SMOOTHER MUST BE FLUSH OR BELOW THE SKIN SURFACE. REMOVE EXCESS AS SPECIFIED BY SOPM 20-50-11

Slat Structure Assembly Refinish  
Figure 601 (Sheet 3)

**57-43-45**

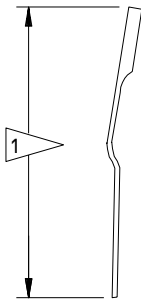
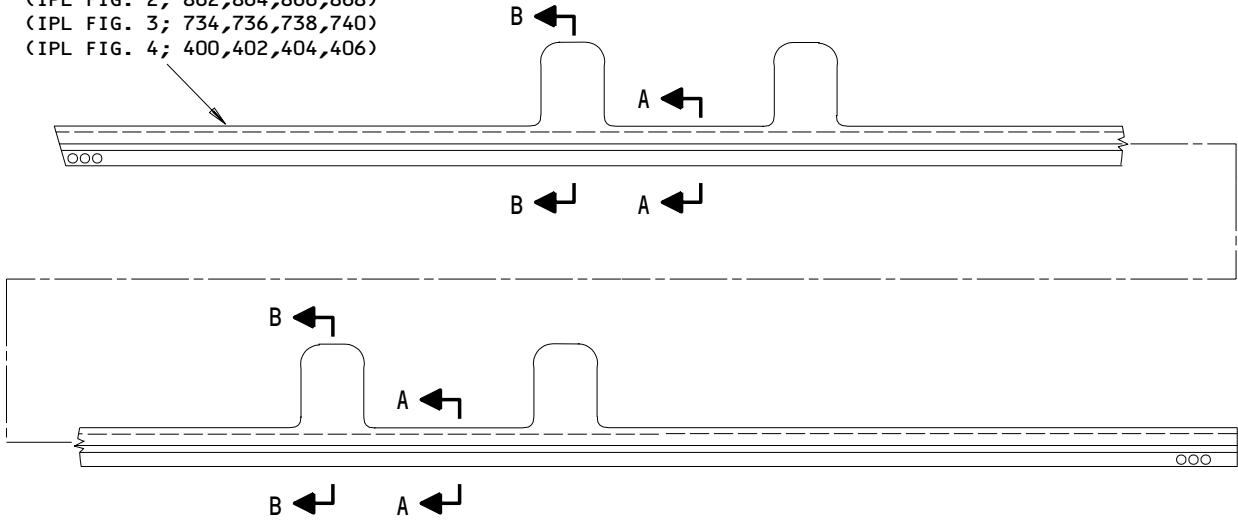
REPAIR 9-1

01.1

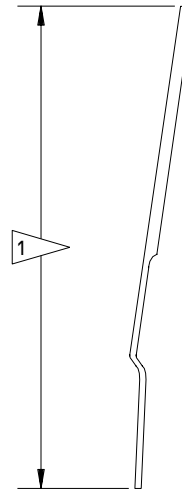
Page 610

Nov 01/00

CLOSURE PANEL  
 (IPL FIG. 2; 862,864,866,868)  
 (IPL FIG. 3; 734,736,738,740)  
 (IPL FIG. 4; 400,402,404,406)



A-A  
 (TYPICAL)



B-B  
 (TYPICAL)

**REFINISH**

PREPARE THE SURFACE (SRF-14.672) THEN APPLY COATING 1.

1 APPLY BMS 10-21, CONDUCTIVE COATING (F-14.685), THEN APPLY BMS 10-79, TYPE 2 PRIMER (F-19.46)

Closure Panel Refinish  
 Figure 602

**57-43-45**

REPAIR 9-1

Page 611

Nov 01/00

01.101

OUTBOARD SLAT STRUCTURE ASSEMBLY – REPAIR 11-1

114T4102-13SP, -14SP, -21SP, -22SP, -23, -24, -25SP, -26SP,  
-27 THRU -32, -37 THRU -42, -45 THRU -48,  
-51SP THRU -54SP, -401SP, -402SP

NOTE: Refer to REPAIR – GENERAL for a list of applicable standard practices.

1. Wedge Assembly (416, 418, IPL Fig. 2), (380, 382, IPL Fig. 3), (408, 410, IPL Fig. 4) Replacement (Fig. 601)

NOTE: Use wedge alignment tool assembly A57003 at OSS 871.632 and 935.829. The OSS locations are shown in Fig. 602.

- A. Use plywood or an equivalent material to make a fixture to hold the outboard slat structure assembly. The 757 fixture can be used with small changes.
- B. Put the slat structure assembly (1, 5, IPL Fig. 2, 3, and 4) in the fixture to prevent the slat structure assembly from movement during the repair.
- C. Install the Wedge Alignment Tool Assembly.
  - (1) Put the wedge alignment tool assembly on the auxiliary arm/rib assembly (618, 620, 622, 624, IPL Fig. 2), (380, 382, IPL Fig. 3) (408, 410, IPL Fig. 4) at OSS 871.632.

NOTE: Make sure the wedge alignment tool assembly is used at the correct OSS location shown in Fig. 602.

- (2) Put the ball-lock pin through the bushing hole at the end of the auxiliary arm assembly, with the dowel pin on the auxiliary arm.
- (3) Add shim blocks between the auxiliary arm forks to not let them bend during the next step. Shim blocks are included in the wedge alignment tool assembly kit.
- (4) Use C-clamps to hold the wedge alignment tool assembly to the auxiliary arm. Install the C-clamps between the contour locators.
- (5) Do steps 1.C.(1) thru 1.C.(4) again for auxiliary arm assembly at OSS 935.829.

NOTE: The contour locations are for reference only, to help you hold the wedge.

- (6) Adjust the two contour locators on each wedge alignment tool assembly to the contour of the slat. Do not move or bend the wedge assembly during this procedure. Tighten the knobs.

**57-43-45**

REPAIR 11-1

01.1

Page 601

Mar 01/00

- (7) Adjust the trailing edge locator on each wedge alignment tool assembly to the trailing edge of the wedge assembly. Do not move or bend the wedge assembly during this procedure. Tighten the knobs.

#### D. Remove Wedge Alignment Tool Assembly

- (1) Tag the wedge alignment tool assemblies to show the OSS locations.

**CAUTION:** THE WEDGE ALIGNMENT TOOL ASSEMBLIES WILL BE USED TO HELP GET THE CORRECT LOCATION FOR THE NEW WEDGE ASSEMBLY. MAKE SURE THE KNOBS ARE TIGHT. DO NOT LOOSEN THE KNOBS OR MOVE THE TRAILING EDGE LOCATORS DURING THE FOLLOWING STEPS.

- (2) Loosen and remove the C-clamps and the shim blocks.
- (3) Remove the ball-lock pins from the bushing holes in the auxiliary arms.
- (4) Remove the wedge alignment tool assemblies.

#### E. Remove the Damaged Wedge Assembly

**NOTE:** Make a note of the location of parts as you remove them to help during assembly.

- (1) Remove the seal retainers (18, 20, 22, 24, 26, 28 IPL Fig. 2), (18, 20, 22, 24, 26, 28, 29, IPL Fig. 3), (14, IPL Fig. 4) and bulb seals (30, 32, 34, 36, 38, 40, IPL Fig. 2), (30, 32, 34, 36, 38, 40, IPL Fig. 3), (16, 18, 20, 22, 24, 26, IPL Fig. 4) by removing bolts (10, IPL Fig. 2 and 3), (6, IPL Fig. 4) and washers (12, IPL Fig. 2 and 3), (8, IPL Fig. 4).
- (2) Make note of the locations of the cove panels (144, 146, 158, 160, 192, 194, 210, 212, 238, 240, 262, 264, 290, 291, 300, 302, 326, 328, IPL Fig. 2), (142, 144, 156, 158, 186, 188, 204, 206, 234, 236, 254, 256, 280, 282, 296, 298, 322, 324, IPL Fig. 3), (142, 144, 158, 160, 194, 196, 214, 216, 246, 248, 268, 270, 296, 298, 316, 318, 350, 352, IPL Fig. 4); stiffeners (175, 203, 221, 225, 275, 296, 315, 337, IPL Fig. 2); (173, 197, 217, 247, 267, 291, 311, 333, IPL Fig. 3), (176, 178, 206, 228, 260, 282, 308, 334, 362, IPL Fig. 4) and fasteners to help during assembly.
- (3) Remove all the fasteners along the lower and upper surfaces of the wedge assembly.
- (4) Remove the cove panels and stiffeners. Removal of some attaching parts could be necessary to let you remove the cove panels.

**NOTE:** Some stiffeners are attached to the back of the cove panels. Removal of these from the cove panels is not necessary.

**57-43-45**

REPAIR 11-1

01.1

Page 602

Mar 01/98

- (5) Remove the sealant from the gap between leading edge skin and the wedge assembly.
- (6) Lift and remove the wedge assembly from the slat. To help get it out, you can gently move the wedge back and forth. Keep the damaged wedge assembly as a guide for nutplate replacement.
- (7) Remove the shims between the lower surface of the wedge assembly and the slat ribs. Make a note of the shim locations. Some shims can be used again.

F. Prepare to Install the New Wedge Assembly

- (1) Prepare the surface of the slat structure assembly.
- (2) Put the new wedge assembly in position on the slat structure assembly. Align the ends of the wedge assembly with the ends of the slat structure assembly.

**CAUTION:** DO NOT MOVE OR CHANGE THE POSITION OF THE TRAILING EDGE LOCATORS ON THE WEDGE ALIGNMENT TOOL ASSEMBLIES.

- (3) Install the tagged wedge alignment tool assemblies on the applicable auxiliary arms. (Refer to step 1.C.)

**CAUTION:** WHEN YOU USE CLAMPS, DO NOT APPLY TOO MUCH PRESSURE, OR YOU COULD PUT DENTS IN THE NEW WEDGE ASSEMBLY.

- (4) Apply pressure to keep the wedge assembly against the trailing edge locators. Adjust the position of the wedge assembly to the wedge tip location dimensions and to the allowable short fastener hole dimensions as shown in Fig. 602. When you use clamps, use wood blocks in them to prevent damage to the upper surface of the wedge assembly. Use the contour locators to help hold the wedge in the correct position.
- (5) Measure shim gaps between ribs and the lower chord of the new wedge assembly. Make a note of the shim thickness and location.

**NOTE:** No shims are permitted between the upper chord of wedge assembly and the leading edge skin of the slat structure assembly.

**57-43-45**

REPAIR 11-1

01.1

Page 603

Nov 01/01



- (6) Remove the wedge alignment tool assemblies. (Refer to step 1.D.)
  - (7) Remove the wedge assembly.
  - (8) Install the BACS40R\*C\*F shims on the ribs with wet or dry BMS 10-11, type 1 primer mixed per SOPM 20-41-02 and F-20.05. If necessary, remove layers from the shims to get the correct thickness measured in step 1.F.(5). Maximum unshimmed gap is 0.010 inch.
  - (9) Install the tagged wedge alignment tool assemblies on the applicable auxiliary arm assemblies. (Refer to step 1.C.)
  - (10) Put the new wedge assembly in position on the slat structure assembly. Align the ends of the wedge assembly with the ends of the slat structure assembly.
- CAUTION:** WHEN YOU USE CLAMPS, DO NOT APPLY TOO MUCH PRESSURE, OR YOU COULD PUT DENTS IN THE NEW WEDGE ASSEMBLY.
- (11) Apply pressure to keep the wedge assembly against the trailing edge locators during the following steps. When you use clamps, use wood blocks in them to prevent damage to the upper surface of the wedge assembly.
  - (12) Drill new holes along the upper chord of the wedge assembly to agree with the holes of the leading edge skin of the slat. Start in the middle and go toward the ends.
  - (13) Install a sufficient number of temporary fasteners to hold the wedge assembly in position.
  - (14) Install cove panels and stiffeners on the slat structure assembly with a sufficient number of screws and temporary fasteners to hold them in position.
  - (15) Drill new holes along the lower chord of the wedge assembly to agree with the holes of the cove panels. Start in the middle and go toward the ends.
  - (16) Remove the wedge alignment tool assemblies. (Refer to step 1.D.)
  - (17) Remove all temporary fasteners.
  - (18) Remove the cove panels and stiffeners.

**57-43-45**

REPAIR 11-1

01.1

Page 604

Mar 01/98

- (19) Remove the wedge assembly from the slat structure assembly. To help get it out, you can gently move it back and forth.
- (20) Install the nutplates on the new wedge assembly
  - (a) Drill nutplate rivet holes on the lower surface of the wedge assembly. Use the old wedge assembly as a guide for nutplate replacement location.
  - (b) Countersink the bolt holes and remove burrs.
  - (c) Chemical treat and apply BMS 10-11, type 1 primer to shims and all bare metal surfaces.
  - (d) Install the nutplates.
- (21) Clean and prepare the slat structure and the wedge assembly for final assembly of the wedge assembly.

#### G. Final Installation of New Wedge Assembly

- (1) Put the new wedge assembly in position on the slat structure assembly. Make sure the ends of the wedge assembly align with the ends of the slat structure assembly. Make sure the holes on the new wedge assembly are aligned with the holes on the slat leading edge skin and cover panels.
- (2) Install a sufficient number of temporary fasteners to hold the cove panels, stiffeners, and the wedge assembly in position.
- (3) Install the final fasteners.
- (4) Remove all temporary fasteners and install the final fasteners.
- (5) Fill skin joints with aerodynamic smoother BMS 5-95 per SOPM 20-50-11 method 2. Aerodynamic smoother must be flush or below skin surface. Remove unwanted smoother.
- (6) Apply final finish. (See the MISCELLANEOUS PARTS REFINISH in REPAIR 9-1.)
- (7) Install all other parts you removed.

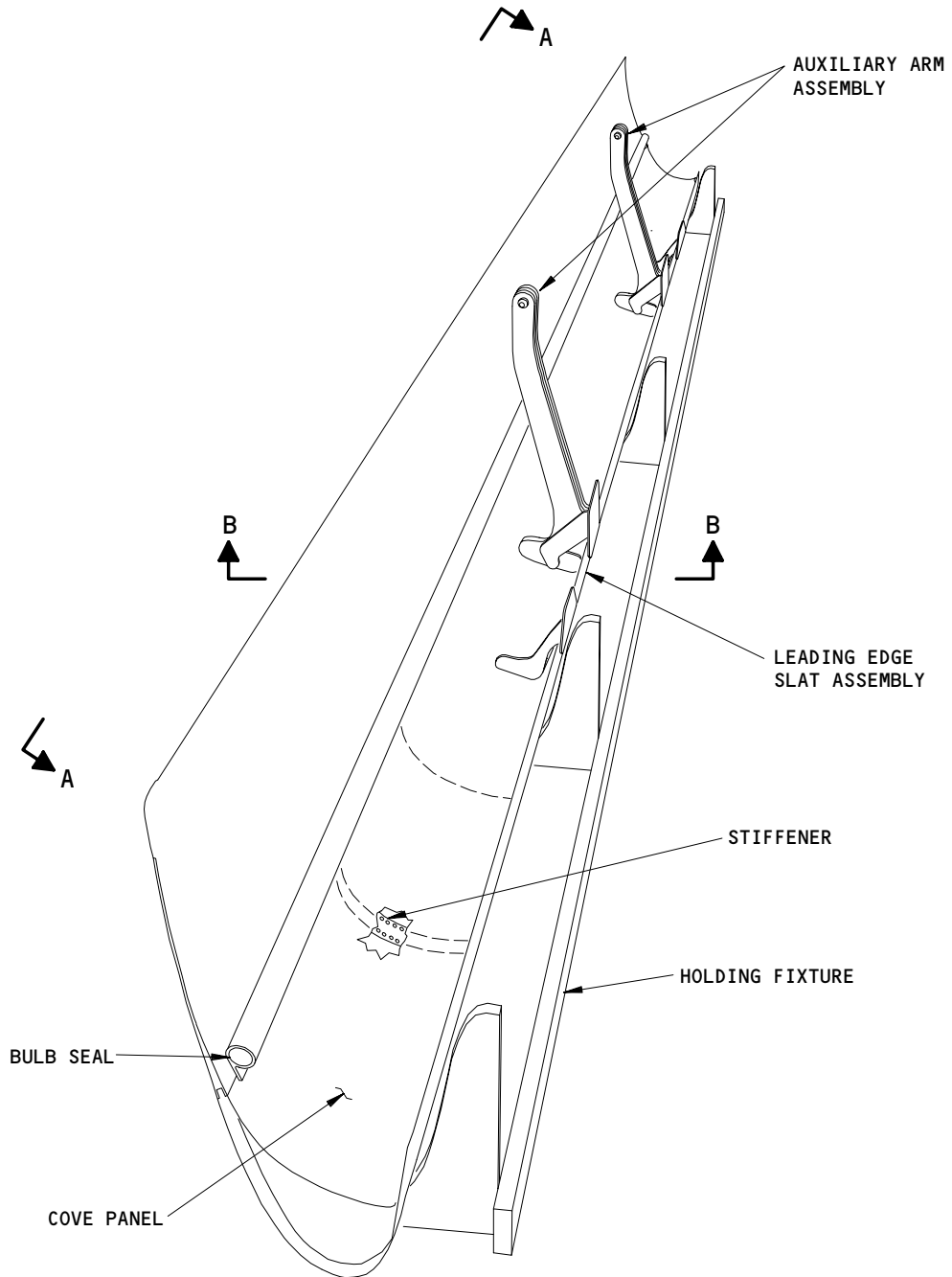
**57-43-45**

REPAIR 11-1

01.1

Page 605

Mar 01/98



(SHOWN WITHOUT LOCATOR TOOLS)

Wedge Assembly Replacement  
Figure 601 (Sheet 1)

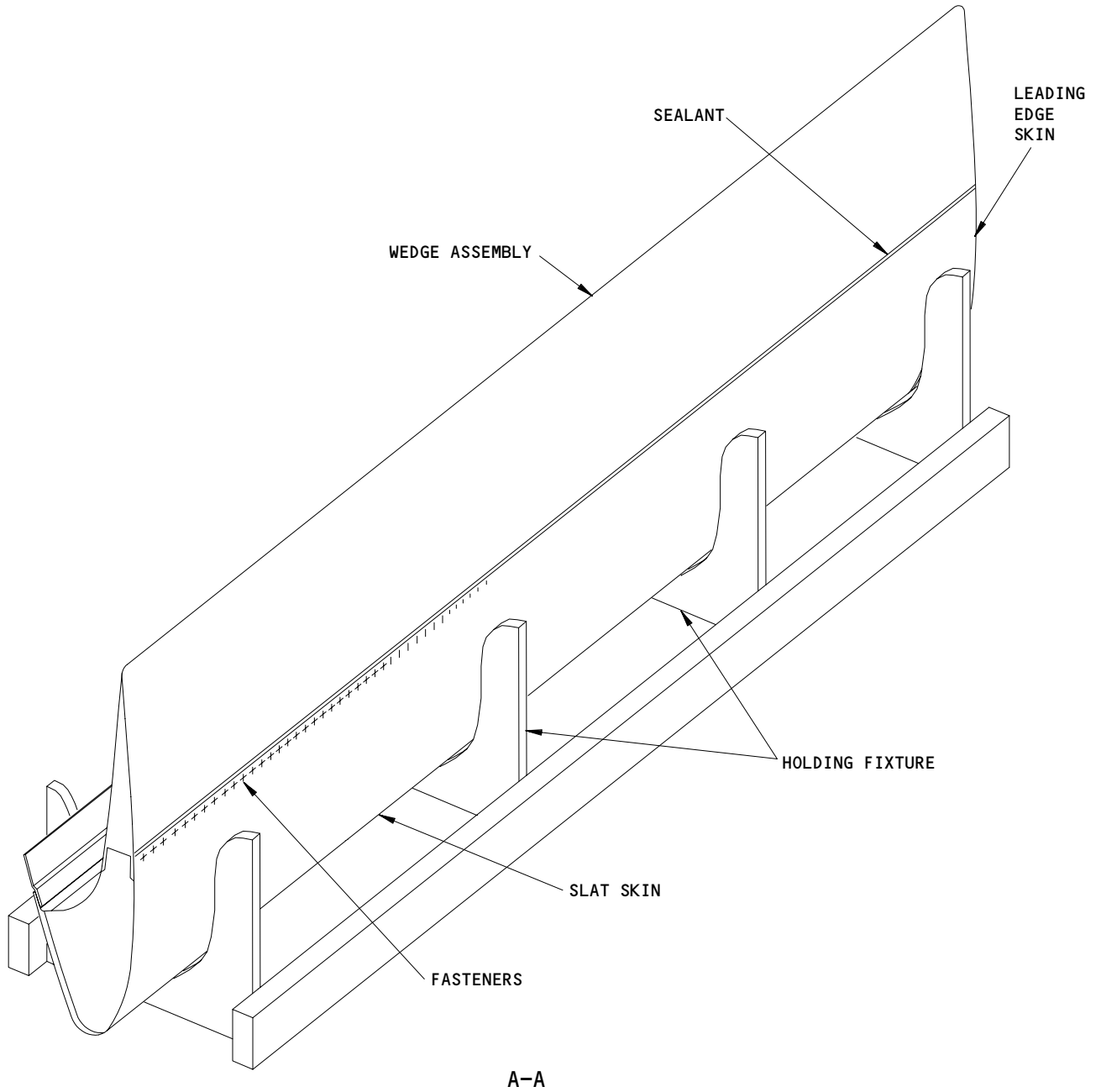
**57-43-45**

REPAIR 11-1

Page 606

Jun 01/97

01.1



Wedge Assembly Replacement  
Figure 601 (Sheet 2)

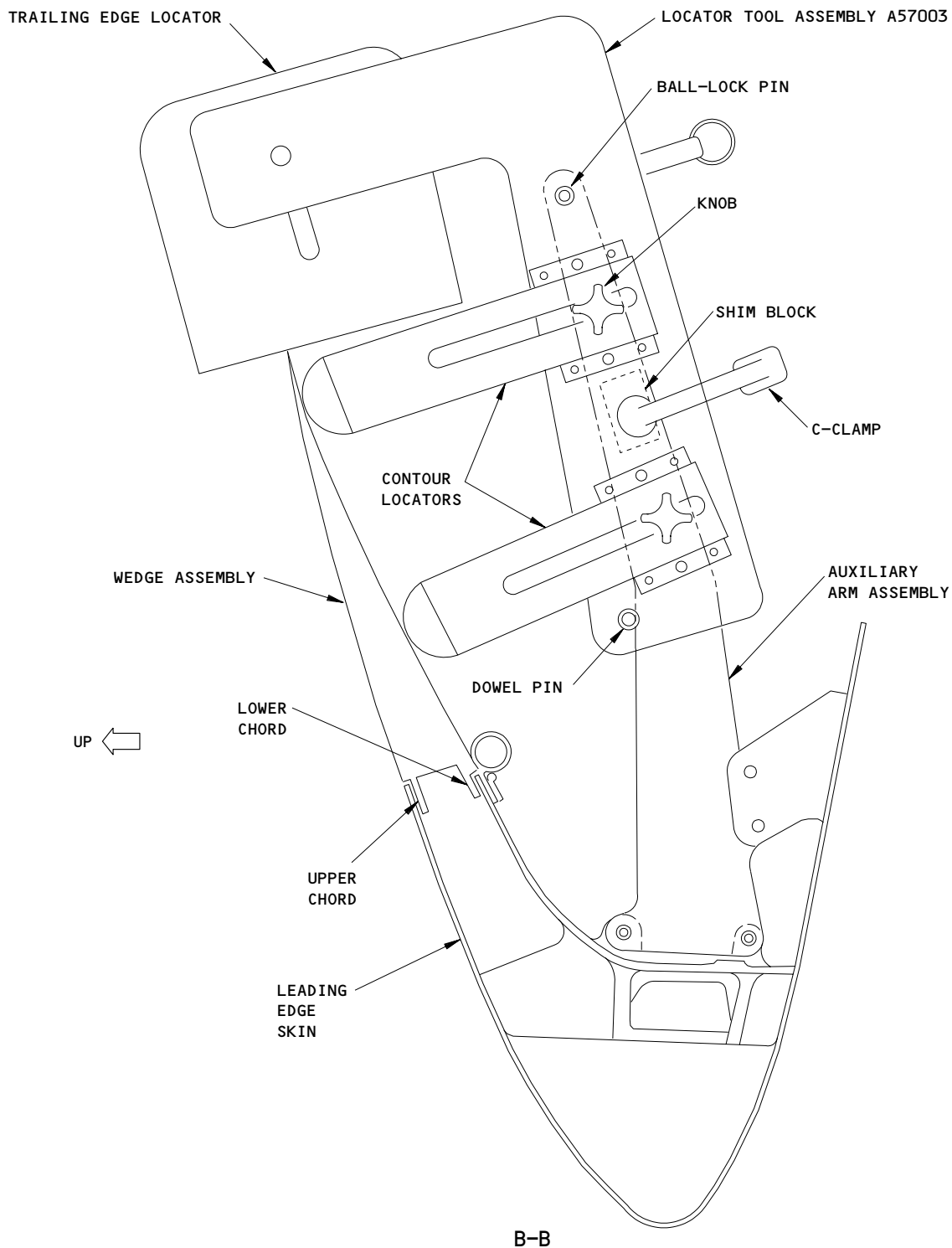
**57-43-45**

REPAIR 11-1

Page 607

Jun 01/97

01.1

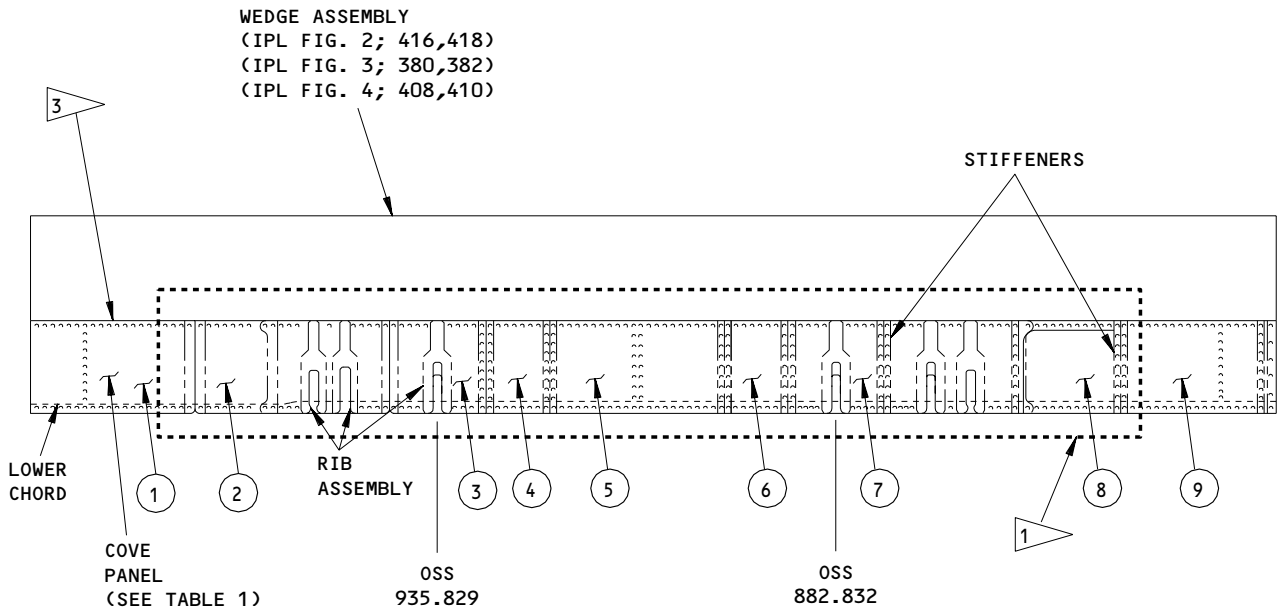
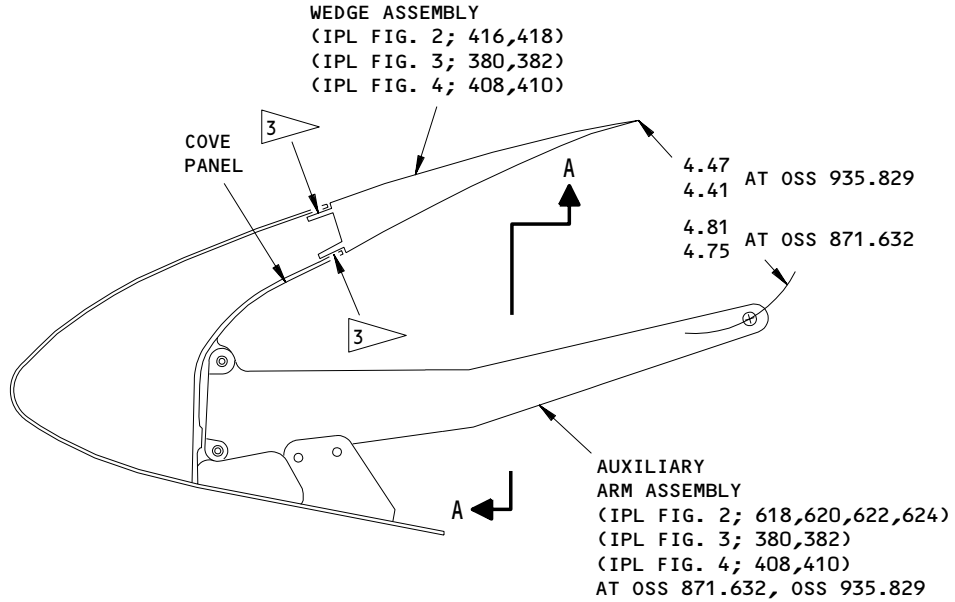


Wedge Assembly Replacement  
Figure 601 (Sheet 3)

**57-43-45**

REPAIR 11-1  
Page 608  
Jun 01/97

01.1



INBD

LEFT SIDE SHOWN  
 (RIGHT SIDE OPPOSITE)  
 (AUXILIARY ARMS NOT SHOWN)  
 A-A

ALL DIMENSIONS ARE IN INCHES

Rivet Substitution  
 Figure 602 (Sheet 1)

**57-43-45**

REPAIR 11-1

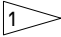

01.1

Page 609




Nov 01/01

COVE PANEL LOCATION	IPL FIG. 2 ITEM NO.	IPL FIG. 3 ITEM NO.	IPL FIG. 4 ITEM NO.
①	144,146	142,144	142,144
②	158,160	156,158	158,160
③	192,194	186,188	194,196
④	210,212	204,206	214,216
⑤	238,240	234,236	246,248
⑥	262,264	254,256	268,270
⑦	290,291	280,282	296,298
⑧	300,302	296,298	316,318
⑨	326,328	322,324	350,352

**COVE PANEL IDENTIFICATION  
TABLE 1**

SUBSTITUTION FASTENER 	SUBSTITUTION AREA
NAS1398MW*A*, NAS1738E*, BACR15FR*E	AREA COMMON TO COVE PANEL AND THE RIB
NAS1398D*A*, NAS1398MW*A*, NAS1738E*, BACR15FR*E	AREA COMMON TO COVE PANEL AND THE WEDGE
MS21141U**P OPTIONAL: HILOKS BACB3OVT** IN CLASS I HOLES (HILOKS INSTALLED WITH MANUFACTURED HEAD ON THE INSIDE OF THE SLAT BODY)	AREA COMMON TO COVE PANEL, RIB, AND THE WEDGE
MS21141U**P	AREA COMMON TO COVE PANEL AND THE LOWER CHORD
MS21141U**P	AREA COMMON TO COVE PANEL AND STIFFENERS
BACR15CE*AD* OR BACR15CE*D*	AREA WHERE BACR15CE*KE* FASTENERS ARE USED. 

**RIVET SUBSTITUTION  
TABLE 2**

- |   |  |
|---|--|
| <p> RIVET SUBSTITUTIONS ALLOWED WITHIN A SPECIFIED AREA. BLIND RIVET SUBSTITUTIONS ARE NOT PERMITTED FOR BOLTS OR SCREWS</p> <p> SUBSTITUTION IS OPTIONAL. BUT IF YOU SUBSTITUTE, USE ONLY ONE TYPE OF RIVETS FOR ALL SUBSTITUTIONS. DO NOT MIX RIVET TYPES</p> <p> SHORT FASTENER HOLE EDGE DISTANCES ARE PERMITTED IN THIS AREA.</p> <p>1. FASTENER HOLE EDGE DISTANCE OF 1.50 X FASTENER DIAMETER AT ALL LOCATIONS ON WEDGE SPAR CHORDS</p> | <p>2. FASTENER HOLE EDGE DISTANCE OF 1.25-1.50 X FASTENER DIAMETER IN NO MORE THAN 2 CONSECUTIVE FASTENER HOLES AND IN NO MORE THAN 3 IN ANY 10 CONSECUTIVE FASTENER HOLES</p> <p>3. FASTENER HOLE EDGE DISTANCE IS MEASURED FROM THE CENTER OF THE HOLE TO THE FREE EDGE OF THE CHORD</p> |
|---|--|

Rivet Substitution  
Figure 602 (Sheet 2)

ASSEMBLY

1. Materials

NOTE: Equivalent substitutes may be used.

- A. Adhesive -- Type 60 (Ref 20-50-12)
- B. Enamel -- BMS 10-60, BAC701 black gloss (Ref 20-60-02)
- C. Grease -- MIL-C-11796, Class 3 (Ref 20-60-03)  
-- BMS 3-24 (Ref 20-60-03)
- D. Parting agent (Ref 20-60-04)
- E. Primer -- BMS 10-11, Type 1 (Ref 20-60-02)
- F. Sealant -- BMS 5-95 (Ref 20-60-04)

2. Assembly

- A. Use standard industry practices for assembly of this component, plus additional procedures in following steps.
- B. Assemble auxiliary arm and rib assembly (618, 620, 622, 624, IPL Fig. 2).
  - (1) Fay surface seal plate (732A, 733) to arm assembly (668, 670, 672, 674, 688, 690, 692, 694) using BMS 5-95 sealant.
  - (2) Install fasteners (726A, 728, 730) using BMS 5-95 sealant.
  - (3) Fill gaps between plates (732A, 733) and bushing (676A, 690A) flanges with sealant, BMS 5-95.
  - (4) Deleted
  - (5) Deleted
  - (6) Deleted
  - (7) Deleted
  - (8) Fay surface seal arm assemblies (668, 670, 672, 674, 688, 690, 692, 694) to rib assemblies (708, 710, 712, 714) and install fasteners (644A, 654A) with BMS 5-95 sealant.

**57-43-45**

ASSEMBLY  
Page 701  
Jun 01/97

01.1

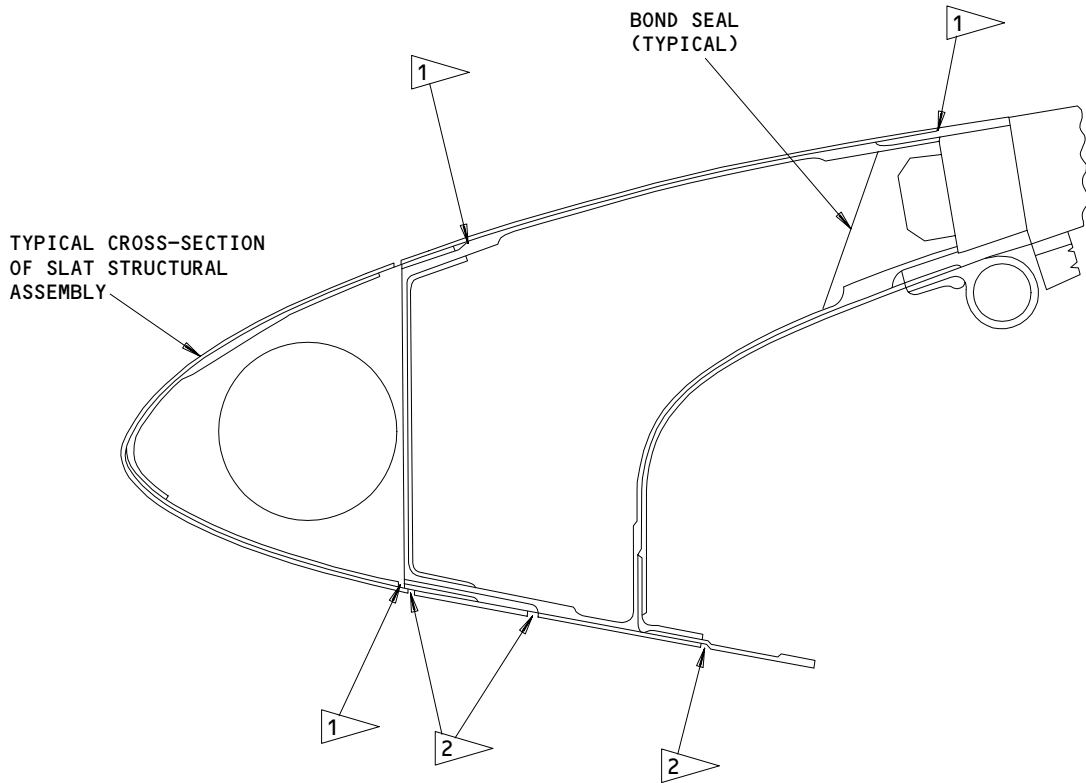


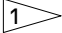

- C. Assemble auxiliary rib assembly (536, 540, IPL Fig. 3; 550, 554, IPL Fig. 4).
- (1) Fay surface seal plates (574A, 574B, IPL Fig. 3; 590, 592, IPL Fig. 4) to ribs (576, 580, IPL Fig. 3; 594, 598, IPL Fig. 4) with sealant, BMS 5-95.
  - (2) Install fasteners (568A, 570, 572, IPL Fig. 3; 584, 586, 588, IPL Fig. 4) with sealant, BMS 5-95.
  - (3) Fill gaps between plates (574A, 574B, IPL Fig. 3; 590, 592, IPL Fig. 4) and bushing (562, IPL Fig. 3; 582, IPL Fig. 4) flanges with sealant, BMS 5-95.
- D. Assemble outboard slat No. 2 and No. 11 wing leading edge structure assembly (1, 5, IPL Fig. 2; 1, 1A thru 1E, 5, 5A thru 5E, IPL Fig. 3; 1, 4, IPL Fig. 4).
- (1) Bond seals (106, 108, IPL Fig. 2, 3 or 4) to slat structure assembly using adhesive per 20-50-12, Type 60.
  - (2) Bond indicated seals (Fig. 701) using adhesive per 20-50-12, Type 60.
  - (3) Fill skin joints (Fig. 701) using aerosmoother, BMS 5-95 per 20-50-11, Method 2. Aerosmoother must be flush or below skin surface. Excess must be removed per 20-50-11.
  - (4) Fay surface seal marker (850, IPL Fig. 2; 722, IPL Fig. 3; 388, IPL Fig. 4) with sealant, BMS 5-95.
- E. Install fitting assembly (577, 578A, 583, 585, IPL Fig. 2; 501A, 502A, 507, 508A, IPL Fig. 3).
- (1) Apply parting agent to fitting assembly (577, 578A, 583, 585, IPL Fig. 2; 501A, 502A, 507, 508A, IPL Fig. 3).
  - (2) Apply fay surface seal and fill cavities behind fitting assembly (577, 578A, 583, 585, IPL Fig. 2; 501A, 502A, 507, 508A, IPL Fig. 3) with sealant, BMS 5-95.
  - (3) Install fasteners (537, 545, 561, 561F, IPL Fig. 2; 460B, 461M, 481C, 481Z, IPL Fig. 3) with grease, BMS 3-24.
- F. Assemble slat structure assembly (1 thru 1F, 1H, 1J, 1L, 1M, 1N, 3A, 3B, 3C, 5 thru 5F, 5H, 5J, 5L, 5M, 5N, 7A, 7B, 7C, IPL Fig. 1)
- (1) Paint completed structure assembly per Miscellaneous Parts Refinish, Repair 9-1.

**57-43-45**

ASSEMBLY  
Page 702  
Mar 01/00

01.1



-  FILL CAVITIES COMPLETELY WITH BMS 5-95 SEALANT. EXTERNAL SEALANT MUST BE FLUSH OR BELOW SKIN SURFACE
-  FILL SKIN JOINTS WITH AEROSMOOTHER BMS 5-95, METHOD II. AEROSMOOTHER MUST BE FLUSH OR BELOW SKIN SURFACE

ALL DIMENSIONS ARE IN INCHES

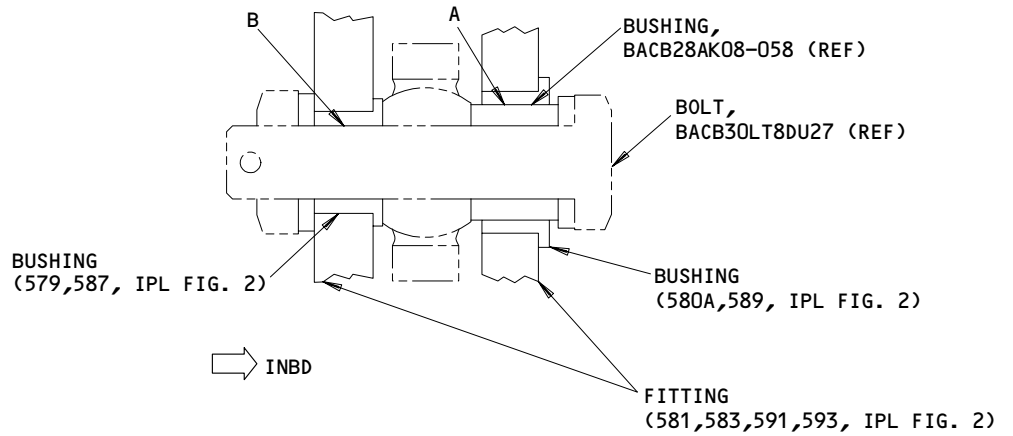
Sealant Application  
Figure 701

**57-43-45**

ASSEMBLY  
Page 703  
Jun 01/97

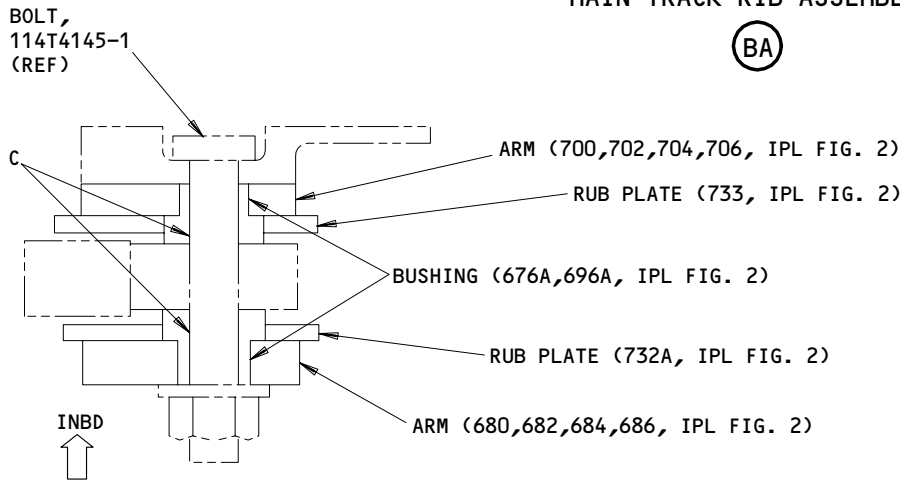
01.1

FITS AND CLEARANCES



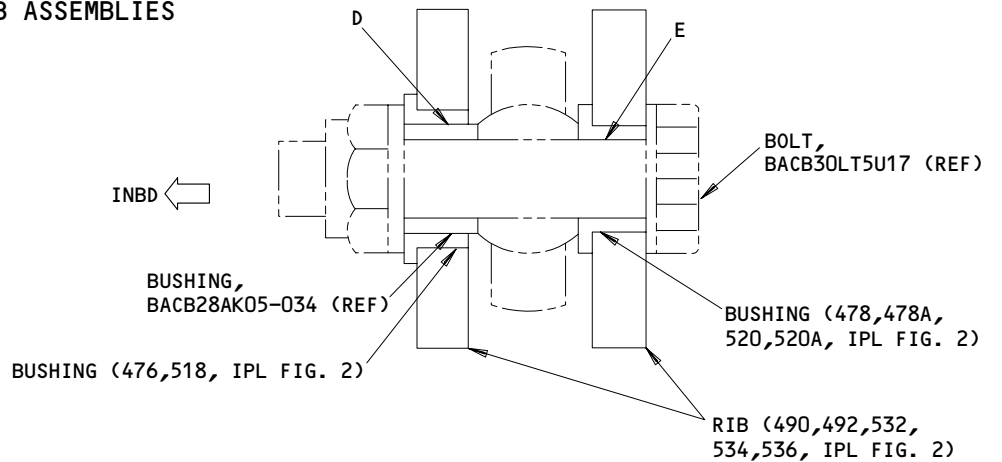
MAIN TRACK RIB ASSEMBLIES

(BA)



AUXILIARY ARM AND RIB ASSEMBLIES

(BB)

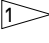
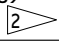

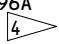
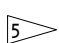
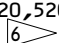


ACTUATOR RIB ASSEMBLIES

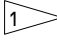
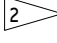
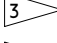
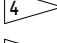
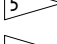
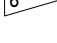
(BC)

Fits and Clearances  
 Figure 801 (Sheet 1)

**57-43-45**

Ref Letter Fig.801	Mating Item No. IPL Fig.2	Design Dimension				Service Wear Limit		
		Dimension		Assembly Clearance 		Dimension		Maximum Clearance
		Min	Max	Min	Max	Min	Max	
A	ID 580A, 589 OD 	0.6870 0.6860	0.6877 0.6875	0.0005	0.0017	0.6826	0.6916	0.0051
B	ID 579,587 OD 	0.5000 0.4990	0.5007 0.4995	0.0005	0.0017	0.4957	0.5045	0.0050
C	ID 676A, 696A OD 	0.2500 0.2485	0.2505 0.2495	0.0005	0.0020	0.2455	0.2545	0.0050
D	ID 476,518 OD 	0.4375 0.4365	0.4382 0.4370	0.0005	0.0017	0.4332	0.4420	0.0050
E	ID 478,478A 520,520A OD 	0.3125 0.3115	0.3131 0.3120	0.0005	0.0016	0.3081	0.3170	0.0050

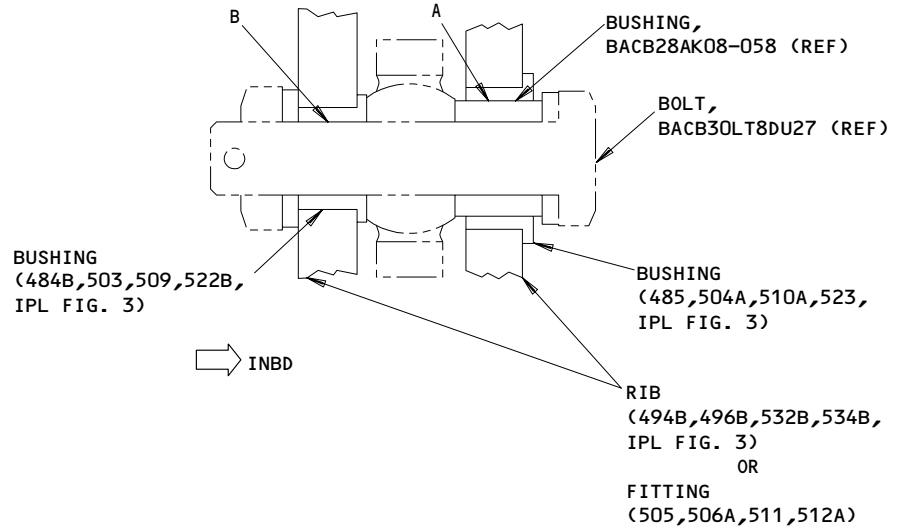
ALL DIMENSIONS ARE IN INCHES

-  NEGATIVE VALUES DENOTE INTERFERENCE FIT
-  BUSHING, BACB28AK08-058 (REF)
-  BOLT, BACB30LT8DU27 (REF)
-  BOLT, 114T4145-1 (REF)
-  BUSHING, BACB28AK05-034 (REF)
-  BOLT, BACB30LT5U17 (REF)

Fits and Clearances  
Figure 801 (Sheet 2)

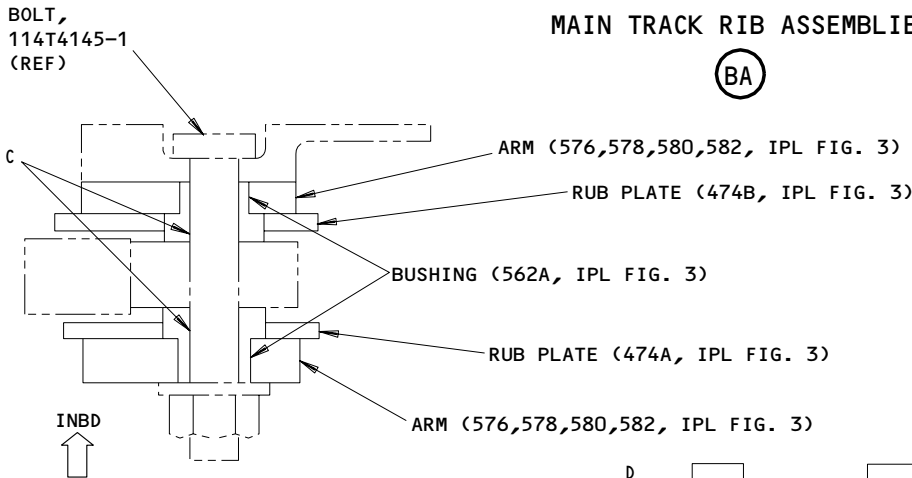
**57-43-45**

FITS AND CLEARANCES  
01.1 Page 802  
Jun 01/97



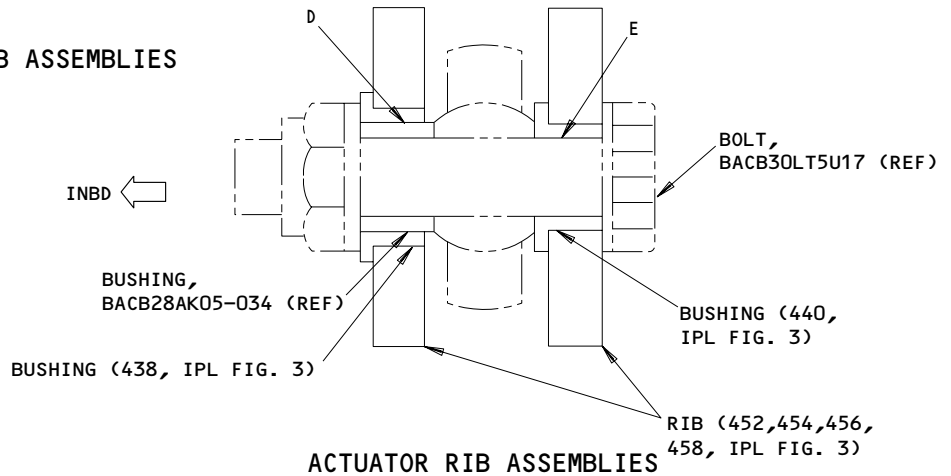
**MAIN TRACK RIB ASSEMBLIES**

(BA)



**AUXILIARY ARM AND RIB ASSEMBLIES**

(BB)

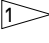
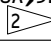
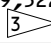
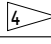
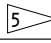
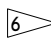


**ACTUATOR RIB ASSEMBLIES**

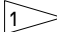
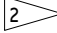
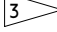
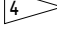
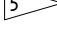
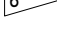
(BC)

Fits and Clearances  
 Figure 802 (Sheet 1)

**57-43-45**

Ref Letter Fig.802	Mating Item No. IPL Fig.3	Design Dimension				Service Wear Limit		
		Dimension		Assembly Clearance 		Dimension		Maximum Clearance
		Min	Max	Min	Max	Min	Max	
A	ID 485,504A, 510A,523 OD 	0.6870 0.6860	0.6877 0.6875	0.0005	0.0017	0.6826	0.6916	0.0051
B	ID 484B,503, 509,522B OD 	0.5000 0.4990	0.5007 0.4995	0.0005	0.0017	0.4957	0.5045	0.0050
C	ID 562A OD 	0.2500 0.2485	0.2505 0.2495	0.0005	0.0020	0.2455	0.2545	0.0050
D	ID 438 OD 	0.4375 0.4365	0.4382 0.4370	0.0005	0.0017	0.4332	0.4420	0.0050
E	ID 440 OD 	0.3125 0.3115	0.3131 0.3120	0.0005	0.0016	0.3081	0.3170	0.0050

ALL DIMENSIONS ARE IN INCHES

-  NEGATIVE VALUES DENOTE INTERFERENCE FIT
-  BUSHING, BACB28AK08-058 (REF)
-  BOLT, BACB30LT8DU27 (REF)
-  BOLT, 114T4145-1 (REF)
-  BUSHING, BACB28AK05-034 (REF)
-  BOLT, BACB30LT5U17 (REF)

Fits and Clearances  
 Figure 802 (Sheet 2)

**57-43-45**

FITS AND CLEARANCES  
 01.1 Page 804  
 Jun 01/97

SPECIAL TOOLS, FIXTURES, AND EQUIPMENT

NOTE: Equivalent substitutes may be used.

1. A57003-5, -6, -7 - OUTBD LE Slat Wedge Replacement Locating Equipment \*[1]
2. Holding Fixture - Slat Structure Assembly Holding Fixture \*[2]

\*[1] A57003 supersedes MIT114T4111.

\*[2] Locally fabricated from wood or equivalent material. See Fig. 601 of REPAIR 11-1.

**57-43-45**

SPECIAL TOOLS

01.1

Page 901

Jun 01/97

ILLUSTRATED PARTS LIST

1. This section lists and illustrates replaceable or repairable component parts. The Illustrated Parts Catalog contains a complete explanation of the Boeing part numbering system.

2. Indentures show parts relationships as follows:

Assembly

Detail Parts for Assembly

Subassembly

Attaching Parts for Subassembly

Detail Parts for Subassembly

Detail Installation Parts (Included only if installation parts may be returned to shop as part of assembly)

3. One use code letter (A, B, C, etc.) is assigned in the EFF CODE column for each variation of top assembly. All listed parts are used on all top assemblies except when limitations are shown by use code letter opposite individual part entries.

4. Letter suffixes (alpha-variants) are added to item numbers for optional parts, Service Bulletin modification parts, configuration differences (except left- and right-hand parts), product improvement parts, and parts added between two sequential item numbers. The alpha-variant is not shown on illustrations when appearance and location of all variants of the part are the same.

5. Service Bulletin modifications are shown by the notations PRE SB XXXX and POST SB XXXX.

A. When a new top assembly part number is assigned by Service Bulletin, the notations appear at the top assembly level only. The configuration differences at detail part level are then shown by use code letter.

B. When the top assembly part number is not changed by the Service Bulletin, the notations appear at the detail part level.

6. Parts Interchangeability

Optional  
(OPT)

The parts are optional to and interchangeable with other parts having the same item number.

Supersedes, Superseded By  
(SUPSDS, SUPSD BY)

The part supersedes and is not interchangeable with the original part.

Replaces, Replaced By  
(REPLS, REPLD BY)

The part replaces and is interchangeable with, or is an alternate to, the original part.

57-43-45



7. Boeing Proprietary Color Coded Parts

| Color coded parts are identified with an alpha or "SP" suffix. The entry represents consolidation of all color codes applicable for a given usage. Orders for color coded parts should include the registry number of the airplane for which the parts are ordered.

**57-43-45**

ILLUSTRATED PARTS LIST  
01.1 Page 1002  
Nov 01/00

VENDORS

OPTK6 SPS TECHNOLOGIES INC AEROSPACE PRODUCTS DIV  
5195 W 4700 SPO BOX 18459  
KEARNS, UTAH 84118

06725 AIR INDUSTRIES CORPORATION  
12570 KNOTT STREET  
GARDEN GROVE, CALIFORNIA 92641-3932  
FORMERLY AIR INDUSTRIES OF CALIF IN GARDENA, CALIF.

08524 DEUTSCH FASTENER CORP SEE CODE V97928

15653 KAYNAR TECHNOLOGY KAYNAR DIV  
800 SOUTH STATE COLLEGE BLVD PO BOX 3001  
FULLERTON, CALIFORNIA 92831-3001  
FORMERLY MICRODOT AEROSP LTD VK6405

5M902 FAIRCHILD IND INC FAIRCHILD AEROSPACE FASTENER DIV  
3016 W LOMITA BLVD  
TORRANCE, CALIFORNIA 90505-5103  
FMLY IN REDONDO BEACH, CALIF

52828 REPUBLIC FASTENER MFG CORP  
1300 RANCHO CONEJO BLVD  
NEWBURY PARK, CALIFORNIA 91320-1405  
FORMERLY IN SYLMAR, CALIFORNIA

56878 SPS TECHNOLOGIES INC AEROSPACE AND INDUSTRIAL PRODUCTS DIV  
HIGHLAND AVENUE  
JENKINTOWN, PENNSYLVANIA 19046  
FORMERLY STANDARD PRESSED STEEL

60516 WEST COAST AEROSPACE INC  
812 MIRAFLORES STREET  
SAN PEDRO, CALIFORNIA 90731-1439

71087 BOOTS ACFT NUT DIV TOWNSEND CO SEE TEXTRON INC CHERRY  
FASTENER TOWNSEND DIV V11815

72962 HARVARD INDUSTRIES INC  
3 WERNER WAY SUITE 210  
LEBANON, NEW JERSEY 08833  
FORMERLY AMERACE CORP ESNA DIV  
FORMERLY ELASTIC STOP NUT IN UNION, NJ

73197 HI-SHEAR TECHNOLOGY CORP  
2600 SKYPARK DRIVE  
TORRANCE, CALIFORNIA 90509

57-43-45

ILLUSTRATED PARTS LIST  
01.1 Page 1003  
Nov 01/00

VENDORS

80539 SPS TECHNOLOGIES INC AEROSPACE PRODUCTS DIV  
2701 SOUTH HARBOR BOULEVARD PO BOX 1259  
SANTA ANA, CALIFORNIA 92702-1259  
FORMERLY NUTT-SHEL DIV OF SPC WESTERN CO V80539  
AND STANDARD PRESSED STEEL WESTERN DIV V17279

92215 FAIRCHILD IND INC FAIRCHILD AEROSPACE FASTENER DIV  
3010 W LOMITA BLVD  
TORRANCE, CALIFORNIA 90505-5102  
FORMERLY VOI-SHAN IN CULVER CITY, CALIF

**57-43-45**

ILLUSTRATED PARTS LIST  
01.1 Page 1004  
Nov 01/00

114T4102  
 015T0165  
 015T1507  
 DASH NUMBERS LIMITED

 **BOEING**  
 COMPONENT  
 MAINTENANCE MANUAL

PART NUMBER	AIRLINE PART NO.	FIG.	ITEM	TTL REQ	
AN960PD10		2	14	1	
		2	56	9	
		2	76	14	
		2	184	2	
		2	284	2	
		2	340	18	
		2	460	5	
		2	500	3	
		2	548	16	
		2	630	4	
		2	814	1	
		3	14	1	
		3	56	9	
		3	180	2	
		3	274	2	
		3	336	34	
		3	428	10	
		3	468	16	
		3	469	8	
		3	548	4	
		3	549	4	
		3	676	1	
		4	10	1	
		4	42	9	
		4	188	2	
		4	290	2	
		4	366	34	
		4	492	16	
		4	562	4	
		4	696	1	
	AN960PD10L		2	12	54
			2	57	2
			2	112	2
			2	770	42
		2	790	7	
		2	812	21	
		3	12	54	
		3	57	2	
		3	112	1	
		3	634	42	
		3	674	21	
		4	8	50	
		4	8L	4	
		4	44	2	
	4	112	1		

**57-43-45**

ILLUSTRATED PARTS LIST  
 01.1 Page 1005  
 Nov 01/00

PART NUMBER	AIRLINE PART NO.	FIG.	ITEM	TTL REQ
AN960PD10L		4	652	42
		4	694	21
AN960PD8L		2	728	8
		3	570	8
		4	586	8
BACB28AM07B015A		2	476	1
		2	518	1
BACB28AM07B020A		3	438	2
		4	464	2
BACB28AM11B020A		2	580A	1
		2	589	1
		3	504A	1
		3	510A	1
BACB28AM11B040A		3	485	1
		3	523	1
		4	514	1
		4	536	1
BACB28AP05P014		2	478	1
		2	520	1
BACB28AP05P019		3	440	2
		4	466	2
BACB28AP06P019		4	466A	2
BACB28AP08P039		3	484B	1
		3	522B	1
		4	512	1
		4	532	1
BACB28AT08B019C		4	464A	2
BACB30FN5A3		2	726A	8
		3	568B	8
		4	584A	8
BACB30FN5A3N		3	568A	8
		4	584	8
BACB30FP12-22		2	654A	2
BACB30FP6A3		3	555	2
BACB30LL3-3		2	628B	2
BACB30LL3-3X		2	629C	2
BACB30LL3-7		2	561F	2
		3	481J	2
BACB30LL3K3X		2	629B	2
BACB30MY10K10		2	545	4
		3	461M	4
BACB30MY14K22		2	644A	2
BACB30MY6K		2	468	1
		2	508	1

# 57-43-45

 ILLUSTRATED PARTS LIST  
 01.1 Page 1006  
 Nov 01/00

114T4102  
 015T0165  
 015T1507  
 DASH NUMBERS LIMITED

 **BOEING**  
 COMPONENT  
 MAINTENANCE MANUAL

PART NUMBER	AIRLINE PART NO.	FIG.	ITEM	TTL REQ	
BACB30MY6K		2	554	4	
		2	636	2	
		3	433G	2	
		3	474	6	
		3	554	2	
		4	498	6	
		4	572	2	
	BACB30MY6K5		2	537	8
			3	460B	8
			4	376	8
BACB30ND5A3		2	726B	8	
BACB30ND6A3X		3	553H	6	
BACB30ND6A4X		3	553	4	
BACB30ND6A6X		3	553R	4	
BACB30NM3K10		2	156D	2	
		2	298D	2	
		3	154H	2	
		3	294H	2	
BACB30NN3K4		2	50	1	
		2	74	13	
		2	784	5	
		3	50	1	
		3	74	13	
		3	648	4	
		4	36	1	
		4	62	13	
		4	668	4	
	BACB30NN3K5		2	72	1
		2	434	56	
		2	447G	4	
		3	72	2	
		3	398	56	
		3	398A	58	
		3	411M	4	
		4	60	2	
		4	426	58	
		4	450	4	

**57-43-45**

ILLUSTRATED PARTS LIST  
 01.1 Page 1007  
 Nov 01/00

PART NUMBER	AIRLINE PART NO.	FIG.	ITEM	TTL REQ	
BACB30NN3K6		2	110	2	
		2	154	17	
		2	204	4	
		2	230	2	
		2	256	5	
		2	297	14	
		3	110	1	
		3	152	17	
	BACB30NN3K6		3	198	5
			3	224	2
		3	248	5	
		3	292	14	
		4	110	1	
		4	152	17	
		4	208	5	
		4	236	2	
		4	262	5	
		4	310	12	
BACB30NN3K8		4	6L	2	
BACB30NN3K9		2	156H	2	
		2	298H	2	
		3	154M	2	
		3	294M	2	
		4	7	2	
BACB30NT3K2		2	806	2	
		3	668	1	
		4	688	1	
BACB30NT3K22		3	463	4	
BACB30NT3K3		2	54	1	
		2	178	2	
		2	232	2	
		2	278	2	
		3	54	1	
		3	176	2	
		3	228	2	
		3	270	2	
		4	40	1	
		4	184	2	
	4	240	2		
	4	286	2		

# 57-43-45

 ILLUSTRATED PARTS LIST  
 01.1 Page 1008  
 Nov 01/00

114T4102  
 015T0165  
 015T1507  
 DASH NUMBERS LIMITED

 **BOEING**  
 COMPONENT  
 MAINTENANCE MANUAL

PART NUMBER	AIRLINE PART NO.	FIG.	ITEM	TTL REQ	
BACB30NT3K4		2	52	4	
		2	134	1	
		2	786	2	
		2	808	14	
		3	52	4	
		3	670	14	
		4	38	4	
		4	690	14	
	BACB30NT3K5		2	136	1
			2	180	3
		2	280	3	
		2	318	2	
		2	768	42	
BACB30NT3K5		3	134	2	
		3	178	4	
		3	218	4	
		3	226	2	
		3	272	4	
		3	314	2	
		3	632	42	
		3	650	2	
		4	134	2	
		4	186	4	
		4	230	4	
		4	238	2	
		4	288	4	
		4	342	2	
		4	650	42	
BACB30NT3K6		4	670	2	
		2	182	1	
		2	282	1	
		2	626	4	
		3	544	4	
		4	558	4	
		4	650A	42	

**57-43-45**

ILLUSTRATED PARTS LIST  
 01.1 Page 1009  
 Nov 01/00



PART NUMBER	AIRLINE PART NO.	FIG.	ITEM	TTL REQ
BACB30NT3K7		2	10	54
		2	156	63
		2	206	18
		2	222	14
		2	258	20
		2	298	62
		3	10	54
		3	154	63
		3	154D	4
		3	200A	18
		3	250	20
		3	294	60
		3	294D	4
		4	6	50
		4	6R	4
		4	154	63
		4	210	18
		4	264	20
		4	312	67
	BACB30NU3K3		2	628A
BACB30NU3K3X		2	629A	2
BACB30NU3K5		2	132	11
		2	176	9
BACB30NU3K5		2	228	20
		2	276	8
		2	316	13
		2	458	3
		2	498	3
		2	547	8
		3	132	11
		3	174	9
		3	222	20
		3	268	8
		3	312	13
		3	426	6
		3	466	8
		3	546B	4
		4	132	11
		4	182	9
		4	234	20
		4	284	8
		4	340	13
		4	490	8

# 57-43-45

 ILLUSTRATED PARTS LIST  
 01.1 Page 1010  
 Nov 01/00

114T4102  
 015T0165  
 015T1507  
 DASH NUMBERS LIMITED

 **BOEING**  
 COMPONENT  
 MAINTENANCE MANUAL

PART NUMBER	AIRLINE PART NO.	FIG.	ITEM	TTL REQ
BACB30NU3K6		2	456	2
BACB30NU3K7		2	546	8
		3	424	4
BACB30NU3K8		3	464	8
		4	488	8
BACB30NW5K		2	339	12
		2	464	5
		2	504	5
		3	433	6
BACB30NW5K5		3	546A	4
		4	560	4
BACB30NW6D6X		3	553S	4
BACB30NW6K		2	338	34
		2	506	2
		2	552	16
		2	634	14
		2	858	10
		3	334	34
		3	432	4
		3	472	16
		3	552	14
		3	730	10
		4	364	34
		4	396	10
		4	496	16
BACB30NW6K		4	570	14
BACB30NW6K3		3	555H	8
BACB30NW6K3X		3	553J	6
BACB30NW6K4X		3	553A	4
BACB30NW6K9X		2	561	4
		3	481C	4
BACB30VF3K5		4	132A	11
		4	182A	9
		4	234A	20
		4	284A	8
		4	340A	13
		4	490A	8
BACB30VF3K8		4	488A	8
BACB30VT6K4		3	477	12
		4	501	12
BACB30YP5K5		4	560A	4
BACCOM5		2	343	12
BACC30AG10		2	545G	4
		3	461R	4
BACC30BL5		4	568A	4
BACC30BL6		3	479	12
		4	503	12

**57-43-45**

ILLUSTRATED PARTS LIST  
 01.1 Page 1011  
 Nov 01/00

PART NUMBER	AIRLINE PART NO.	FIG.	ITEM	TTL REQ
BACC30M12		2	662A	2
BACC30M14		2	652A	2
BACC30M5		2	466	5
		2	510	5
		3	435	6
		3	551	4
		4	568	4
BACC30M6		2	342	34
		2	470	1
		2	512	3
		2	556A	20
		2	561C	4
		2	638	16
		2	860	10
		3	338	34
		3	434	6
		3	476	22
		3	481F	4
		3	556	16
		3	557	24
		3	732	10
		4	368	34
		4	398	10
BACC30M6		4	500	22
		4	574	16
BACF3F005R005NN		3	437	2
		3	481	4
		3	559	2
		4	506	4
		4	578	2
BACF3F008E080NN		2	208	1
		2	260	1
BACF3F008E134NN		2	324	1
BACF3F008E147NN		2	142	1
BACF3F008E262NN		2	236	1
BACF3F009E080NN		3	202A	1
		3	252A	1
		4	212	1
		4	266	1
BACF3F009E178NN		2	142A	1
		3	140	1
		4	140	1
BACF3F009E180NN		2	324A	1
		3	320	1
		4	348	1
BACF3F009E262NN		3	232A	1
		4	244	1

# 57-43-45

 ILLUSTRATED PARTS LIST  
 01.1 Page 1012  
 Nov 01/00

114T4102  
 015T0165  
 015T1507  
 DASH NUMBERS LIMITED

 **BOEING**  
 COMPONENT  
 MAINTENANCE MANUAL

PART NUMBER	AIRLINE PART NO.	FIG.	ITEM	TTL REQ
BACN10JC08		3	572A	8
		4	588A	8
BACN10JC08CD		2	730A	8
		3	572	8
BACN10JC3		4	588	8
		2	16	1
BACN10JC3		2	58	6
		2	78	14
		2	116	2
		2	186	2
		2	286	2
		2	462	5
		2	502	3
		2	538A	8
		2	542A	4
		2	550	16
		2	561J	2
		2	632	8
		2	792	5
		2	816	13
		3	16	1
		3	58	6
		3	116	1
		3	182	2
		3	276	2
		3	430	10
3	460F	8		
3	461	4		
3	470	16		
3	471	4		
3	481M	2		
3	549H	4		
3	550	4		
3	654	4		
3	678	13		
4	12	1		
4	46	6		
4	114	1		
4	190	2		
4	292	2		
4	378	12		
4	494	16		
4	566	8		
4	674	4		
4	698	13		

**57-43-45**

ILLUSTRATED PARTS LIST  
 01.1 Page 1013  
 Nov 01/00

PART NUMBER	AIRLINE PART NO.	FIG.	ITEM	TTL REQ
BACN10JC3CD		4	46A	6
		4	114A	1
		4	190A	2
		4	292A	2
		4	378A	12
		4	494A	16
		4	566A	8
		4	12L	1
BACN10JC3D		2	250	2
BACN10JN3		3	81	5
		3	85	4
		3	89	3
		3	95A	3
		3	590	4
		3	604	1
		3	612	2
		3	622	1
		4	68	5
		4	76	4
		4	84	3
		4	94	3
		4	608	4
		4	622	1
	4	630	2	
	4	640	1	
BACN10JN3		2	44	50
		2	198	2
		2	244	2
		2	293	2
		2	332	1
		2	442	7
		2	763	2
		2	776	42
		3	44	50
		3	192	2
		3	240	2
		3	286	2
		3	328	1
		3	406	7
		3	640	42
		4	30	50
		4	200	2
		4	252	2
	4	302	2	
	4	356	1	
	4	434	7	
	4	658	42	
BACN10JQ32		2	44	50
		2	198	2
		2	244	2
		2	293	2
		2	332	1
		2	442	7
		2	763	2
		2	776	42
		3	44	50
		3	192	2
		3	240	2
		3	286	2
	3	328	1	
	3	406	7	
	3	640	42	
	4	30	50	
	4	200	2	
	4	252	2	
	4	302	2	
	4	356	1	
	4	434	7	
	4	658	42	

# 57-43-45

 ILLUSTRATED PARTS LIST  
 01.1 Page 1014  
 Nov 01/00

114T4102  
 015T0165  
 015T1507  
 DASH NUMBERS LIMITED

 **BOEING**  
 COMPONENT  
 MAINTENANCE MANUAL

PART NUMBER	AIRLINE PART NO.	FIG.	ITEM	TTL REQ	
BACN10JQ33		2	46	2	
		2	150	11	
		2	164	3	
		2	200	5	
		2	246	20	
		2	268	1	
		2	294	4	
		2	306	3	
		2	334	12	
		2	440	7	
		2	450	4	
		2	568	16	
		2	608	18	
		2	740	3	
		3	46	1	
		3	148	11	
		3	162	3	
		3	194	5	
	BACN10JQ33		3	210	1
			3	242	18
		3	260	1	
		3	288	4	
		3	302	3	
		3	330	12	
		3	404	7	
		3	414	4	
		3	488	16	
		3	488B	14	
		3	526	18	
		3	526B	14	
		3	600	3	
		4	32	1	
		4	148	11	
		4	164	3	
		4	202	5	
		4	220	1	
		4	254	18	
		4	274	1	
	4	304	4		
	4	322	3		
	4	358	12		
	4	432	7		
	4	454	4		
	4	518	14		
	4	540	14		
	4	618	3		

**57-43-45**

ILLUSTRATED PARTS LIST  
 01.1 Page 1015  
 Nov 01/00

PART NUMBER	AIRLINE PART NO.	FIG.	ITEM	TTL REQ
BACN10JQ34		2	166	13
		2	216	4
		2	248	6
		2	270	4
		2	308	10
		2	438	30
		2	482	2
		2	524	2
		2	742	2
		2	756	3
		3	164	13
		3	212	4
		3	262	4
		3	304	10
		3	402	30
		3	402A	32
BACN10JQ34		3	444	8
		3	602	2
		3	620	3
		4	166	13
		4	222	4
		4	276	4
		4	324	10
		4	430	32
		4	470	8
		4	620	2
BACN10JQ35		4	638	3
		2	168	22
		2	218	12
		2	272	14
		2	310	25
		2	484	10
		2	526	12
		3	166	22
		3	214	12
		3	264	14
		3	306	25
		3	446	20
		4	168	22
		4	224	12
		4	278	14
		4	326	25
	4	472	20	

**57-43-45**

ILLUSTRATED PARTS LIST  
 01.1 Page 1016  
 Nov 01/00

114T4102  
 015T0165  
 015T1507  
 DASH NUMBERS LIMITED

 **BOEING**  
 COMPONENT  
 MAINTENANCE MANUAL

PART NUMBER	AIRLINE PART NO.	FIG.	ITEM	TTL REQ	
BACN10JQ36		2	170	8	
		2	220	6	
		2	274	6	
		2	311	8	
		3	168	8	
		3	216	6	
		3	266	6	
		3	307	8	
		4	170	8	
		4	226	6	
		4	280	6	
		4	328	8	
	BACN10KH3		2	48	2
			2	152	2
		2	172	4	
		2	202	6	
		2	252	8	
		2	295	6	
		2	312	4	

**57-43-45**

ILLUSTRATED PARTS LIST  
 01.1 Page 1017  
 Nov 01/00



PART NUMBER	AIRLINE PART NO.	FIG.	ITEM	TTL REQ	
BACN10KH3		2	336	2	
		2	444	4	
		2	486	4	
		2	528	4	
		2	570	2	
		2	610	2	
		2	744	1	
		2	758	1	
		3	48	2	
		3	150	1	
		3	170	4	
		3	196	4	
		3	244	4	
		3	290	4	
		3	308	4	
		3	332	1	
		3	408	4	
		3	448	4	
		3	490	2	
		3	528	2	
		3	592	2	
		3	606	1	
		3	624	1	
		4	34	2	
		4	150	1	
		4	172	4	
		4	204	4	
		4	256	4	
		4	306	4	
		4	330	4	
		4	360	1	
		4	436	4	
		4	474	4	
		4	520	2	
		4	542	2	
		4	610	2	
		4	624	1	
		4	642	1	
	BACN10P43AL		3	672	6
			4	692	6
	BACN10YF32		4	30A	50
			4	200A	2
			4	252A	2
		4	302A	2	
		4	356A	1	

**57-43-45**

ILLUSTRATED PARTS LIST  
 01.1 Page 1018  
 Nov 01/00

114T4102  
 015T0165  
 015T1507  
 DASH NUMBERS LIMITED

 **BOEING**  
 COMPONENT  
 MAINTENANCE MANUAL

PART NUMBER	AIRLINE PART NO.	FIG.	ITEM	TTL REQ
BACN10YF32		4	434A	7
		4	470A	8
		4	472A	20
		4	658A	42
BACN10YF33		4	32A	1
		4	148A	11
		4	164A	3
		4	202A	5
		4	220A	1
		4	254A	18
		4	274A	1
		4	304A	4
		4	322A	3
		4	358A	12
		4	432A	7
		4	454A	4
BACN10YF34		4	166A	13
		4	222A	4
		4	276A	4
		4	324A	10
BACN10YF35		4	430A	32
		4	168A	22
		4	224A	12
		4	278A	14
BACN10YF36		4	326A	25
		4	170A	8
		4	226A	6
		4	280A	6
BACR15BA3AD		4	328A	8
		2	42	108
		2	148	26
		2	162	100
		2	196	26
		2	214	48
		2	242	76
		2	266	30
		2	292	24
		2	304	92
		2	330	30
		2	436	96
		2	448	8
		2	480	32
		2	522	36
		2	566	36
	2	606	20	

**57-43-45**

ILLUSTRATED PARTS LIST  
 01.1 Page 1019  
 Nov 01/00

PART NUMBER	AIRLINE PART NO.	FIG.	ITEM	TTL REQ
BACR15BA3AD		2	738	12
		2	754	8
		2	762G	4
		2	774	84
		3	42	106
		3	95	6
		3	146	24
		3	160	100
		3	190	22
		3	191	18
		3	208	50
		3	238	48
		3	258	30
		3	284	20
		3	285	16
		3	300	92
		3	326	28
		3	400	96
		3	400A	100
		3	412	8
		3	442	64
		3	486	36
		3	486B	32
		3	524	40
		3	524B	32
		3	588	12
		3	598	14
		3	610	4
		3	618	10
		3	638	84
		4	28	106
		4	92	6
	4	146	24	
	4	162	100	
	4	198	22	
	4	218	50	
	4	250	48	
	4	272	50	
	4	300	20	
	4	320	100	
	4	354	28	
	4	428	100	
	4	452	8	
	4	468	64	
	4	516	32	

**57-43-45**

ILLUSTRATED PARTS LIST  
 01.1 Page 1020  
 Nov 01/00

114T4102  
 015T0165  
 015T1507  
 DASH NUMBERS LIMITED

 **BOEING**  
 COMPONENT  
 MAINTENANCE MANUAL

PART NUMBER	AIRLINE PART NO.	FIG.	ITEM	TTL REQ
BACR15BA3AD		4	538	32
		4	606	12
		4	616	14
		4	628	4
		4	636	10
		4	656	84
	BACR15BA3AD7		3	285H
BACR15BA5A		2	447	4
		3	411G	4
		4	448	4
BACR15BB3AD		2	848	4
		3	720	4
		4	386	4
BACR15BB4A		2	852	2
		3	724	2
		4	390	2
BACR15CE5AD		2	543	8
		3	461D	4
	BACR15CE5KE		2	100
		2	157	2
		2	299	2
		2	344	105
		2	344G	13
		2	344M	25
		2	856	14
		3	100	17
		3	155	2
		3	295	2
		3	340	130
		3	728	14
		4	100	17
		4	156	2
		4	314	2
		4	370	130
		4	380	8
	4	394	14	
	4	736	10	

**57-43-45**

ILLUSTRATED PARTS LIST  
 01.1 Page 1021  
 Nov 01/00

PART NUMBER	AIRLINE PART NO.	FIG.	ITEM	TTL REQ
BACR15CE6KE		2	854	120
		3	726	120
		4	392	120
		4	730	10
		4	742	10
BACR15FT3AD7		3	191H	4
BACR15FT5AD		2	138	26
		2	234	40
BACR15FT5AD		2	320	29
		2	472A	4
		2	514A	4
		3	136	27
		3	230	48
		3	316	29
		3	435G	8
		3	558	8
		4	136	27
		4	242	48
		4	344	29
		4	576	8
		BACR15FT6AD		2
2	188			32
2	288			32
2	322			1
2	558			16
2	640			8
3	138			1
3	184			34
3	278			34
3	318			1
4	138			1
4	192			34
4	294			34
4	346	1		

**57-43-45**

ILLUSTRATED PARTS LIST  
 01.1 Page 1022  
 Nov 01/00

114T4102  
 015T0165  
 015T1507  
 DASH NUMBERS LIMITED

 **BOEING**  
 COMPONENT  
 MAINTENANCE MANUAL

PART NUMBER	AIRLINE PART NO.	FIG.	ITEM	TTL REQ
BACR15FT7AD7		3	185	32
		3	279	32
BACR15FT7AD8		3	185H	2
		3	279H	2
BACS12ER3C15		2	541	4
		3	460T	4
BACS12ER3K16		4	374	4
BACS40R008C008F		4	580A	2
BACS40R008C009F		4	416A	2
BACS40R008C017F		4	414A	1
		4	662A	1
BACS40R008C019F		4	412A	6
BACS40R008C021F		4	504A	2
BACS40R08C08F		2	474	1
		2	516	1
		2	642	2
		3	560	2
		4	580	2
BACS40R08C09F		3	387	2
BACS40R08C09F		4	416	2
BACS40R08C16F		2	560	2
		3	436	4
		3	480	2
BACS40R08C17F		3	385	1
		3	643	1
		4	414	1
		4	662	1
BACS40R08C19F		3	383	6
		4	412	6
BACS40R08C21F		3	480A	2
		4	504	2
BACS40R08C34F		2	563G	2
		3	481Z	2
BACS40R12C29F		2	545P	2
		3	461V	2

**57-43-45**

ILLUSTRATED PARTS LIST  
 01.1 Page 1023  
 Nov 01/00

PART NUMBER	AIRLINE PART NO.	FIG.	ITEM	TTL REQ	
BACW10P43AL		2	630A	4	
		2	788	7	
		2	810	6	
		3	548A	4	
		3	652	6	
		4	564	4	
		4	672	6	
	BRFM20A3		2	250	2
			3	81	5
			3	85	4
		3	89	3	
		3	95A	3	
		3	590	4	
		3	604	1	
		3	612	2	
		3	622	1	
		4	68	5	
		4	76	4	
		4	84	3	
		4	94	3	
		4	608	4	
		4	622	1	
	4	630	2		
	4	640	1		
BRH10A08		3	572A	8	
		4	588A	8	
BRH10A3		2	16	1	
		2	58	6	
		2	78	14	

**57-43-45**

ILLUSTRATED PARTS LIST  
 01.1 Page 1024  
 Nov 01/00

114T4102  
 015T0165  
 015T1507  
 DASH NUMBERS LIMITED

 **BOEING**  
 COMPONENT  
 MAINTENANCE MANUAL

PART NUMBER	AIRLINE PART NO.	FIG.	ITEM	TTL REQ	
BRH10A3		2	116	2	
		2	186	2	
		2	286	2	
		2	462	5	
		2	502	3	
		2	538A	8	
		2	542A	4	
		2	550	16	
		2	561J	2	
		2	632	8	
		2	792	5	
		2	816	13	
		3	16	1	
		3	58	6	
		3	116	1	
		3	182	2	
		3	276	2	
		3	430	10	
		3	460F	8	
		3	461	4	
		3	470	16	
		3	471	4	
		3	481M	2	
		3	549H	4	
		3	550	4	
		3	654	4	
		3	678	13	
		4	12	1	
		4	46	6	
		4	114	1	
		4	190	2	
		4	292	2	
		4	378	12	
		4	494	16	
		4	566	8	
		4	674	4	
		4	698	13	
	B30NW5K5		3	546A	4
			4	560	4
	B30NW6K3		3	555H	8
	B30NW6K3X		3	553J	6
	B30NW6K4X		3	553A	4

**57-43-45**

ILLUSTRATED PARTS LIST  
 01.1 Page 1025  
 Nov 01/00



PART NUMBER	AIRLINE PART NO.	FIG.	ITEM	TTL REQ		
F29779-3		4	34	2		
		4	150	1		
		4	172	4		
		4	204	4		
F29779-3		4	256	4		
		4	306	4		
		4	330	4		
		4	360	1		
		4	436	4		
		4	474	4		
		4	520	2		
		4	542	2		
		4	610	2		
		4	624	1		
		4	642	1		
		HL11VAZ5-5		3	546A	4
				4	560	4
		HL11VAZ6-3		3	555H	8
HL11VAZ6-3X		3	553J	6		
HL11VAZ6-4X		3	553A	4		
HL19-5A3		2	726A	8		
		3	568B	8		
		4	584A	8		
		3	568A	8		
HL19-5A3N		4	584	8		
		3	568A	8		
HL41PY5-3		4	584	8		
		2	726A	8		
		3	568B	8		
HL441N5-3		4	584A	8		
		2	726A	8		
		3	568A	8		
HL441UC5-3		4	584	8		
		2	726A	8		
		3	568B	8		
		4	584A	8		
HL442A6-3		3	555	2		
HL445PB5-3		2	726B	8		
HL62PB12-22		2	654A	2		
HL70-5		2	466	5		
		2	510	5		
		3	435	6		
		3	551	4		
		4	568	4		

# 57-43-45

 ILLUSTRATED PARTS LIST  
 01.1 Page 1026  
 Nov 01/00

114T4102  
 015T0165  
 015T1507  
 DASH NUMBERS LIMITED

 **BOEING**  
 COMPONENT  
 MAINTENANCE MANUAL

PART NUMBER	AIRLINE PART NO.	FIG.	ITEM	TTL REQ
HL79-12		2	662A	2
HL79-14		2	652A	2
HL79-5		2	466	5
		2	510	5
		3	435	6
		3	551	4
		4	568	4
HL79-6		2	342	34
		2	470	1
		2	512	3
		2	556A	20
		2	561C	4
		2	638	16
		2	860	10
		3	338	34
		3	434	6
		3	476	22
		3	481F	4
		3	556	16
		3	557	24
		3	732	10
		4	368	34
		4	398	10
		4	500	22
		4	574	16
HL82-10APBW		2	545G	4
		3	461R	4
HST10AG6-4		3	477	12
		4	501	12
HST79-5		4	568A	4
HST79-6		3	479	12
		4	503	12
HST79CY5		4	568A	4
HST79CY6		3	479	12
		4	503	12

**57-43-45**

ILLUSTRATED PARTS LIST  
 01.1 Page 1027  
 Nov 01/00

PART NUMBER	AIRLINE PART NO.	FIG.	ITEM	TTL REQ
H10-08BAC		3	572A	8
		4	588A	8
H10-3BAC		2	16	1
		2	58	6
		2	78	14
		2	116	2
		2	186	2
		2	286	2
		2	462	5
		2	502	3
		2	538A	8
		2	542A	4
		2	550	16
		2	561J	2
		2	632	8
		2	792	5
		2	816	13
		3	16	1
		3	58	6
		3	116	1
		3	182	2
		3	276	2
		3	430	10
		3	460F	8
		3	461	4
		3	470	16
		3	471	4
		3	481M	2
3	549H	4		
3	550	4		
3	654	4		
3	678	13		
4	12	1		
4	46	6		
4	114	1		
4	190	2		
4	292	2		
4	378	12		
4	494	16		
4	566	8		
4	674	4		
4	698	13		
L803-5K5		3	546A	4
L803-5K5		4	560	4
L803-6K3		3	555H	8
L803-6K3X		3	553J	6
L803-6K4X		3	553A	4

# 57-43-45

 ILLUSTRATED PARTS LIST  
 01.1 Page 1028  
 Nov 01/00

114T4102  
 015T0165  
 015T1507  
 DASH NUMBERS LIMITED

 **BOEING**  
 COMPONENT  
 MAINTENANCE MANUAL

PART NUMBER	AIRLINE PART NO.	FIG.	ITEM	TTL REQ		
L839-5A3		2	726A	8		
		3	568B	8		
		4	584A	8		
L839-5A3N		3	568A	8		
		4	584	8		
MF1000-3BAC		2	250	2		
		3	81	5		
		3	85	4		
		3	89	3		
		3	95A	3		
		3	590	4		
		3	604	1		
		3	612	2		
		3	622	1		
		4	68	5		
		4	76	4		
		4	84	3		
		4	94	3		
		4	608	4		
		4	622	1		
		4	630	2		
		4	640	1		
		4	30A	50		
		MF19058-3-2BAC		4	200A	2
		MF19058-3-2BAC		4	252A	2
		4	302A	2		
		4	356A	1		
		4	434A	7		
		4	470A	8		
		4	472A	20		
		4	658A	42		
MF19058-3-3BAC		4	32A	1		
		4	148A	11		
		4	164A	3		
		4	202A	5		
		4	220A	1		
		4	254A	18		
		4	274A	1		
		4	304A	4		
		4	322A	3		
		4	358A	12		
		4	432A	7		
		4	454A	4		

**57-43-45**

ILLUSTRATED PARTS LIST  
 01.1 Page 1029  
 Nov 01/00

PART NUMBER	AIRLINE PART NO.	FIG.	ITEM	TTL REQ
MF19058-3-4BAC		4	166A	13
		4	222A	4
		4	276A	4
		4	324A	10
		4	430A	32
MF19058-3-5BAC		4	168A	22
		4	224A	12
		4	278A	14
		4	326A	25
MF19058-3-6BAC		4	170A	8
		4	226A	6
		4	280A	6
		4	328A	8
MF53049-3		2	250	2
		3	81	5
		3	85	4
		3	89	3
		3	95A	3
		3	590	4
		3	604	1
		3	612	2
		3	622	1
		4	68	5
MF53049-3		4	76	4
		4	84	3
		4	94	3
		4	608	4
		4	622	1
		4	630	2
MS27253-1		4	640	1
		2	850	1
		3	722	1
		4	388	1
NAS1149DN816J		4	586A	8
NAS1149D0316J		4	652A	42

# 57-43-45

 ILLUSTRATED PARTS LIST  
 01.1 Page 1030  
 Nov 01/00

114T4102  
 015T0165  
 015T1507  
 DASH NUMBERS LIMITED

 **BOEING**  
 COMPONENT  
 MAINTENANCE MANUAL

PART NUMBER	AIRLINE PART NO.	FIG.	ITEM	TTL REQ
NAS1149D0332J		4	8A	50
		4	44A	2
		4	112A	1
NAS1149D0363J		4	10L	1
		4	42A	9
		4	188A	2
		4	290A	2
		4	366A	34
		4	492A	16
		4	562A	4
	NAS1195DD3KH		2	174
		2	254	12
		2	314	2
		2	446	4
		2	488	12
		2	530	12
		2	572	2
		2	612	2
		2	746	1
		2	760	1
		3	172	2
		3	246	2
		3	310	2
		3	410	4
		3	450	8
		3	459	4
		3	492	2
		3	530	2
		3	608	2
		3	626	1
		4	174	2
		4	258	2
		4	332	2
		4	438	4
		4	476	8

**57-43-45**

ILLUSTRATED PARTS LIST  
 01.1 Page 1031  
 Nov 01/00

PART NUMBER	AIRLINE PART NO.	FIG.	ITEM	TTL REQ		
NAS1195DD3KH		4	486	4		
		4	522	2		
		4	544	2		
		4	626	2		
		4	644	1		
NAS1195DD3KM		2	748	1		
		2	762	1		
NS103218-02		2	250	2		
		3	81	5		
		3	85	4		
		3	89	3		
		3	95A	3		
		3	590	4		
		3	604	1		
		3	612	2		
		3	622	1		
		4	68	5		
		4	76	4		
		4	84	3		
		4	94	3		
		4	608	4		
		4	622	1		
		4	630	2		
		4	640	1		
		NS103225-02		2	48	2
				2	152	2
				2	172	4
2	202			6		
2	252			8		
2	295			6		
2	312			4		
2	336			2		
2	444			4		
2	486			4		
2	528			4		
2	570			2		
2	610			2		
2	744			1		
2	758			1		
3	48	2				
3	150	1				
3	170	4				
3	196	4				
3	244	4				
3	290	4				

# 57-43-45

 ILLUSTRATED PARTS LIST  
 01.1 Page 1032  
 Nov 01/00

114T4102  
 015T0165  
 015T1507  
 DASH NUMBERS LIMITED

 **BOEING**  
 COMPONENT  
 MAINTENANCE MANUAL

PART NUMBER	AIRLINE PART NO.	FIG.	ITEM	TTL REQ	
NS103225-02		3	308	4	
		3	332	1	
		3	408	4	
		3	448	4	
		3	490	2	
		3	528	2	
		3	592	2	
		3	606	1	
		3	624	1	
		4	34	2	
		4	150	1	
		4	172	4	
		4	204	4	
		4	256	4	
		4	306	4	
		4	330	4	
		4	360	1	
		4	436	4	
		4	474	4	
		4	520	2	
		4	542	2	
		4	610	2	
		4	624	1	
		4	642	1	
	NS202101-02		2	16	1
			2	58	6
			2	78	14
		2	116	2	
		2	186	2	
		2	286	2	
		2	462	5	
		2	502	3	
		2	538A	8	
		2	542A	4	
		2	550	16	
		2	561J	2	
		2	632	8	
		2	792	5	
		2	816	13	
		3	16	1	
		3	58	6	
	3	116	1		
	3	182	2		
	3	276	2		
	3	430	10		

**57-43-45**

ILLUSTRATED PARTS LIST  
 01.1 Page 1033  
 Nov 01/00



PART NUMBER	AIRLINE PART NO.	FIG.	ITEM	TTL REQ
NS202101-02		3	460F	8
		3	461	4
		3	470	16
		3	471	4
		3	481M	2
		3	549H	4
		3	550	4
		3	654	4
		3	678	13
		4	12	1
		4	46	6
		4	114	1
		4	190	2
		4	292	2
		4	378	12
		4	494	16
		4	566	8
		4	674	4
		4	698	13
	NS202101-82		3	572A
		4	588A	8
RMF9201M3		2	250	2
		3	81	5
		3	85	4
		3	89	3
		3	95A	3
		3	590	4
		3	604	1
		3	612	2
		3	622	1
		4	68	5
		4	76	4
		4	84	3
		4	94	3
		4	608	4
		4	622	1
	4	630	2	
	4	640	1	

**57-43-45**

ILLUSTRATED PARTS LIST  
 01.1 Page 1034  
 Nov 01/00

114T4102  
 015T0165  
 015T1507  
 DASH NUMBERS LIMITED

 **BOEING**  
 COMPONENT  
 MAINTENANCE MANUAL

PART NUMBER	AIRLINE PART NO.	FIG.	ITEM	TTL REQ	
RMF9209M3		2	48	2	
		2	152	2	
		2	172	4	
		2	202	6	
		2	252	8	
		2	295	6	
		2	312	4	
		2	336	2	
		2	444	4	
		2	486	4	
		2	528	4	
		2	570	2	
		2	610	2	
		2	744	1	
		2	758	1	
		3	48	2	
		3	150	1	
		3	170	4	
		3	196	4	
		3	244	4	
		3	290	4	
		3	308	4	
		3	332	1	
		3	408	4	
		3	448	4	
		3	490	2	
	RMF9209M3		3	528	2
			3	592	2
			3	606	1
			3	624	1
			4	34	2
			4	150	1
			4	172	4
		4	204	4	
		4	256	4	
		4	306	4	
		4	330	4	
		4	360	1	
		4	436	4	
		4	474	4	
		4	520	2	
		4	542	2	
		4	610	2	
	4	624	1		
	4	642	1		

**57-43-45**

ILLUSTRATED PARTS LIST  
 01.1 Page 1035  
 Nov 01/00

PART NUMBER	AIRLINE PART NO.	FIG.	ITEM	TTL REQ	
RMLH9075-3W		2	16	1	
		2	58	6	
		2	78	14	
		2	116	2	
		2	186	2	
		2	286	2	
		2	462	5	
		2	502	3	
		2	538A	8	
		2	542A	4	
		2	550	16	
		2	561J	2	
		2	632	8	
		2	792	5	
		2	816	13	
		3	16	1	
		3	58	6	
		3	116	1	
		3	182	2	
		3	276	2	
		3	430	10	
		3	460F	8	
	RMLH9075-3W		3	461	4
			3	470	16
			3	471	4
			3	481M	2
			3	549H	4
			3	550	4
		3	654	4	
		3	678	13	
		4	12	1	
		4	46	6	
		4	114	1	
		4	190	2	
		4	292	2	
		4	378	12	
		4	494	16	
		4	566	8	
	4	674	4		
	4	698	13		

**57-43-45**

ILLUSTRATED PARTS LIST  
 01.1 Page 1036  
 Nov 01/00

114T4102  
 015T0165  
 015T1507  
 DASH NUMBERS LIMITED

 **BOEING**  
 COMPONENT  
 MAINTENANCE MANUAL

PART NUMBER	AIRLINE PART NO.	FIG.	ITEM	TTL REQ	
RMLH9075-82W		3	572A	8	
		4	588A	8	
T6S1032J		2	16	1	
		2	58	6	
		2	78	14	
		2	116	2	
		2	186	2	
		2	286	2	
		2	462	5	
		2	502	3	
		2	538A	8	
		2	542A	4	
		2	550	16	
		2	561J	2	
		2	632	8	
		2	792	5	
		2	816	13	
		3	16	1	
		3	58	6	
		3	116	1	
		3	182	2	
		3	276	2	
		3	430	10	
		3	460F	8	
		3	461	4	
		3	470	16	
		3	471	4	
	T6S1032J		3	481M	2
			3	549H	4
		3	550	4	
		3	654	4	
		3	678	13	
		4	12	1	
		4	46	6	
		4	114	1	
		4	190	2	
		4	292	2	
		4	378	12	
		4	494	16	
		4	566	8	
		4	674	4	
		4	698	13	

**57-43-45**

ILLUSTRATED PARTS LIST  
 01.1 Page 1037  
 Nov 01/00

PART NUMBER	AIRLINE PART NO.	FIG.	ITEM	TTL REQ
T6S832J		3	572A	8
		4	588A	8
VN252A02		2	250	2
		3	81	5
		3	85	4
		3	89	3
		3	95A	3
		3	590	4
		3	604	1
		3	612	2
		3	622	1
		4	68	5
		4	76	4
		4	84	3
		4	94	3
		4	608	4
		4	622	1
		4	630	2
		VN303A02		4
2	16			1
2	58			6
2	78			14
2	116			2
2	186			2
2	286			2
2	462			5
2	502			3
2	538A			8
2	542A	4		
2	550	16		

**57-43-45**

114T4102  
 015T0165  
 015T1507  
 DASH NUMBERS LIMITED

 **BOEING**  
 COMPONENT  
 MAINTENANCE MANUAL

PART NUMBER	AIRLINE PART NO.	FIG.	ITEM	TTL REQ	
VN303A02		2	561J	2	
		2	632	8	
		2	792	5	
		2	816	13	
		3	16	1	
		3	58	6	
		3	116	1	
		3	182	2	
		3	276	2	
		3	430	10	
		3	460F	8	
		3	461	4	
		3	470	16	
		3	471	4	
		3	481M	2	
		3	549H	4	
		3	550	4	
		3	654	4	
		3	678	13	
		4	12	1	
		4	46	6	
		4	114	1	
		4	190	2	
		4	292	2	
		4	378	12	
		4	494	16	
		4	566	8	
		4	674	4	
		4	698	13	
	VN303A82		3	572A	8
			4	588A	8
	012T2400-42		2	579	1
			2	587	1
		3	503	1	
012T2400-45		3	509	1	
		2	676A	2	
		2	696A	2	
012T2400-46		3	562A	4	
		4	582	4	
		2	478A	1	
015T0165-5		2	520A	1	
		1	1K	RF	
015T0165-6		3	1F	RF	
		1	5K	RF	
015T1507-201		3	5F	RF	
		1	1Q	RF	
		2	1A	RF	

**57-43-45**

ILLUSTRATED PARTS LIST  
 01.1 Page 1039  
 Nov 01/00

PART NUMBER	AIRLINE PART NO.	FIG.	ITEM	TTL REQ
015T1507-202		1	5Q	RF
		2	5A	RF
015T1507-203		1	1R	RF
		2	1B	RF
015T1507-204		1	5R	RF
		2	5B	RF
015T1507-205		1	1S	RF
		2	1C	RF
015T1507-206		1	5S	RF
		2	5C	RF
015T1507-207		1	1W	RF
		3	1G	RF
015T1507-208		1	5W	RF
		3	5G	RF
015T1507-209		1	1X	RF
		3	1H	RF
015T1507-210		1	5X	RF
		3	5H	RF
015T1507-211		1	1Y	RF
		3	1J	RF
015T1507-212		1	5Y	RF
		3	5J	RF
015T1507-213		1	2B	RF
		3	1N	RF
015T1507-214		1	6B	RF
		3	5N	RF
015T1507-215		1	2D	RF
		3	1Q	RF
015T1507-216		1	6D	RF
		3	5Q	RF
015T1507-217		1	2E	RF
		3	1R	RF
015T1507-218		1	6E	RF
		3	5R	RF
015T1507-219		1	2F	RF
		3	1S	RF
015T1507-220		1	6F	RF
		3	5S	RF
015T1507-221		1	2K	RF
		3	1W	RF
015T1507-222		1	6K	RF
		3	5W	RF

# 57-43-45

 ILLUSTRATED PARTS LIST  
 01.1 Page 1040  
 Nov 01/00

PART NUMBER	AIRLINE PART NO.	FIG.	ITEM	TTL REQ
015T1507-223		1	2M	RF
015T1507-223		3	1Y	RF
015T1507-224		1	6M	RF
		3	5Y	RF
015T1507-225		1	2T	RF
		4	1G	RF
015T1507-226		1	6T	RF
		4	4G	RF
015T1507-227		1	2P	RF
		3	2	RF
015T1507-228		1	6P	RF
		3	6	RF
015T1507-229		1	2V	RF
		4	1J	RF
015T1507-230		1	6V	RF
		4	4J	RF
015T1507-231		1	2X	RF
		4	1L	RF
015T1507-232		1	6X	RF
		4	4L	RF
015T1507-233		1	2Z	RF
		4	1N	RF
015T1507-234		1	6Z	RF
		4	4N	RF
015T1507-235		1	1T	RF
		2	1D	RF
015T1507-236		1	5T	RF
		2	5D	RF
015T1507-237		1	1U	RF
		2	1E	RF
015T1507-238		1	5U	RF
		2	5E	RF
015T1507-239		1	1V	RF
		2	1F	RF
015T1507-240		1	5V	RF
		2	5F	RF

**57-43-45**

ILLUSTRATED PARTS LIST  
 01.1 Page 1040A  
 Nov 01/00



PART NUMBER	AIRLINE PART NO.	FIG.	ITEM	TTL REQ
015T1507-241		1	1Z	RF
		3	1K	RF
015T1507-242		1	5Z	RF
		3	5K	RF
015T1507-243		1	2	RF
		3	1L	RF
015T1507-244		1	6	RF
		3	5L	RF
015T1507-245		1	2A	RF
		3	1M	RF
015T1507-246		1	6A	RF
		3	5M	RF
015T1507-247		1	2C	RF
		3	1P	RF
015T1507-248		1	6C	RF
		3	5P	RF
015T1507-249		1	2G	RF
		3	1T	RF
015T1507-250		1	6G	RF
		3	5T	RF
015T1507-251		1	2H	RF
		3	1U	RF
015T1507-252		1	6H	RF
		3	5U	RF
015T1507-253		1	2J	RF
		3	1V	RF
015T1507-254		1	6J	RF
		3	5V	RF
015T1507-255		1	2L	RF
		3	1X	RF
015T1507-256		1	6L	RF
		3	5X	RF
015T1507-257		1	2N	RF
		3	1Z	RF
015T1507-258		1	6N	RF
		3	5Z	RF

# 57-43-45

 ILLUSTRATED PARTS LIST  
 01.1 Page 1040B  
 Nov 01/00

114T4102  
 015T0165  
 015T1507  
 DASH NUMBERS LIMITED

 **BOEING**  
 COMPONENT  
 MAINTENANCE MANUAL

PART NUMBER	AIRLINE PART NO.	FIG.	ITEM	TTL REQ
015T1507-259		1	2U	RF
		4	1H	RF
015T1507-260		1	6U	RF
		4	4H	RF
015T1507-261		1	2Q	RF
		3	2A	RF
015T1507-262		1	6Q	RF
		3	6A	RF
015T1507-263		1	2W	RF
		4	1K	RF
015T1507-264		1	6W	RF
		4	4K	RF
015T1507-265		1	2Y	RF
		4	1M	RF
015T1507-266		1	6Y	RF
		4	4M	RF
015T1507-267		1	3	RF
		4	1P	RF
015T1507-268		1	7	RF
015T1507-268		4	4P	RF
015T1507-269		1	2R	RF
		3	2B	RF
015T1507-270		1	6R	RF
		3	6B	RF
015T1507-271		1	2S	RF
		3	2C	RF
015T1507-272		1	6S	RF
		3	6C	RF
114T4101-23		2	345	34
		2	345G	7
		2	345M	11
		3	341	44
		4	372	44

**57-43-45**

ILLUSTRATED PARTS LIST  
 01.1 Page 1040C  
 Nov 01/00

PART NUMBER	AIRLINE PART NO.	FIG.	ITEM	TTL REQ
114T4102-11		2	190	1
		2	289	1
114T4102-13SP		1	1	RF
		2	1	RF
114T4102-14SP		1	5	RF
		2	5	RF
114T4102-19		2	253	2
114T4102-21SP		1	1A	RF
		3	1	RF
114T4102-22SP		1	5A	RF
		3	5	RF
114T4102-23		1	1B	RF
		3	1A	RF
114T4102-24		1	5B	RF
		3	5A	RF
114T4102-25SP		1	1C	RF
		3	1B	RF
114T4102-26SP		1	5C	RF
		3	5B	RF
114T4102-27		1	1D	RF
		3	1C	RF
114T4102-28		1	5D	RF
		3	5C	RF
114T4102-29		1	1E	RF
		3	1D	RF
114T4102-30		1	5E	RF
		3	5D	RF
114T4102-31		1	1F	RF
		4	1	RF
114T4102-32		1	5F	RF
		4	4	RF
114T4102-37		1	1H	RF
		3	1E	RF
114T4102-38		1	5H	RF
		3	5E	RF
114T4102-39		1	1J	RF
		4	1B	RF
114T4102-40		1	5J	RF
		4	4B	RF
114T4102-401SP		1	3C	RF
		4	1S	RF
114T4102-402SP		1	7C	RF
		4	4S	RF
114T4102-403G		1	3D	RF
		4	1T	RF
114T4102-403P		1	3E	RF
		4	1U	RF

# 57-43-45

 ILLUSTRATED PARTS LIST  
 01.1 Page 1040D  
 Nov 01/00

114T4102  
 015T0165  
 015T1507  
 DASH NUMBERS LIMITED

 **BOEING**  
 COMPONENT  
 MAINTENANCE MANUAL

PART NUMBER	AIRLINE PART NO.	FIG.	ITEM	TTL REQ
114T4102-404G		1	7D	RF
		4	4T	RF
114T4102-404P		1	7E	RF
		4	4U	RF
114T4102-41		1	1L	RF
		4	1C	RF
114T4102-42		1	5L	RF
		4	4C	RF
114T4102-45		1	1M	RF
		4	1D	RF
114T4102-46		1	5M	RF
		4	4D	RF
114T4102-47		1	1N	RF
		4	1E	RF
114T4102-48		1	5N	RF
		4	4E	RF
114T4102-5001		2	6	1
114T4102-5002		2	8	1
114T4102-5003		2	6B	1
114T4102-5004		2	8B	1
114T4102-5005		2	6D	1
114T4102-5006		2	8D	1
114T4102-5007		3	7	1
114T4102-5008		3	8	1
114T4102-5009		3	7B	1
114T4102-5010		3	8B	1
114T4102-5011		3	7D	1
114T4102-5012		3	8D	1
114T4102-51SP		1	3A	RF
114T4102-51SP		4	1Q	RF
114T4102-52SP		1	7A	RF
		4	4Q	RF
114T4102-53SP		1	3B	RF
		4	1R	RF
114T4102-54SP		1	7B	RF
		4	4R	RF
114T4103-117		4	738	1
114T4103-118		4	740	1
114T4110-17		2	175	1
		3	173	1
		4	176	1
114T4110-19		2	175G	1
		3	173G	1
		4	178	1

**57-43-45**

ILLUSTRATED PARTS LIST  
 01.1 Page 1040E  
 Nov 01/00

PART NUMBER	AIRLINE PART NO.	FIG.	ITEM	TTL REQ
114T4110-20		3	173K	1
		4	180	1
114T4110-21		2	203	1
		3	197	1
		4	206	1
114T4110-23		2	221	1
		3	217	1
		4	228	1
114T4110-25		2	255	1
		3	247	1
		4	260	1
114T4110-27		2	275	1
		3	267	1
		4	282	1
114T4110-29		2	296	1
		3	291	1
		4	308	1
114T4110-31		2	315	1
		3	311	1
		4	334	1
114T4110-33		2	315G	1
		3	311G	1
		4	336	1
114T4110-34		3	311K	1
		4	338	1
114T4110-35		2	337	1
		3	333	1
		4	362	1
114T4112-1		2	416	1
114T4112-10		2	418L	1
114T4112-10		3	382A	1
114T4112-11		4	408	1
114T4112-12		4	410	1

# 57-43-45

 ILLUSTRATED PARTS LIST  
 01.1 Page 1040F  
 Nov 01/00

114T4102  
 015T0165  
 015T1507  
 DASH NUMBERS LIMITED

 **BOEING**  
 COMPONENT  
 MAINTENANCE MANUAL

PART NUMBER	AIRLINE PART NO.	FIG.	ITEM	TTL REQ
114T4112-17		2	416A	1
		3	380B	1
		4	408A	1
114T4112-18		2	418A	1
		3	382B	1
		4	410A	1
114T4112-2		2	418	1
114T4112-21		2	416B	1
		3	380C	1
		4	408B	1
114T4112-22		2	418B	1
		3	382C	1
		4	410B	1
114T4112-7		2	416E	1
		3	380	1
114T4112-8		2	418E	1
		3	382	1
114T4112-9		2	416L	1
		3	380A	1
114T4119-1		2	772	3
		3	636	3
		4	660A	3
114T4119-2		2	778	3
		3	642	3
		4	654	3
114T4122-21		2	764	1
114T4122-22		2	766	1
114T4122-23		2	764A	1
114T4122-24		2	766A	1
114T4122-401		4	646A	1
114T4122-402		4	648A	1
114T4122-75		3	628	1
114T4122-76		3	630	1
114T4122-85		3	628A	1
		4	646	1

**57-43-45**

ILLUSTRATED PARTS LIST  
 01.1 Page 1040G  
 Nov 01/00

PART NUMBER	AIRLINE PART NO.	FIG.	ITEM	TTL REQ
114T4122-86		3	630A	1
		4	648	1
114T4140-100		2	690	1
114T4140-101		2	680	1
114T4140-102		2	682	1
114T4140-103		2	700	1
114T4140-104		2	702	1
114T4140-105		2	672	1
114T4140-106		2	674	1
114T4140-107		2	692	1
114T4140-108		2	694	1
114T4140-109		2	684	1
114T4140-110		2	686	1
114T4140-111		2	704	1
114T4140-112		2	706	1
114T4140-97		2	668	1
114T4140-98		2	670	1
114T4140-99		2	688	1
114T4149-1		2	732A	2
		3	574A	4
		4	590	4
114T4149-2		2	733	2
		3	574B	4
		4	592	4
114T4151-13		2	862	1
		3	734	1
		4	400	1
114T4151-14		2	864	1
		3	736	1
		4	402	1
114T4151-15		2	866	1
		3	738	1
		4	404	1

# 57-43-45

 ILLUSTRATED PARTS LIST  
 01.1 Page 1040H  
 Nov 01/00

114T4102  
 015T0165  
 015T1507  
 DASH NUMBERS LIMITED

 **BOEING**  
 COMPONENT  
 MAINTENANCE MANUAL

PART NUMBER	AIRLINE PART NO.	FIG.	ITEM	TTL REQ
114T4151-16		2	868	1
		3	740	1
		4	406	1
114T4157-1		2	426	1
		3	390	1
		4	418	1
114T4157-2		2	428	1
		3	392	1
		4	420	1
114T4157-3		2	430	1
		3	394	1
		4	422	1
114T4157-4		2	432	1
		3	396	1
		4	424	1
114T4173-1		2	356A	1
114T4173-2		2	358A	1
		2	396	1
		2	360A	1
114T4173-3		2	361	1
114T4173-3		2	366	4
		2	374	4
		2	384	2
		2	396A	1
		2	398	1
		2	414A	1
		2	415	1
		3	378	16
		2	410A	1
		2	395	1
114T4173-4		2	412A	1
114T4173-6		2	382	1
114T4173-7		2	392A	1
114T4174-1		3	358	2
114T4174-10		2	352	1
		3	366	1
		2	354	1
114T4174-11		3	368	1
		2	372	2
		2	378	1
114T4174-12		2	404	1
		3	370	4
		2	394	1
114T4174-13		3	372	2
		2	406	1
		3	374	1
114T4174-14		2	408	1
		3	374	1
		2	408	1
114T4174-15		2	408	1

**57-43-45**

ILLUSTRATED PARTS LIST  
 01.1 Page 1040I  
 Nov 01/00



PART NUMBER	AIRLINE PART NO.	FIG.	ITEM	TTL REQ
114T4174-21		2	350A	1
		3	376	1
114T4174-3		2	370	2
		2	394G	1
		3	360	3
114T4174-4		2	392	1
114T4174-6		2	350	1
114T4174-7		2	364	2
		3	362	2
114T4174-9		2	408A	1
		3	364	1
114T4175-10		2	348A	1
		3	348	1
114T4175-11		2	376	1
		3	350	1
114T4175-12		2	390	1
		3	352	1
114T4175-13		2	380A	1
		2	400A	1
		3	354	1
114T4175-14		2	402A	1
		3	356	1
114T4175-25		2	346	1
114T4175-26		2	348	1
114T4175-27		2	386	1
114T4175-28		2	388	1
114T4175-29		2	400	1
114T4175-3		2	362	2
		3	342	2
114T4175-30		2	402	1
114T4175-4		2	368A	2
		3	344	2
114T4175-9		2	346A	1
		3	346	1
114T4177-2		2	226	1
114T4182-1		1	1	RF
		2	1	RF
		2	577	1
		2	583	1
		3	1	RF
		3	501A	1
		3	507	1

# 57-43-45

 ILLUSTRATED PARTS LIST  
 01.1 Page 1040J  
 Nov 01/00

114T4102  
 015T0165  
 015T1507  
 DASH NUMBERS LIMITED

 **BOEING**  
 COMPONENT  
 MAINTENANCE MANUAL

PART NUMBER	AIRLINE PART NO.	FIG.	ITEM	TTL REQ	
114T4182-1,		2	156D	2	
		2	298D	2	
		2	478A	1	
		2	520A	1	
		2	537	8	
		2	538A	8	
		2	539	2	
		2	540A	2	
		2	541	4	
		2	542A	4	
		2	543	8	
		2	544C	4	
		2	545	4	
		2	545P	2	
	114T4182-1,		2	561	4
			2	561F	2
			2	562A	1
			2	563	4
			2	563G	2
			2	628A	2
		2	629A	2	
		2	644A	2	
		2	652A	2	
		2	654A	2	
		2	662A	2	
		2	676A	2	
		2	696A	2	
		2	726A	8	
		2	730A	8	
		2	732A	2	
		2	733	2	
		3	154H	2	
		3	294H	2	
		3	460B	8	
	3	460K	2		
	3	460T	4		
	3	461	4		
	3	461V	2		
	3	481C	4		
	3	481J	2		
	3	481Q	1		

**57-43-45**

ILLUSTRATED PARTS LIST  
 01.1 Page 1040K  
 Nov 01/00

PART NUMBER	AIRLINE PART NO.	FIG.	ITEM	TTL REQ
114T4182-1,		3	481W	4
		3	481Z	2
114T4182-2		1	5	RF
		2	5	RF
		2	156D	2
		2	298D	2
		2	478A	1
		2	520A	1
		2	537	8
		2	538A	8
		2	539	2
		2	540A	2
		2	541	4
		2	542A	4
		2	543	8
		2	544C	4
		2	545	4
		2	545P	2
		2	561	4
		2	561F	2
		2	562A	1
		2	563	4
		2	563G	2
		2	578A	1
		2	585	1
		2	628A	2
		2	629A	2
		2	644A	2
		2	652A	2
		2	654A	2
		2	662A	2
		2	676A	2
2	696A	2		
2	726A	8		
2	730A	8		
2	732A	2		
2	733	2		
3	5	RF		
3	154H	2		
3	294H	2		
3	460B	8		
3	460K	2		
3	460T	4		
3	461	4		
3	461V	2		
3	481C	4		

**57-43-45**

ILLUSTRATED PARTS LIST  
 01.1 Page 1040L  
 Nov 01/00

114T4102  
 015T0165  
 015T1507  
 DASH NUMBERS LIMITED

 **BOEING**  
 COMPONENT  
 MAINTENANCE MANUAL

PART NUMBER	AIRLINE PART NO.	FIG.	ITEM	TTL REQ
		3	481J	2
		3	481Q	1
		3	481W	4
		3	481Z	2
		3	483	1
		3	502A	1
		3	508A	1
114T4182-3		2	564A	1
		3	482C	1
114T4182-4		2	565	1
114T4182-5		2	604A	1
		3	520C	1
114T4182-6		2	605	1
		3	521	1
114T4188-1		2	577	1
		3	501A	1
114T4188-2		2	578A	1
		3	502A	1
114T4188-3		2	581	1
		3	505	1
114T4188-4		2	582A	1
		3	506A	1
114T4189-1		2	583	1
		3	507	1
114T4189-2		2	585	1
		3	508A	1
114T4189-3		2	591	1
		3	511	1
114T4189-4		2	593	1
		3	512A	1
114T4200-13		2	780	1
114T4200-14		2	782	1
114T4200-15		2	802	1
		3	664	1
		4	684	1
114T4200-16		2	804	1
		3	666	1
		4	686	1
114T4200-27		3	644	1
		4	664	1
114T4200-28		3	646	1
		4	666	1
114T4221-15		2	818	1
		3	680	1
		4	700	1

**57-43-45**

ILLUSTRATED PARTS LIST  
 01.1 Page 1040M  
 Nov 01/00

PART NUMBER	AIRLINE PART NO.	FIG.	ITEM	TTL REQ
114T4221-16		2	820	1
		3	682	1
		4	702	1
114T4221-23		2	830	1
		3	692	1
		4	712	1
114T4221-24		2	832	1
		3	694	1
		4	714	1
114T4222-2		2	838	1
		3	700	1
		4	720	1
114T4222-27		2	826	1
		3	688	1
		4	708	1
114T4222-28		2	828	1
		3	690	1
		4	710	1
114T4223-19		2	834	1
		3	696	1
		4	716	1
114T4223-19		2	836	1
		3	698	1
		4	718	1
114T4223-20		2	836	1
		3	698	1
		4	718	1
114T4223-21		2	822	1
		3	684	1
		4	704	1
114T4223-22		2	824	1
		3	686	1
		4	706	1
114T4224-2		2	96	1
		3	96	1
		4	96	1
114T4224-3		2	98	1
		3	98	1
		4	98	1

**57-43-45**

114T4102  
 015T0165  
 015T1507  
 DASH NUMBERS LIMITED

 **BOEING**  
 COMPONENT  
 MAINTENANCE MANUAL

PART NUMBER	AIRLINE PART NO.	FIG.	ITEM	TTL REQ
114T4224-7		4	96A	1
114T4224-8		4	98A	1
114T4225-3		2	102	1
		3	102	1
		4	102	1
114T4225-4		2	104	1
		3	104	1
		4	104	1
114T4226-2		2	122	2
		3	122	2
		4	122	2
114T4230-1		2	82	1
		3	82	1
		4	70	1
114T4230-13		2	94	1
		3	94	1
		4	90	1
114T4230-5		2	86	1
		3	86	1
		4	78	1
114T4230-9		2	90	1
		3	90	1
		4	86	1
114T4231-1		2	80	1
		3	80	1
		4	66	1
114T4231-13		2	92	1
		3	92	1
		4	88	1
114T4231-23		2	124	1
114T4231-24		2	126	1
114T4231-25		2	128	1
114T4231-26		2	130	1
114T4231-45		3	79	1
		4	64	1

**57-43-45**

ILLUSTRATED PARTS LIST  
 01.1 Page 10400  
 Nov 01/00

PART NUMBER	AIRLINE PART NO.	FIG.	ITEM	TTL REQ
114T4231-49		3	83	1
		4	72	1
114T4231-5		2	84	1
		3	84	1
		4	74	1
114T4231-53		3	87	1
		4	80	1
114T4231-9		2	88	1
		3	88	1
		4	82	1
114T4232-10		2	36	1
		3	36	1
		4	22	1
114T4232-11		2	38	1
		3	38	1
		4	24	1
114T4232-12		2	40	1
		3	40	1
		4	26	1
114T4232-7		2	30	1
		3	30	1
		4	16	1
114T4232-8		2	32	1
		3	32	1
		4	18	1
114T4232-9		2	34	1
		3	34	1
		4	20	1
114T4233-10		2	24	1
		3	24	1
114T4233-11		2	26	1
		3	26	1
114T4233-12		2	28	1
		3	28	1

**57-43-45**

114T4102  
 015T0165  
 015T1507  
 DASH NUMBERS LIMITED

 **BOEING**  
 COMPONENT  
 MAINTENANCE MANUAL

PART NUMBER	AIRLINE PART NO.	FIG.	ITEM	TTL REQ
114T4233-31		2	66	1
		3	66	1
		4	54	1
114T4233-32		3	29	54
		4	14	50
114T4233-32		4	14L	4
114T4233-33		4	15C	1
114T4233-7		2	18	1
		3	18	1
114T4233-8		2	20	1
		3	20	1
114T4233-9		2	22	1
		3	22	1
114T4234-11		2	68	1
		3	68	1
		4	56	1
114T4234-12		2	70	1
		3	70	1
		4	58	1
114T4234-7		2	62	1
		3	62	1
		4	50	1
114T4234-8		2	64	1
		3	64	1
		4	52	1
114T4235-1		2	60	1
		3	60	1
		4	48	1
114T4235-8		2	118	1
		3	118	1
		4	116	1
114T4236-2		2	106	1
		3	106	1
		4	106	1
114T4236-3		2	108	1
		3	108	1
		4	108	1
114T4236-8		4	106A	1
114T4236-9		4	108A	1
114T4237-7		2	120	1
		3	120	1
		4	118	1
114T4237-8		2	121	1
		3	121	1
		4	120	1

**57-43-45**

ILLUSTRATED PARTS LIST  
 01.1 Page 1040Q  
 Nov 01/00



PART NUMBER	AIRLINE PART NO.	FIG.	ITEM	TTL REQ
114T4240-53		2	794A	1
114T4240-54		2	796B	1
114T4240-55		2	798A	1
114T4240-56		2	800A	1
114T4240-57		2	840	1
		3	712	1
		4	722	1
114T4240-58		2	842	1
		3	714	1
		4	724	1
114T4240-59		2	844	1
		3	716	1
		4	726	1
114T4240-60		2	846	1
		3	718	1
		4	728	1
114T4240-69		3	656	1
		4	676	1
114T4240-70		3	658	1
		4	678	1
114T4240-71		3	660	1
		4	680	1
114T4240-72		3	662	1
		4	682	1
114T4242-5		2	124A	1
		3	124	1
		4	124	1
114T4242-6		2	126A	1
		3	126	1
		4	126	1
114T4242-7		2	128A	1
		3	128	1
		4	128	1
114T4242-8		2	130A	1
		3	130	1
		4	130	1
114T4262-1		2	144	1
		3	142	1
		4	142	1
114T4262-10		2	240	1
		3	236	1
		4	248	1
114T4262-11		2	262	1
		3	254	1
		4	268	1
114T4262-12		2	264	1
		3	256	1

# 57-43-45

 ILLUSTRATED PARTS LIST  
 01.1 Page 1040R  
 Nov 01/00

114T4102  
 015T0165  
 015T1507  
 DASH NUMBERS LIMITED

 **BOEING**  
 COMPONENT  
 MAINTENANCE MANUAL

PART NUMBER	AIRLINE PART NO.	FIG.	ITEM	TTL REQ
114T4262-12		4	270	1
114T4262-13		2	290	1
114T4262-14		2	291	1
114T4262-15		2	300	1
		3	296	1
114T4262-16		2	302	1
		3	298	1
114T4262-17		2	326	1
		3	322	1
		4	350	1
114T4262-18		2	328	1
		3	324	1
		4	352	1
114T4262-2		2	146	1
		3	144	1
		4	144	1
114T4262-21		3	186	1
		4	194	1
114T4262-22		3	188	1
		4	196	1
114T4262-23		3	280	1
		4	296	1
114T4262-24		3	282	1
		4	298	1
114T4262-25		3	156A	1
		4	158	1
114T4262-26		3	158A	1
		4	160	1
114T4262-27		3	296A	1
		4	316	1
114T4262-28		3	298A	1
		4	318	1
114T4262-3		2	158	1
		3	156	1
114T4262-4		2	160	1
		3	158	1
114T4262-5		2	192	1
114T4262-6		2	194	1
114T4262-7		2	210	1
		3	204	1
		4	214	1
114T4262-8		2	212	1
		3	206	1
		4	216	1
114T4262-9		2	238	1
114T4262-9		3	234	1
		4	246	1

**57-43-45**

ILLUSTRATED PARTS LIST  
 01.1 Page 1040S  
 Nov 01/00

PART NUMBER	AIRLINE PART NO.	FIG.	ITEM	TTL REQ
114T4301-119		4	744	1
114T4301-120		4	746	1
114T4301-123		4	732	1
114T4301-124		4	734	1
114T4302-4		2	224B	1
		3	220B	1
		4	232	1
114T4402-10		3	483	1
114T4402-11		3	494	1
114T4402-12		3	496	1
114T4402-13		3	482G	1
		4	508	1
114T4402-14		3	483G	1
		4	510	1
114T4402-15		3	494B	1
		4	524	1
114T4402-16		3	496B	1
		4	526	1
114T4402-5		2	564A	1
114T4402-6		2	565	1
114T4402-7		2	574	1
114T4402-8		2	576	1
114T4402-9		3	482C	1
114T4403-10		3	521	1
114T4403-11		3	532	1
114T4403-12		3	534	1
114T4403-13		3	520G	1
		4	528	1
114T4403-14		3	521G	1
		4	530	1
114T4403-15		3	532B	1
		4	546	1
114T4403-16		3	534B	1
		4	548	1
114T4403-5		2	604A	1
114T4403-6		2	605	1
114T4403-7		2	614	1
114T4403-8		2	616	1
114T4403-9		3	520C	1
114T4502-5		2	708	1
114T4502-6		2	710	1
114T4502-7		2	718	1
114T4502-8		2	720	1
114T4503-5		2	712	1

# 57-43-45

 ILLUSTRATED PARTS LIST  
 01.1 Page 1040T  
 Nov 01/00

114T4102  
 015T0165  
 015T1507  
 DASH NUMBERS LIMITED

 **BOEING**  
 COMPONENT  
 MAINTENANCE MANUAL

PART NUMBER	AIRLINE PART NO.	FIG.	ITEM	TTL REQ
114T4503-6		2	714A	1
114T4503-7		2	722	1
114T4503-8		2	724	1
114T4510-25		2	618	1
114T4510-26		2	620	1
114T4510-27		2	622	1
114T4510-28		2	624	1
114T4514-1		3	536	1
114T4514-10		3	538B	1
114T4514-11		3	576B	1
114T4514-12		3	578B	1
114T4514-2		3	538	1
114T4514-3		3	576	1
114T4514-4		3	578	1
114T4514-401		4	550A	1
114T4514-402		4	552A	1
114T4514-403		4	594A	1
114T4514-404		4	596A	1
114T4514-5		3	536A	1
		4	550	1
114T4514-6		3	538A	1
		4	552	1
114T4514-7		3	576A	1
		4	594	1
114T4514-8		3	578A	1
		4	596	1
114T4514-9		3	536B	1
114T4515-1		3	540	1
114T4515-10		3	542B	1
114T4515-11		3	580B	1
114T4515-12		3	582B	1

**57-43-45**

ILLUSTRATED PARTS LIST  
 01.1 Page 1040U  
 Nov 01/00

PART NUMBER	AIRLINE PART NO.	FIG.	ITEM	TTL REQ
114T4515-2		3	542	1
114T4515-3		3	580	1
114T4515-4		3	582	1
114T4515-401		4	554A	1
114T4515-402		4	556A	1
114T4515-403		4	598A	1
114T4515-404		4	600A	1
114T4515-5		3	540A	1
		4	554	1
114T4515-6		3	542A	1
		4	556	1
114T4515-7		3	580A	1
		4	598	1
114T4515-8		3	582A	1
		4	600	1
114T4515-9		3	540B	1
114T4602-17		2	452	1
114T4602-18		2	454	1
114T4602-19		2	490	1
114T4602-20		2	492	1
114T4602-21		3	416	1
		4	456	1
114T4602-22		3	418	1
		4	458	1
114T4602-23		3	452	1
		4	478	1
114T4602-24		3	454	1
		4	480	1
114T4602-401		4	456A	1
114T4602-402		4	458A	1
114T4602-403		4	478A	1
114T4602-404		4	480A	1
114T4602-5		2	452A	1

# 57-43-45

 ILLUSTRATED PARTS LIST  
 01.1 Page 1040V  
 Nov 01/00

114T4102  
 015T0165  
 015T1507  
 DASH NUMBERS LIMITED

 **BOEING**  
 COMPONENT  
 MAINTENANCE MANUAL

PART NUMBER	AIRLINE PART NO.	FIG.	ITEM	TTL REQ
114T4602-6		2	454A	1
114T4602-7		2	490A	1
114T4602-8		2	492A	1
114T4603-17		2	494	1
114T4603-18		2	496	1
114T4603-19		2	532	1
114T4603-20		2	534	1
114T4603-21		3	420	1
		4	460	1
114T4603-22		3	422	1
		4	462	1
114T4603-23		3	456	1
		4	482	1
114T4603-24		3	458	1
		4	484	1
114T4603-401		4	460A	1
114T4603-402		4	462A	1
114T4603-403		4	482A	1
114T4603-404		4	484A	1
114T4603-5		2	494A	1
114T4603-6		2	496A	1
114T4603-7		2	532A	1
114T4603-8		2	536A	1
114T4702-5		3	584	1
		4	602	1
114T4702-6		3	586	1
		4	604	1
114T4903-1		2	734	1
114T4903-2		2	736	1
114T4903-5		3	594	1
		4	612	1
114T4903-6		3	596	1
		4	614	1
114T4904-1		2	750	1
114T4904-2		2	752	1
114T4904-5		3	614	1
		4	632	1
114T4904-6		3	616	1
		4	634	1

**57-43-45**

ILLUSTRATED PARTS LIST  
 01.1 Page 1040W  
 Nov 01/00

PART NUMBER	AIRLINE PART NO.	FIG.	ITEM	TTL REQ
114T4912-3		2	446G	1
		3	411	1
		4	444	1
114T4912-4		3	411D	1
		4	446	1
114T4912-5		2	446M	1
		3	410G	1
114T4912-6		4	440	1
		3	410L	1
		4	442	1
114T6415-1		2	544C	4
		3	461H	4
114T6415-2		2	562A	1
		3	481Q	1
114T6415-3		2	562G	1
		3	481T	1
114T6415-5		2	563	4
		3	481W	4
114T6419-1		2	539	2
		3	460K	2
114T6419-10		4	384	2
		2	540A	2
114T6419-2		3	460P	2
		4	382	2
114T6419-9		4	382	2
256T2931-10		4	15F	1
256T2931-7		4	15M	1
256T2931-8		4	15S	1
256T2931-9		4	15A	1
66014-12		2	662A	2
66014-14		2	652A	2
66014-5		2	466	5
		2	510	5
		3	435	6
		3	551	4
		4	568	4

# 57-43-45

 ILLUSTRATED PARTS LIST  
 01.1 Page 1040X  
 Nov 01/00

114T4102  
 015T0165  
 015T1507  
 DASH NUMBERS LIMITED

 **BOEING**  
 COMPONENT  
 MAINTENANCE MANUAL

PART NUMBER	AIRLINE PART NO.	FIG.	ITEM	TTL REQ	
66014-6		2	342	34	
		2	470	1	
		2	512	3	
		2	556A	20	
		2	561C	4	
		2	638	16	
		2	860	10	
		3	338	34	
		3	434	6	
		3	476	22	
		3	481F	4	
		3	556	16	
		3	557	24	
		3	732	10	
		4	368	34	
		4	398	10	
		4	500	22	
		4	574	16	
	67068-5A3		2	726A	8
			3	568B	8
	69310-5A3		4	584A	8
			2	726B	8
96-02		2	16	1	
		2	58	6	
		2	78	14	
		2	116	2	
		2	186	2	
		2	286	2	
		2	462	5	
		2	502	3	
		2	538A	8	
		2	542A	4	
		2	550	16	
		2	561J	2	

**57-43-45**

ILLUSTRATED PARTS LIST  
 01.1 Page 1040Y  
 Nov 01/00



PART NUMBER	AIRLINE PART NO.	FIG.	ITEM	TTL REQ
96-02		2	632	8
		2	792	5
		2	816	13
		3	16	1
		3	58	6
		3	116	1
		3	182	2
		3	276	2
		3	430	10
		3	460F	8
		3	461	4
		3	470	16
		3	471	4
		3	481M	2
		3	549H	4
		3	550	4
		3	654	4
		3	678	13
		4	12	1
		4	46	6
		4	114	1
		4	190	2
		4	292	2
4	378	12		
4	494	16		
4	566	8		
4	674	4		
4	698	13		
96-82		3	572A	8
		4	588A	8

**57-43-45**

114T4102  
 015T0165  
 015T1507  
 DASH NUMBERS LIMITED

 **BOEING**  
 COMPONENT  
 MAINTENANCE MANUAL

FIG. & ITEM	PART NO.	AIRLINE PART NUMBER	NOMENCLATURE 1234567	EFF CODE	QTY PER ASSY
01- -1	114T4102-13SP		STRUCTURE ASSY-OUTBD SLAT NO.2 AND 11 WING LE (LH) (REWORK DWG 114T4182-1) (PRE SB 757-32-0095) (PRE SB 767-32-0107) (PRE SB 767-32-0095) (PRE SB 767-57A0057) (FOR DETAILS SEE FIG. 2)	A	RF
-1A	114T4102-21SP		STRUCTURE ASSY-OUTBD SLAT NO.2 AND 11 WING LE (LH) (REWORK DWG 114T4182-1) (PRE SB 767-32-0095) (PRE SB 757-32-0095) (PRE SB 767-57A0057) (FOR DETAILS SEE FIG. 3)	B	RF
-1B	114T4102-23		STRUCTURE ASSY-OUTBD SLAT NO. 2 AND 11 WING LE (LH) (VARIABLE) (REWORK DWG 114T4182-1) (PRE SB 767-57A0057) (FOR DETAILS SEE FIG. 3)	C	RF
-1C	114T4102-25SP		STRUCTURE ASSY-OUTBD SLAT NO.2 AND 11 WING LE (LH) (POST SB 767-32-0107) (PRE SB 767-57A0057) (FOR DETAILS SEE FIG. 3)	D	RF
-1D	114T4102-27		STRUCTURE ASSY-OUTBD SLAT NO. 2 AND 11 WING LE (VARIABLE) (LH) (PRE SB 767-57A0057) (FOR DETAILS SEE FIG. 3)	E	RF
-1E	114T4102-29		STRUCTURE ASSY-OUTBD SLAT NO. 2 AND 11 WING LE (VARIABLE) (LH) (PRE SB 767-57A0057) (FOR DETAILS SEE FIG. 3)	F	RF
-1F	114T4102-31		STRUCTURE ASSY-OUTBD SLAT NO.2 AND 11 WING LE (LH) (POST SB 767-32-0107) (PRE SB 767-57A0057) (FOR DETAILS SEE FIG. 4)	G	RF
-1G	114T4102-33		DELETED		

**57-43-45**

ILLUSTRATED PARTS LIST  
 01.1 Page 1041  
 Nov 01/00

FIG. & ITEM	PART NO.	AIRLINE PART NUMBER	NOMENCLATURE 1234567	EFF CODE	QTY PER ASSY
01- -1H	114T4102-37		STRUCTURE ASSY-OUTBD SLAT NO.2 AND 11 WING LE (VARIABLE) (LH) (PRE SB 767-57A0057) (FOR DETAILS SEE FIG. 3)	T	RF
-1J	114T4102-39		STRUCTURE ASSY-OUTBD SLAT NO.2 AND 11 WING LE (VARIABLE) (LH) (PRE SB 767-57A0057) (FOR DETAILS SEE FIG. 4)	V	RF
-1K	015T0165-5		SLAT ASSY-NO. 2 AND 11 WING LE TOP KIT (LH) (POST SB 767-32-0095) (POST SB 757-32-0095) (PRE SB 767-57A0057) (FOR DETAILS SEE FIG. 3)	X	RF
-1L	114T4102-41		STRUCTURE ASSY-OUTBD SLAT NO.2 AND 11 WING LE (LH) (PRE SB 767-57A0057) (FOR DETAILS SEE FIG. 4)	Z	RF
-1M	114T4102-45		STRUCTURE ASSY-OUTBD SLAT NO.2 AND 11 WING LE (VARIABLE) (LH) (PRE SB 767-57A0057) (FOR DETAILS SEE FIG. 4)	L	RF
-1N	114T4102-47		STRUCTURE ASSY-OUTBD SLAT NO.2 AND 11 WING LE (LH) (FOR DETAILS SEE FIG. 4)	H	RF
-1P	114T4102-49		DELETED		
-1Q	015T1507-201		STRUCTURE ASSY-OUTBD SLAT NO.2 AND 11 WING LE (LH) (POST SB 767-57A0057) (FOR DETAILS SEE FIG. 2)	AE	RF
-1R	015T1507-203		STRUCTURE ASSY-OUTBD SLAT NO.2 AND 11 WING LE (LH) (POST SB 767-57A0057) (FOR DETAILS SEE FIG. 2)	AF	RF
-1S	015T1507-205		STRUCTURE ASSY-OUTBD SLAT NO.2 AND 11 WING LE (LH) (POST SB 767-57A0057) (FOR DETAILS SEE FIG. 2)	AG	RF
-1T	015T1507-235		STRUCTURE ASSY-OUTBD SLAT NO.2 AND 11 WING LE (LH) (POST SB 767-57A0057) (FOR DETAILS SEE FIG. 2)	AH	RF

# 57-43-45

 ILLUSTRATED PARTS LIST  
 01.1 Page 1042  
 Nov 01/00

FIG. & ITEM	PART NO.	AIRLINE PART NUMBER	NOMENCLATURE 1234567	EFF CODE	QTY PER ASSY
01- -1U	015T1507-237		STRUCTURE ASSY-OUTBD SLAT NO.2 AND 11 WING LE (LH) (POST SB 767-57A0057) (FOR DETAILS SEE FIG. 2)	AJ	RF
-1V	015T1507-239		STRUCTURE ASSY-OUTBD SLAT NO.2 AND 11 WING LE (LH) (POST SB 767-57A0057) (FOR DETAILS SEE FIG. 2)	AK	RF
-1W	015T1507-207		STRUCTURE ASSY-OUTBD SLAT NO.2 AND 11 WING LE (LH) (POST SB 767-57A0057) (FOR DETAILS SEE FIG. 3)	AS	RF
-1X	015T1507-209		STRUCTURE ASSY-OUTBD SLAT NO.2 AND 11 WING LE (LH) (POST SB 767-57A0057) (FOR DETAILS SEE FIG. 3)	AT	RF
-1Y	015T1507-211		STRUCTURE ASSY-OUTBD SLAT NO.2 AND 11 WING LE (LH) (POST SB 767-57A0057) (FOR DETAILS SEE FIG. 3)	AU	RF
-1Z	015T1507-241		STRUCTURE ASSY-OUTBD SLAT NO.2 AND 11 WING LE (LH) (POST SB 767-57A0057) (FOR DETAILS SEE FIG. 3)	AV	RF
-2	015T1507-243		STRUCTURE ASSY-OUTBD SLAT NO.2 AND 11 WING LE (LH) (POST SB 767-57A0057) (FOR DETAILS SEE FIG. 3)	AW	RF
-2A	015T1507-245		STRUCTURE ASSY-OUTBD SLAT NO.2 AND 11 WING LE (LH) (POST SB 767-57A0057) (FOR DETAILS SEE FIG. 3)	AX	RF
-2B	015T1507-213		STRUCTURE ASSY-OUTBD SLAT NO.2 AND 11 WING LE (LH) (POST SB 767-57A0057) (FOR DETAILS SEE FIG. 3)	AY	RF
-2C	015T1507-247		STRUCTURE ASSY-OUTBD SLAT NO.2 AND 11 WING LE (LH) (POST SB 767-57A0057) (FOR DETAILS SEE FIG. 3)	AZ	RF
-2D	015T1507-215		STRUCTURE ASSY-OUTBD SLAT NO.2 AND 11 WING LE (LH) (POST SB 767-57A0057) (FOR DETAILS SEE FIG. 3)	BA	RF

**57-43-45**

ILLUSTRATED PARTS LIST  
 01.1 Page 1042A  
 Nov 01/00

FIG. & ITEM	PART NO.	AIRLINE PART NUMBER	NOMENCLATURE 1234567	EFF CODE	QTY PER ASSY
01- -2E	015T1507-217		STRUCTURE ASSY-OUTBD SLAT NO.2 AND 11 WING LE (LH) (POST SB 767-57A0057) (FOR DETAILS SEE FIG. 3)	BB	RF
-2F	015T1507-219		STRUCTURE ASSY-OUTBD SLAT NO.2 AND 11 WING LE (LH) (POST SB 767-57A0057) (FOR DETAILS SEE FIG. 3)	BC	RF
-2G	015T1507-249		STRUCTURE ASSY-OUTBD SLAT NO.2 AND 11 WING LE (LH) (POST SB 767-57A0057) (FOR DETAILS SEE FIG. 3)	BD	RF
-2H	015T1507-251		STRUCTURE ASSY-OUTBD SLAT NO.2 AND 11 WING LE (LH) (POST SB 767-57A0057) (FOR DETAILS SEE FIG. 3)	BE	RF
-2J	015T1507-253		STRUCTURE ASSY-OUTBD SLAT NO.2 AND 11 WING LE (LH) (POST SB 767-57A0057) (FOR DETAILS SEE FIG. 3)	BF	RF
-2K	015T1507-221		STRUCTURE ASSY-OUTBD SLAT NO.2 AND 11 WING LE (LH) (POST SB 767-57A0057) (FOR DETAILS SEE FIG. 3)	BG	RF
-2L	015T1507-255		STRUCTURE ASSY-OUTBD SLAT NO.2 AND 11 WING LE (LH) (POST SB 767-57A0057) (FOR DETAILS SEE FIG. 3)	BH	RF
-2M	015T1507-223		STRUCTURE ASSY-OUTBD SLAT NO.2 AND 11 WING LE (LH) (POST SB 767-57A0057) (FOR DETAILS SEE FIG. 3)	BJ	RF
-2N	015T1507-257		STRUCTURE ASSY-OUTBD SLAT NO.2 AND 11 WING LE (LH) (POST SB 767-57A0057) (FOR DETAILS SEE FIG. 3)	BK	RF
-2P	015T1507-227		STRUCTURE ASSY-OUTBD SLAT NO.2 AND 11 WING LE (LH) (POST SB 767-57A0057) (FOR DETAILS SEE FIG. 3)	BL	RF
-2Q	015T1507-261		STRUCTURE ASSY-OUTBD SLAT NO.2 AND 11 WING LE (LH) (POST SB 767-57A0057) (FOR DETAILS SEE FIG. 3)	BM	RF

# 57-43-45

 ILLUSTRATED PARTS LIST  
 01.1 Page 1042B  
 Nov 01/00

FIG. & ITEM	PART NO.	AIRLINE PART NUMBER	NOMENCLATURE 1234567	EFF CODE	QTY PER ASSY
01- -2R	015T1507-269		STRUCTURE ASSY-OUTBD SLAT NO.2 AND 11 WING LE (LH) (POST SB 767-57A0057) (FOR DETAILS SEE FIG. 3)	BN	RF
-2S	015T1507-271		STRUCTURE ASSY-OUTBD SLAT NO.2 AND 11 WING LE (LH) (POST SB 767-57A0057) (FOR DETAILS SEE FIG. 3)	BP	RF
-2T	015T1507-225		STRUCTURE ASSY-OUTBD SLAT NO.2 AND 11 WING LE (LH) (POST SB 767-57A0057) (FOR DETAILS SEE FIG. 4)	CN	RF
-2U	015T1507-259		STRUCTURE ASSY-OUTBD SLAT NO.2 AND 11 WING LE (LH) (POST SB 767-57A0057) (FOR DETAILS SEE FIG. 4)	CP	RF
-2V	015T1507-229		STRUCTURE ASSY-OUTBD SLAT NO.2 AND 11 WING LE (LH) (POST SB 767-57A0057) (FOR DETAILS SEE FIG. 4)	CQ	RF
-2W	015T1507-263		STRUCTURE ASSY-OUTBD SLAT NO.2 AND 11 WING LE (LH) (POST SB 767-57A0057) (FOR DETAILS SEE FIG. 4)	CR	RF
-2X	015T1507-231		STRUCTURE ASSY-OUTBD SLAT NO.2 AND 11 WING LE (LH) (POST SB 767-57A0057) (FOR DETAILS SEE FIG. 4)	CS	RF
-2Y	015T1507-265		STRUCTURE ASSY-OUTBD SLAT NO.2 AND 11 WING LE (LH) (POST SB 767-57A0057) (FOR DETAILS SEE FIG. 4)	CT	RF
-2Z	015T1507-233		STRUCTURE ASSY-OUTBD SLAT NO.2 AND 11 WING LE (LH) (POST SB 767-57A0057) (FOR DETAILS SEE FIG. 4)	CU	RF
-3	015T1507-267		STRUCTURE ASSY-OUTBD SLAT NO.2 AND 11 WING LE (LH) (POST SB 767-57A0057) (FOR DETAILS SEE FIG. 4)	CV	RF
-3A	114T4102-51SP		STRUCTURE ASSY-OUTBD SLAT NO.2 AND 11 WING LE (LH) (FOR DETAILS SEE FIG. 4)	DE	RF

**57-43-45**

FIG. & ITEM	PART NO.	AIRLINE PART NUMBER	NOMENCLATURE 1234567	EFF CODE	QTY PER ASSY
01- -3B	114T4102-53SP		STRUCTURE ASSY-OUTBD SLAT NO.2 AND 11 WING LE (LH) (FOR DETAILS SEE FIG. 4)	DF	RF
-3C	114T4102-401SP		STRUCTURE ASSY-OUTBD SLAT NO.2 AND 11 WING LE (LH) (FOR DETAILS SEE FIG. 4)	DJ	RF
-3D	114T4102-403G		STRUCTURE ASSY-OUTBD SLAT NO.2 AND 11 WING LE (LH) (FOR DETAILS SEE FIG. 4)	DL	RF
-3E	114T4102-403P		STRUCTURE ASSY-OUTBD SLAT NO.2 AND 11 WING LE (LH) (FOR DETAILS SEE FIG. 4)	DM	RF
-5	114T4102-14SP		STRUCTURE ASSY-OUTBD SLAT NO.2 AND 11 WING LE (RH) (REWORK DWG 114T4182-2) (PRE SB 757-32-0095) (PRE SB 767-32-0107) (PRE SB 767-32-0095) (PRE SB 767-57A0057) (FOR DETAILS SEE FIG. 2)	M	RF
-5A	114T4102-22SP		STRUCTURE ASSY-OUTBD SLAT NO.2 AND 11 WING LE (RH) (REWORK DWG 114T4182-2) (PRE SB 757-32-0095) (PRE SB 767-32-0095) (PRE SB 767-57A0057) (FOR DETAILS SEE FIG. 3)	N	RF
-5B	114T4102-24		STRUCTURE ASSY-OUTBD SLAT NO.2 AND 11 WING LE (RH) (VARIABLE) (REWORK DWG 114T4182-2) (PRE SB 767-57A0057) (FOR DETAILS SEE FIG. 3)	P	RF
-5C	114T4102-26SP		STRUCTURE ASSY-OUTBD SLAT NO.2 AND 11 WING LE (RH) (POST SB 767-32-0107) (PRE SB 767-57A0057) (FOR DETAILS SEE FIG.3)	Q	RF

# 57-43-45

 ILLUSTRATED PARTS LIST  
 01.1 Page 1042D  
 Nov 01/00

FIG. & ITEM	PART NO.	AIRLINE PART NUMBER	NOMENCLATURE 1234567	EFF CODE	QTY PER ASSY
01- -5D	114T4102-28		STRUCTURE ASSY-OUTBD SLAT NO.2 AND 11 WING LE (VARIABLE) (RH) (PRE SB 767-57A0057) (FOR DETAILS SEE FIG. 3)	R	RF
-5E	114T4102-30		STRUCTURE ASSY-OUTBD SLAT NO.2 AND 11 WING LE (VARIABLE) (RH) (PRE SB 767-57A0057) (FOR DETAILS SEE FIG. 3)	S	RF
-5F	114T4102-32		STRUCTURE ASSY-OUTBD SLAT NO.2 AND 11 WING LE (RH) (POST SB 767-32-0107) (PRE SB 767-57A0057) (FOR DETAILS SEE FIG.4)	J	RF
-5G	114T4102-34		DELETED		
-5H	114T4102-38		STRUCTURE ASSY-OUTBD SLAT NO.2 AND 11 WING LE (VARIABLE) (RH) (PRE SB 767-57A0057) (FOR DETAILS SEE FIG. 3)	U	RF
-5J	114T4102-40		STRUCTURE ASSY-OUTBD SLAT NO.2 AND 11 WING LE (VARIABLE) (RH) (PRE SB 767-57A0057) (FOR DETAILS SEE FIG.4)	W	RF
-5K	015T0165-6		SLAT ASSY-NO. 2 AND 11 WING LE TOP KIT (RH) (POST SB 767-32-0095) (POST SB 757-32-0095) (PRE SB 767-57A0057) (FOR DETAILS SEE FIG. 3)	Y	RF
-5L	114T4102-42		STRUCTURE ASSY-OUTBD SLAT NO.2 AND 11 WING LE (RH) (PRE SB 767-57A0057) (FOR DETAILS SEE FIG.4)	AA	RF
-5M	114T4102-46		STRUCTURE ASSY-OUTBD SLAT NO.2 AND 11 WING LE (VARIABLE) (RH) (PRE SB 767-57A0057) (FOR DETAILS SEE FIG.4)	AB	RF
-5N	114T4102-48		STRUCTURE ASSY-OUTBD SLAT NO.2 AND 11 WING LE (RH) (FOR DETAILS SEE FIG.4)	K	RF
-5P	114T4102-50		DELETED		

57-43-45



FIG. & ITEM	PART NO.	AIRLINE PART NUMBER	NOMENCLATURE 1234567	EFF CODE	QTY PER ASSY
01- -5Q	015T1507-202		STRUCTURE ASSY-OUTBD SLAT NO.2 AND 11 WING LE (RH) (POST SB 767-57A0057) (FOR DETAILS SEE FIG. 2)	AL	RF
-5R	015T1507-204		STRUCTURE ASSY-OUTBD SLAT NO.2 AND 11 WING LE (RH) (POST SB 767-57A0057) (FOR DETAILS SEE FIG. 2)	AM	RF
-5S	015T1507-206		STRUCTURE ASSY-OUTBD SLAT NO.2 AND 11 WING LE (RH) (POST SB 767-57A0057) (FOR DETAILS SEE FIG. 2)	AN	RF
-5T	015T1507-236		STRUCTURE ASSY-OUTBD SLAT NO.2 AND 11 WING LE (RH) (POST SB 767-57A0057) (FOR DETAILS SEE FIG. 2)	AP	RF
-5U	015T1507-238		STRUCTURE ASSY-OUTBD SLAT NO.2 AND 11 WING LE (RH) (POST SB 767-57A0057) (FOR DETAILS SEE FIG. 2)	AQ	RF
-5V	015T1507-240		STRUCTURE ASSY-OUTBD SLAT NO.2 AND 11 WING LE (RH) (POST SB 767-57A0057) (FOR DETAILS SEE FIG. 2)	AR	RF
-5W	015T1507-208		STRUCTURE ASSY-OUTBD SLAT NO.2 AND 11 WING LE (RH) (POST SB 767-57A0057) (FOR DETAILS SEE FIG. 3)	BQ	RF
-5X	015T1507-210		STRUCTURE ASSY-OUTBD SLAT NO.2 AND 11 WING LE (RH) (POST SB 767-57A0057) (FOR DETAILS SEE FIG. 3)	BR	RF
-5Y	015T1507-212		STRUCTURE ASSY-OUTBD SLAT NO.2 AND 11 WING LE (RH) (POST SB 767-57A0057) (FOR DETAILS SEE FIG. 3)	BS	RF
-5Z	015T1507-242		STRUCTURE ASSY-OUTBD SLAT NO.2 AND 11 WING LE (RH) (POST SB 767-57A0057) (FOR DETAILS SEE FIG. 3)	BT	RF
-6	015T1507-244		STRUCTURE ASSY-OUTBD SLAT NO.2 AND 11 WING LE (RH) (POST SB 767-57A0057) (FOR DETAILS SEE FIG. 3)	BU	RF

# 57-43-45

 ILLUSTRATED PARTS LIST  
 01.1 Page 1042F  
 Nov 01/00

FIG. & ITEM	PART NO.	AIRLINE PART NUMBER	NOMENCLATURE 1234567	EFF CODE	QTY PER ASSY
01- -6A	015T1507-246		STRUCTURE ASSY-OUTBD SLAT NO.2 AND 11 WING LE (RH) (POST SB 767-57A0057) (FOR DETAILS SEE FIG. 3)	BV	RF
-6B	015T1507-214		STRUCTURE ASSY-OUTBD SLAT NO.2 AND 11 WING LE (RH) (POST SB 767-57A0057) (FOR DETAILS SEE FIG. 3)	BW	RF
-6C	015T1507-248		STRUCTURE ASSY-OUTBD SLAT NO.2 AND 11 WING LE (RH) (POST SB 767-57A0057) (FOR DETAILS SEE FIG. 3)	BX	RF
-6D	015T1507-216		STRUCTURE ASSY-OUTBD SLAT NO.2 AND 11 WING LE (RH) (POST SB 767-57A0057) (FOR DETAILS SEE FIG. 3)	BY	RF
-6E	015T1507-218		STRUCTURE ASSY-OUTBD SLAT NO.2 AND 11 WING LE (RH) (POST SB 767-57A0057) (FOR DETAILS SEE FIG. 3)	BZ	RF
-6F	015T1507-220		STRUCTURE ASSY-OUTBD SLAT NO.2 AND 11 WING LE (RH) (POST SB 767-57A0057) (FOR DETAILS SEE FIG. 3)	CA	RF
-6G	015T1507-250		STRUCTURE ASSY-OUTBD SLAT NO.2 AND 11 WING LE (RH) (POST SB 767-57A0057) (FOR DETAILS SEE FIG. 3)	CB	RF
-6H	015T1507-252		STRUCTURE ASSY-OUTBD SLAT NO.2 AND 11 WING LE (RH) (POST SB 767-57A0057) (FOR DETAILS SEE FIG. 3)	CC	RF
-6J	015T1507-254		STRUCTURE ASSY-OUTBD SLAT NO.2 AND 11 WING LE (RH) (POST SB 767-57A0057) (FOR DETAILS SEE FIG. 3)	CD	RF
-6K	015T1507-222		STRUCTURE ASSY-OUTBD SLAT NO.2 AND 11 WING LE (RH) (POST SB 767-57A0057) (FOR DETAILS SEE FIG. 3)	CE	RF
-6L	015T1507-256		STRUCTURE ASSY-OUTBD SLAT NO.2 AND 11 WING LE (RH) (POST SB 767-57A0057) (FOR DETAILS SEE FIG. 3)	CF	RF

**57-43-45**

ILLUSTRATED PARTS LIST  
 01.1 Page 1042G  
 Nov 01/00

FIG. & ITEM	PART NO.	AIRLINE PART NUMBER	NOMENCLATURE 1234567	EFF CODE	QTY PER ASSY
01- -6M	015T1507-224		STRUCTURE ASSY-OUTBD SLAT NO.2 AND 11 WING LE (RH) (POST SB 767-57A0057) (FOR DETAILS SEE FIG. 3)	CG	RF
-6N	015T1507-258		STRUCTURE ASSY-OUTBD SLAT NO.2 AND 11 WING LE (RH) (POST SB 767-57A0057) (FOR DETAILS SEE FIG. 3)	CH	RF
-6P	015T1507-228		STRUCTURE ASSY-OUTBD SLAT NO.2 AND 11 WING LE (RH) (POST SB 767-57A0057) (FOR DETAILS SEE FIG. 3)	CJ	RF
-6Q	015T1507-262		STRUCTURE ASSY-OUTBD SLAT NO.2 AND 11 WING LE (RH) (POST SB 767-57A0057) (FOR DETAILS SEE FIG. 3)	CK	RF
-6R	015T1507-270		STRUCTURE ASSY-OUTBD SLAT NO.2 AND 11 WING LE (RH) (POST SB 767-57A0057) (FOR DETAILS SEE FIG. 3)	CL	RF
-6S	015T1507-272		STRUCTURE ASSY-OUTBD SLAT NO.2 AND 11 WING LE (RH) (POST SB 767-57A0057) (FOR DETAILS SEE FIG. 3)	CM	RF
-6T	015T1507-226		STRUCTURE ASSY-OUTBD SLAT NO.2 AND 11 WING LE (RH) (POST SB 767-57A0057) (FOR DETAILS SEE FIG.4)	CW	RF
-6U	015T1507-260		STRUCTURE ASSY-OUTBD SLAT NO.2 AND 11 WING LE (RH) (POST SB 767-57A0057) (FOR DETAILS SEE FIG.4)	CX	RF
-6V	015T1507-230		STRUCTURE ASSY-OUTBD SLAT NO.2 AND 11 WING LE (RH) (POST SB 767-57A0057) (FOR DETAILS SEE FIG.4)	CY	RF
-6W	015T1507-264		STRUCTURE ASSY-OUTBD SLAT NO.2 AND 11 WING LE (RH) (POST SB 767-57A0057) (FOR DETAILS SEE FIG.4)	CZ	RF
-6X	015T1507-232		STRUCTURE ASSY-OUTBD SLAT NO.2 AND 11 WING LE (RH) (POST SB 767-57A0057) (FOR DETAILS SEE FIG.4)	DA	RF

# 57-43-45

 ILLUSTRATED PARTS LIST  
 01.1 Page 1042H  
 Nov 01/00

114T4102  
 015T0165  
 015T1507  
 DASH NUMBERS LIMITED

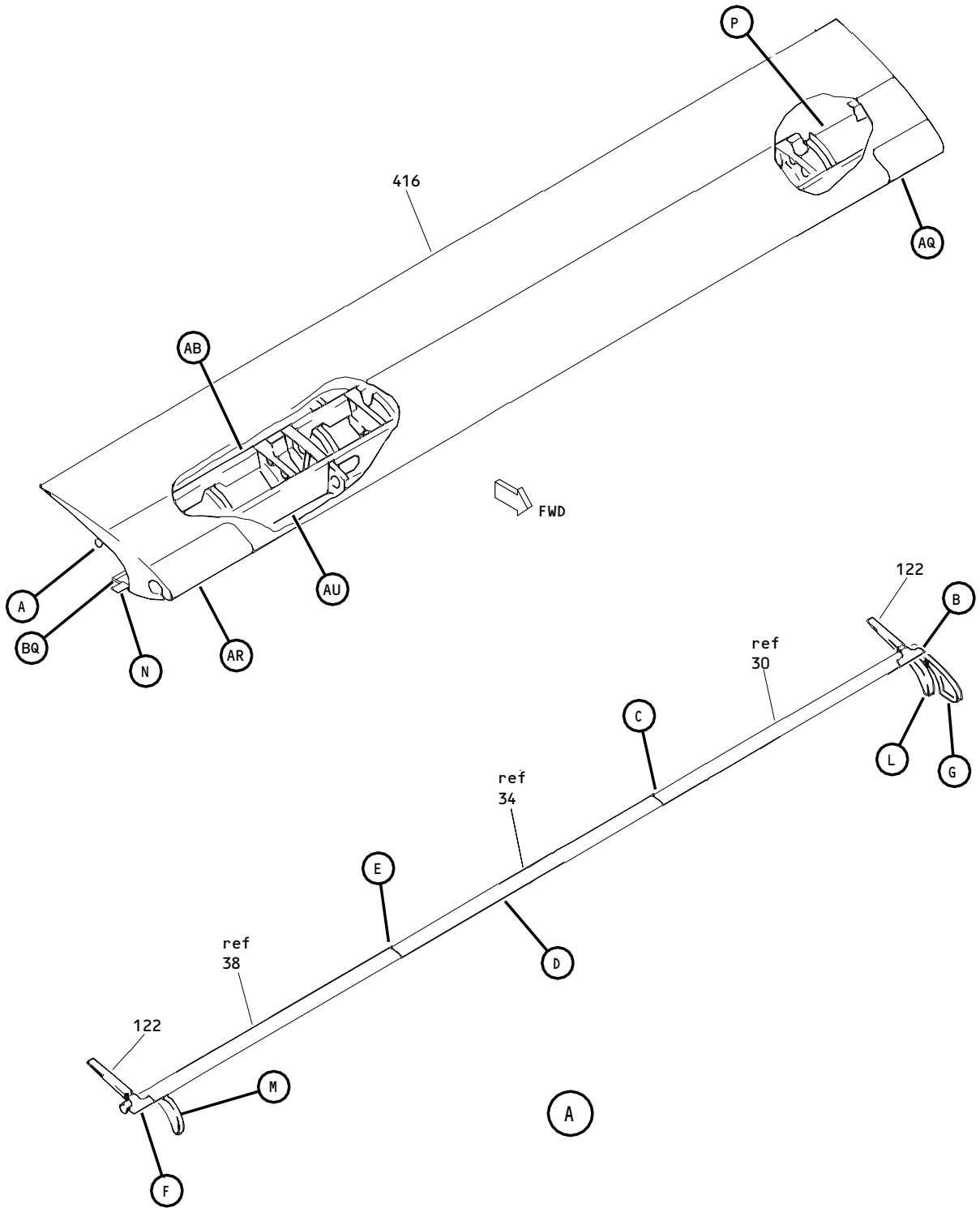
 **BOEING**  
 COMPONENT  
 MAINTENANCE MANUAL

FIG. & ITEM	PART NO.	AIRLINE PART NUMBER	NOMENCLATURE 1234567	EFF CODE	QTY PER ASSY
01- -6Y	015T1507-266		STRUCTURE ASSY-OUTBD SLAT NO.2 AND 11 WING LE (RH) (POST SB 767-57A0057) (FOR DETAILS SEE FIG.4)	DB	RF
-6Z	015T1507-234		STRUCTURE ASSY-OUTBD SLAT NO.2 AND 11 WING LE (RH) (POST SB 767-57A0057) (FOR DETAILS SEE FIG.4)	DC	RF
-7	015T1507-268		STRUCTURE ASSY-OUTBD SLAT NO.2 AND 11 WING LE (RH) (POST SB 767-57A0057) (FOR DETAILS SEE FIG.4)	DD	RF
-7A	114T4102-52SP		STRUCTURE ASSY-OUTBD SLAT NO.2 AND 11 WING LE (RH) (FOR DETAILS SEE FIG.4)	DG	RF
-7B	114T4102-54SP		STRUCTURE ASSY-OUTBD SLAT NO.2 AND 11 WING LE (RH) (FOR DETAILS SEE FIG.4)	DH	RF
-7C	114T4102-402SP		STRUCTURE ASSY-OUTBD SLAT NO.2 AND 11 WING LE (RH) (FOR DETAILS SEE FIG.4)	DK	RF
-7D	114T4102-404G		STRUCTURE ASSY-OUTBD SLAT NO.2 AND 11 WING LE (RH) (FOR DETAILS SEE FIG.4)	DN	RF
-7E	114T4102-404P		STRUCTURE ASSY-OUTBD SLAT NO.2 AND 11 WING LE (RH) (FOR DETAILS SEE FIG.4)	DP	RF

- Item Not Illustrated

**57-43-45**

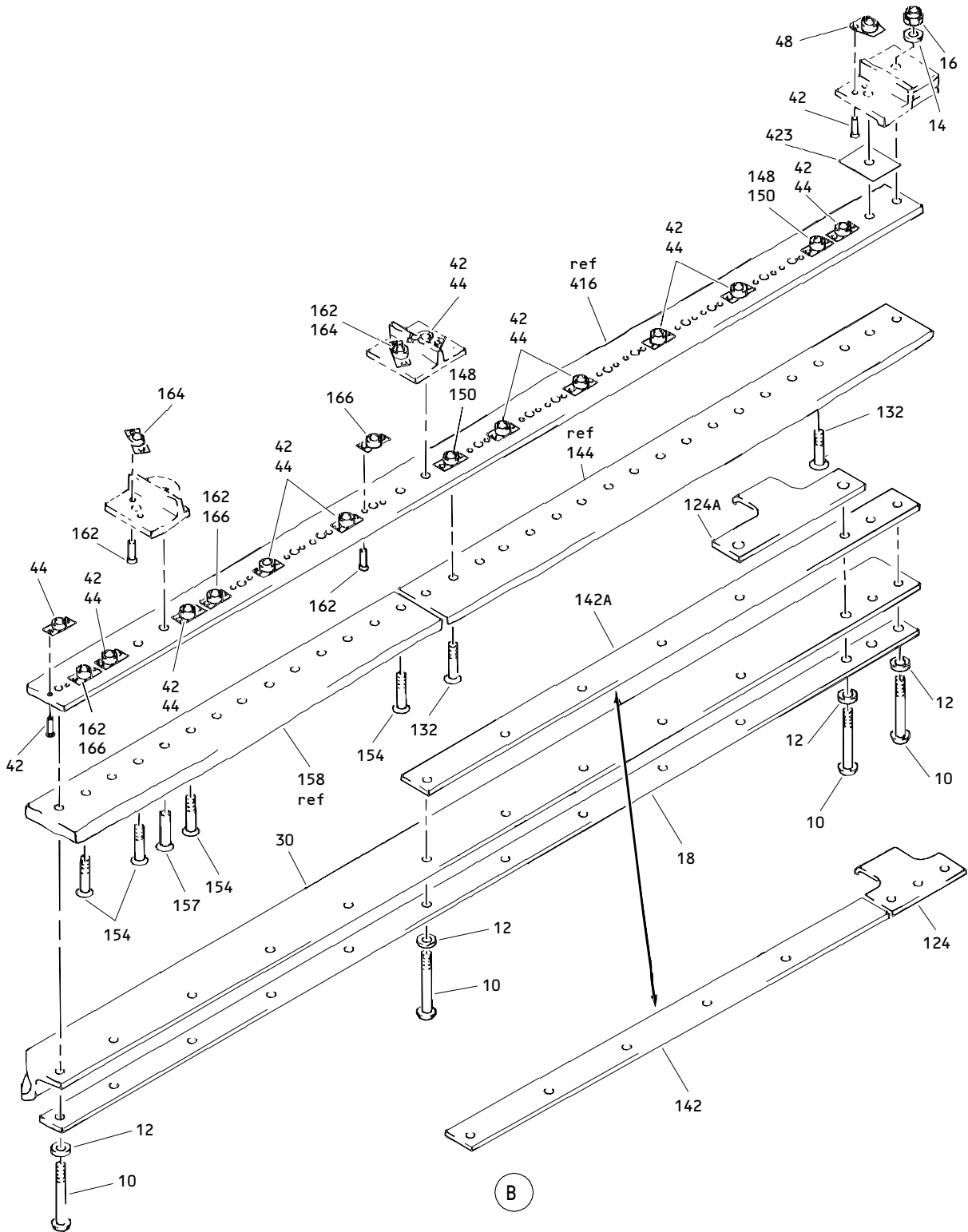
ILLUSTRATED PARTS LIST  
 01.1 Page 1042I  
 Nov 01/00



Outboard Slat No. 2 and 11 Wing Leading Edge Structure Assembly  
 Figure 2 (Sheet 1)

**57-43-45**

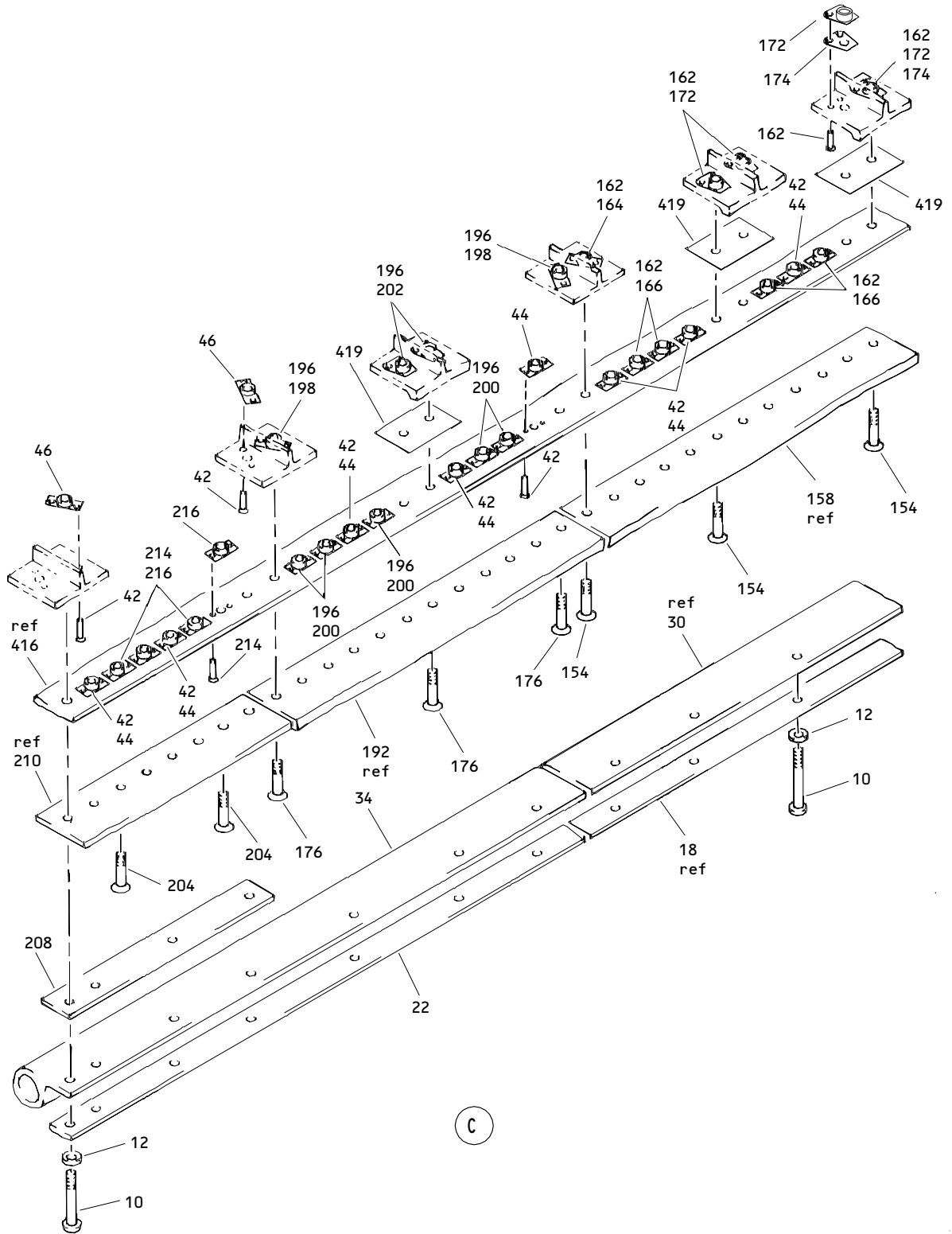
ILLUSTRATED PARTS LIST  
 01.1 Page 1042K  
 Nov 01/00



Outboard Slat No. 2 and No. 11 Wing Leading Edge Structure Assembly  
 Figure 2 (Sheet 2)

**57-43-45**

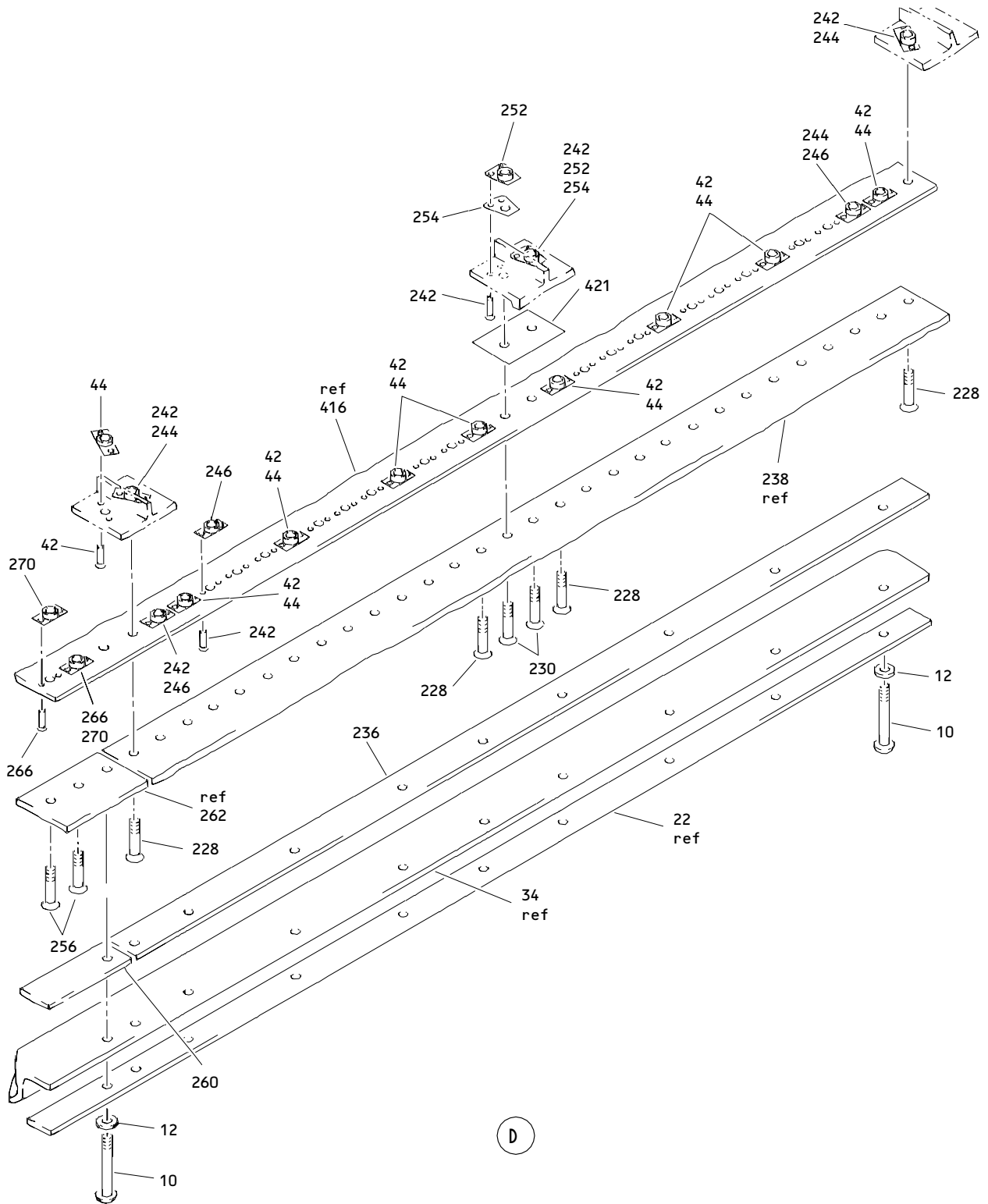
ILLUSTRATED PARTS LIST  
 01.1 Page 1042L  
 Nov 01/00



Outboard Slat No. 2 and No. 11 Wing Leading Edge Structure Assembly  
Figure 2 (Sheet 3)

**57-43-45**

ILLUSTRATED PARTS LIST  
01.1 Page 1042M  
Nov 01/00

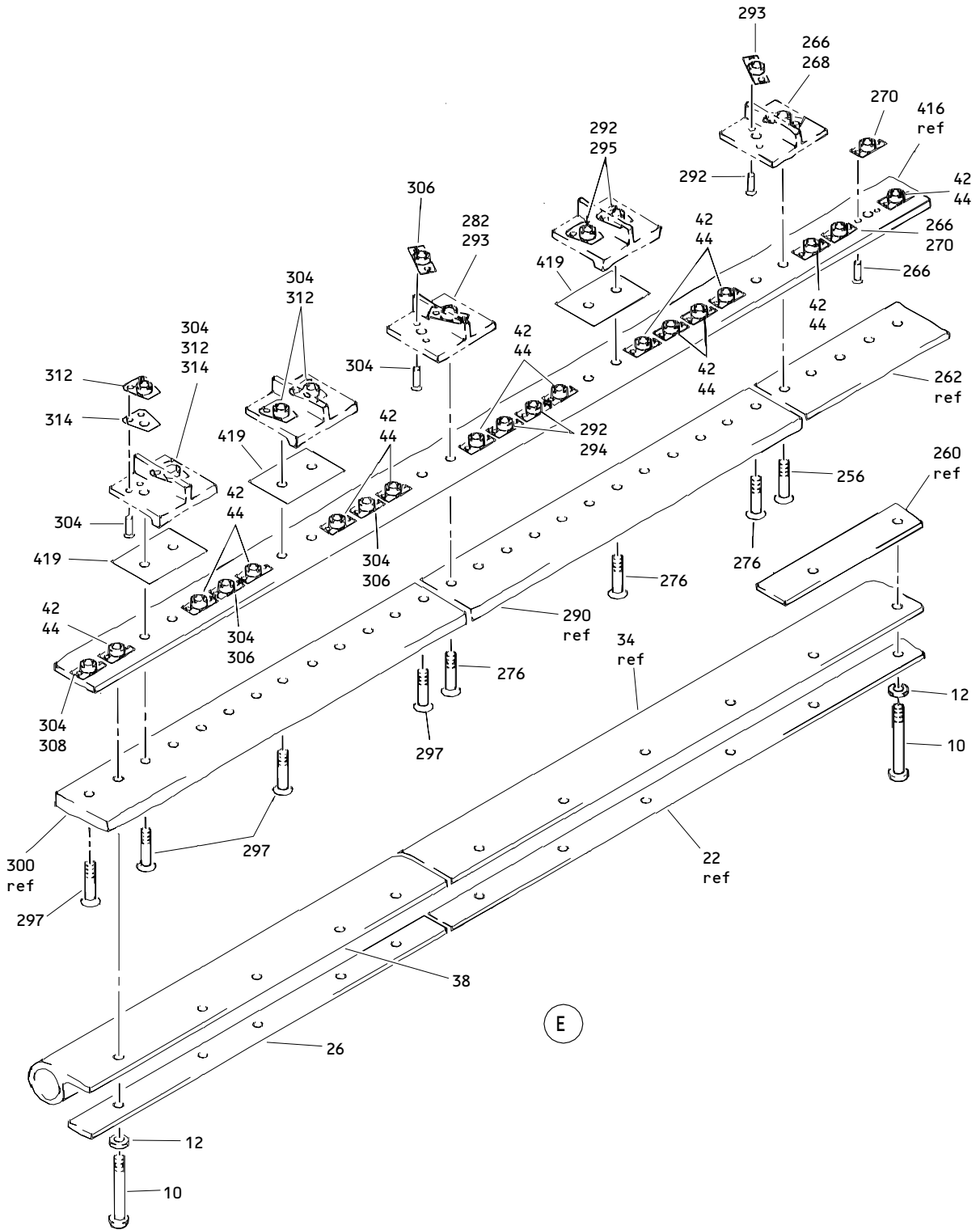


Outboard Slat No. 2 and No. 11 Wing Leading Edge Structure Assembly  
 Figure 2 (Sheet 4)

**57-43-45**

ILLUSTRATED PARTS LIST  
 01.1 Page 1042N  
 Nov 01/00

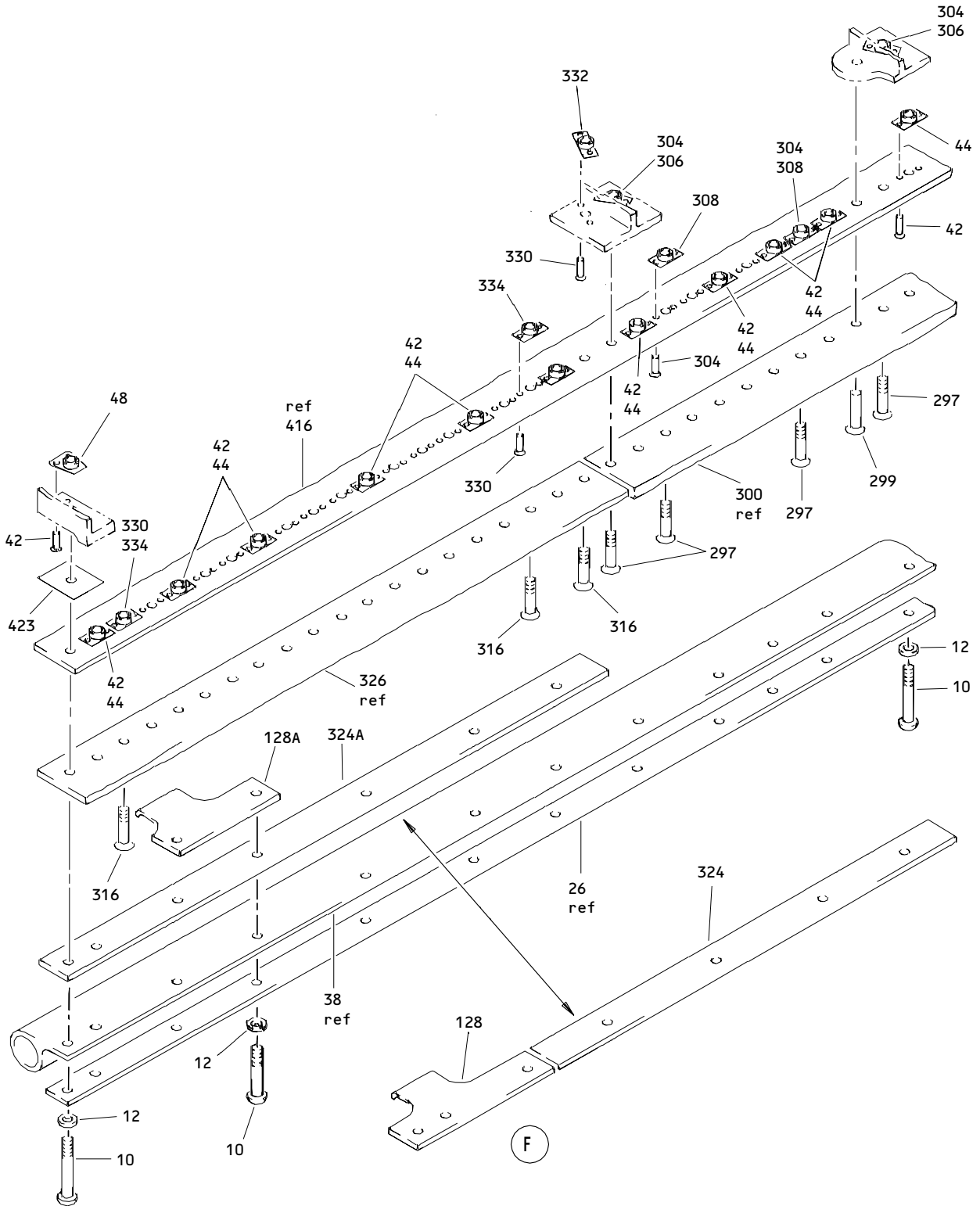




Outboard Slat No. 2 and No. 11 Wing Leading Edge Structure Assembly  
 Figure 2 (Sheet 5)

**57-43-45**

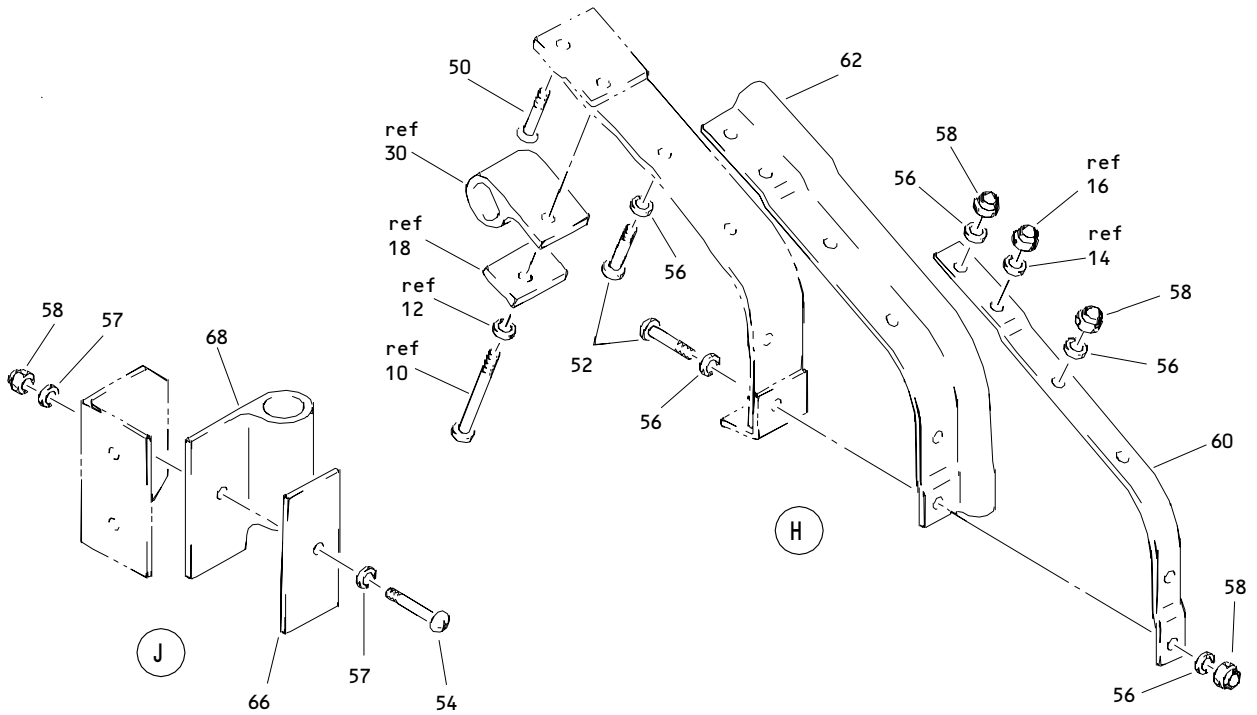
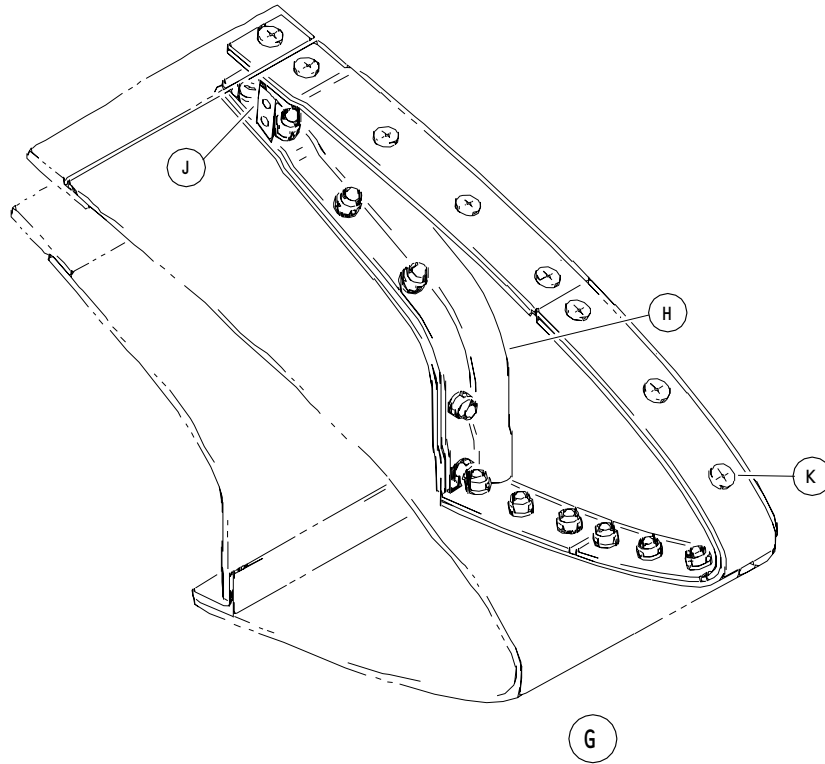
ILLUSTRATED PARTS LIST  
 01.1 Page 10420  
 Nov 01/00



Outboard Slat No. 2 and No. 11 Wing Leading Edge Structure Assembly  
 Figure 2 (Sheet 6)

**57-43-45**

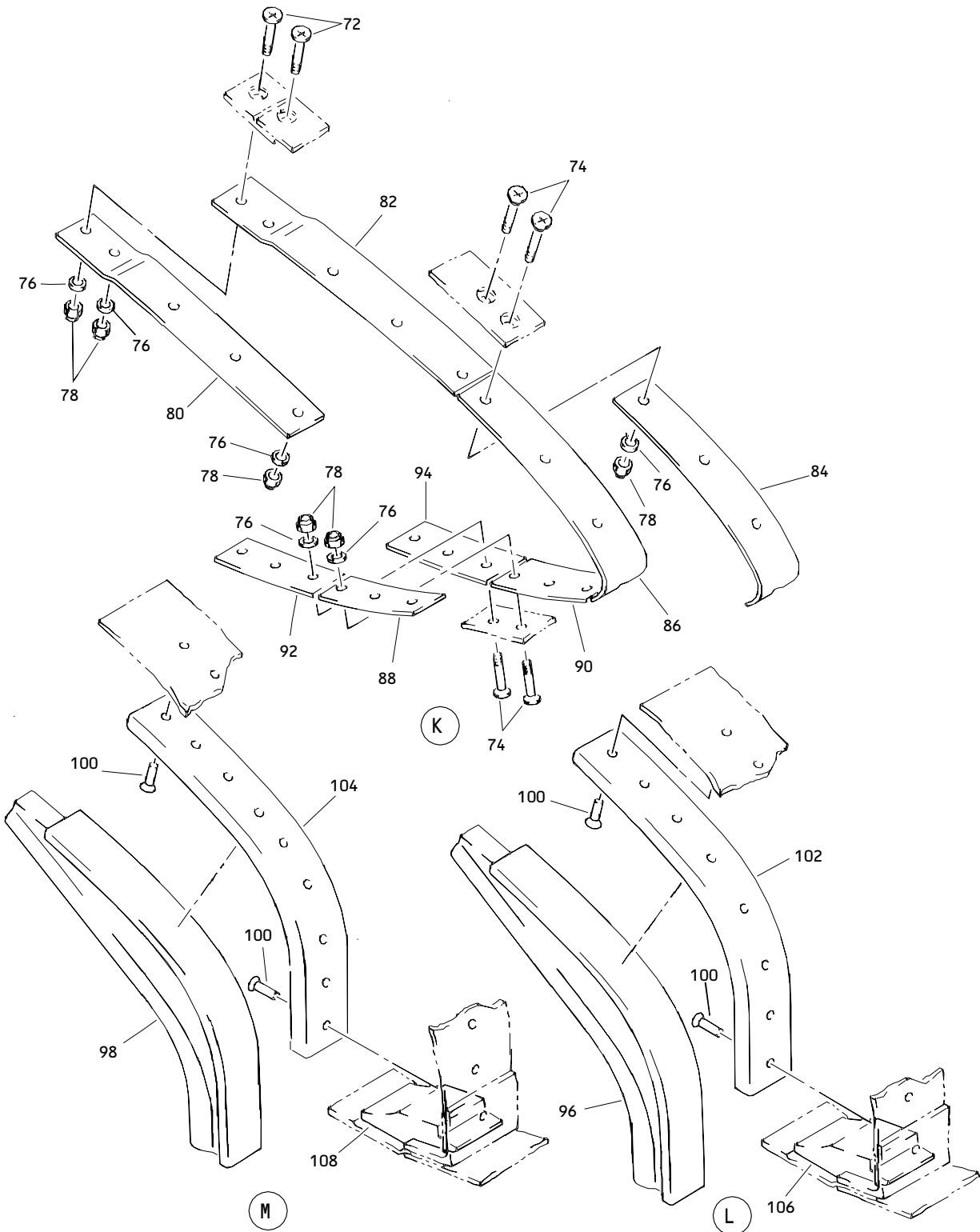
ILLUSTRATED PARTS LIST  
 01.1 Page 1042P  
 Nov 01/00



Outboard Slat No. 2 and No. 11 Wing Leading Edge Structure Assembly  
 Figure 2 (Sheet 7)

**57-43-45**

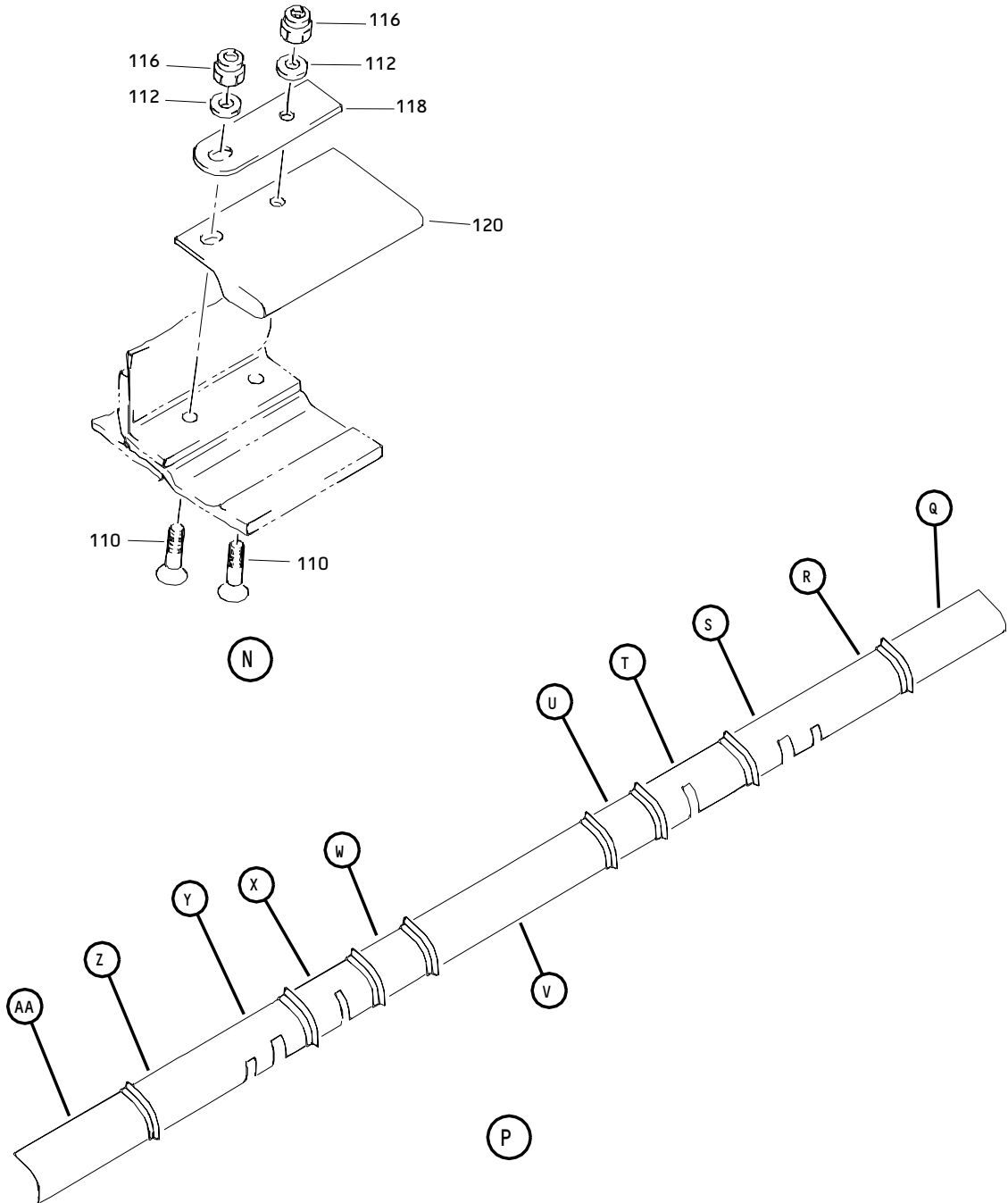
ILLUSTRATED PARTS LIST  
 01.1 Page 1042Q  
 Nov 01/00



Outboard Slat No. 2 and No. 11 Wing Leading Edge Structure Assembly  
 Figure 2 (Sheet 8)

**57-43-45**

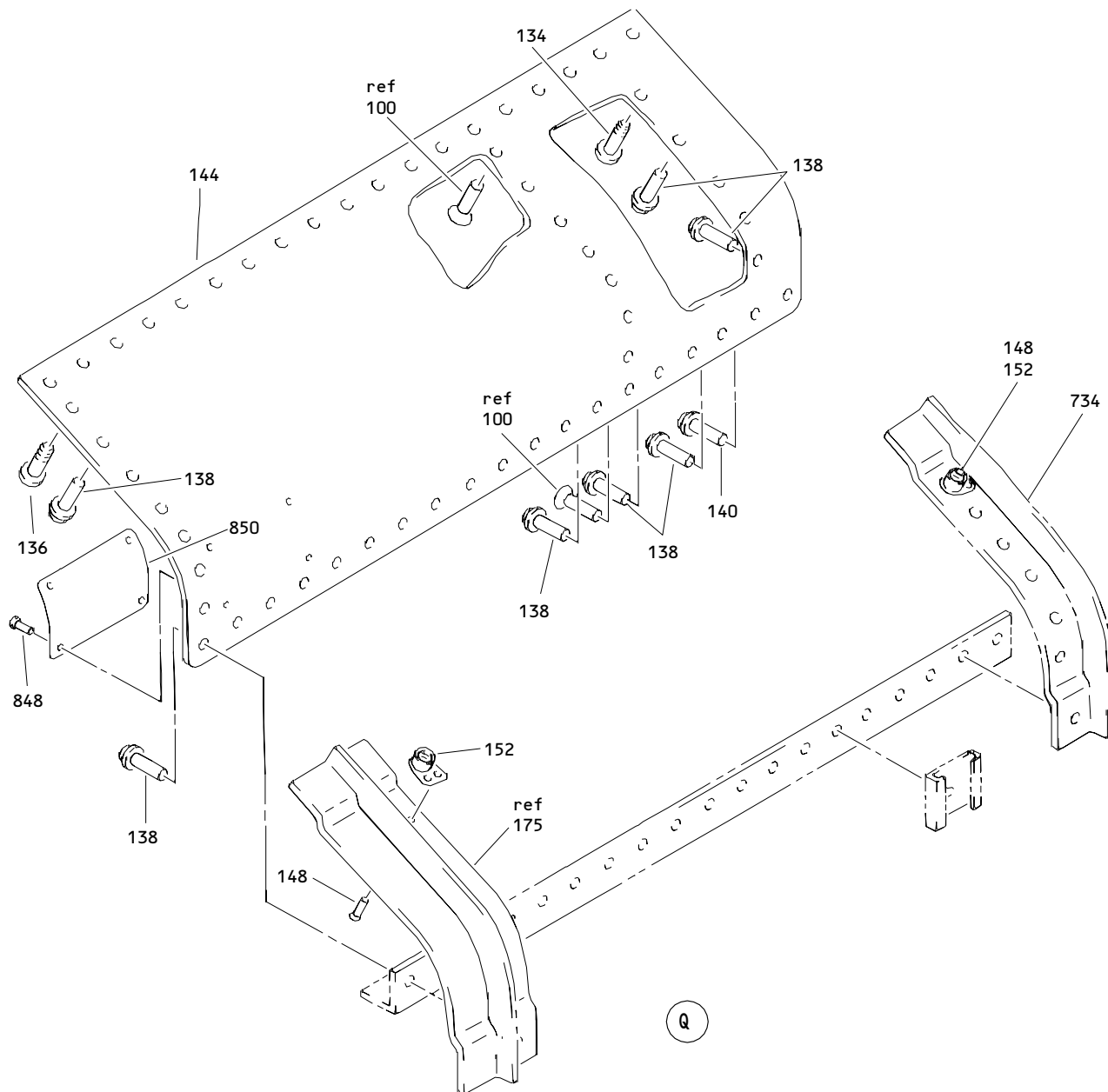
ILLUSTRATED PARTS LIST  
 01.1 Page 1042R  
 Nov 01/00



Outboard Slat No. 2 and No. 11 Wing Leading Edge Structure Assembly  
Figure 2 (Sheet 9)

**57-43-45**

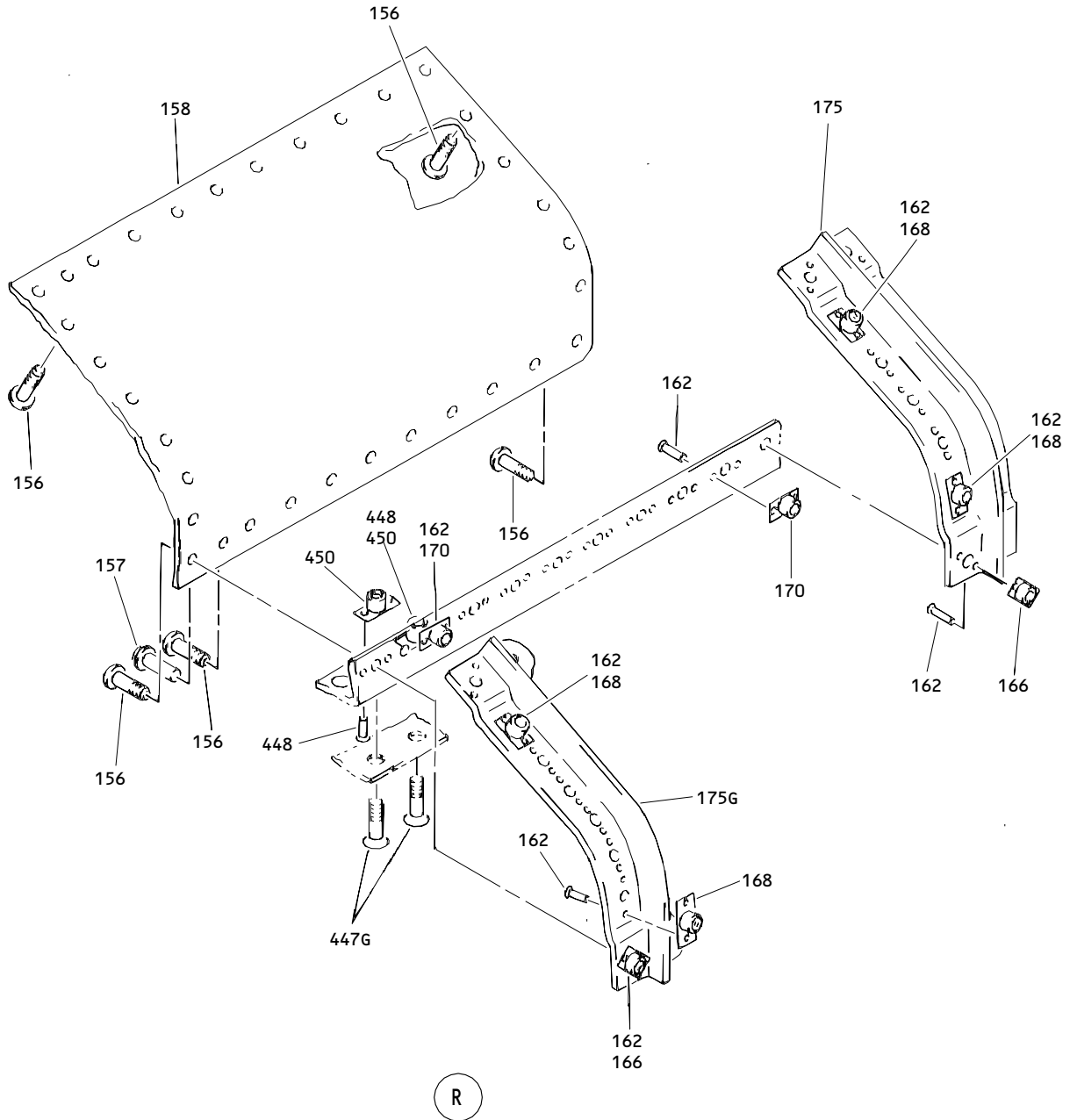
ILLUSTRATED PARTS LIST  
01.1 Page 1042S  
Nov 01/00



Outboard Slat No. 2 and No. 11 Wing Leading Edge Structure Assembly  
 Figure 2 (Sheet 10)

**57-43-45**

ILLUSTRATED PARTS LIST  
 01.1 Page 1042T  
 Nov 01/00



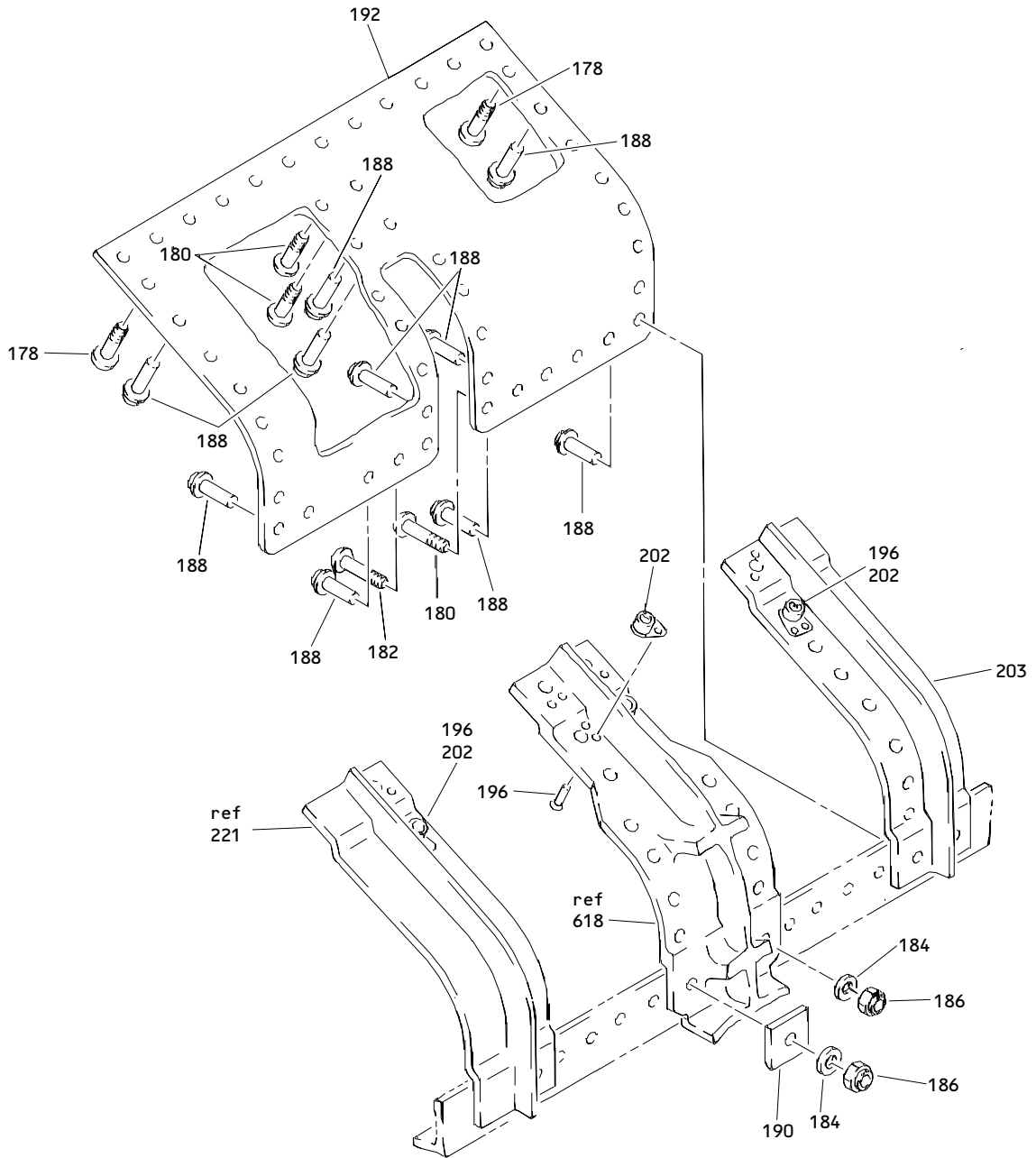
Outboard Slat No. 2 and No. 11 Wing Leading Edge Structure Assembly  
Figure 2 (Sheet 11)

**57-43-45**

ILLUSTRATED PARTS LIST  
01.1 Page 1042U  
Nov 01/00





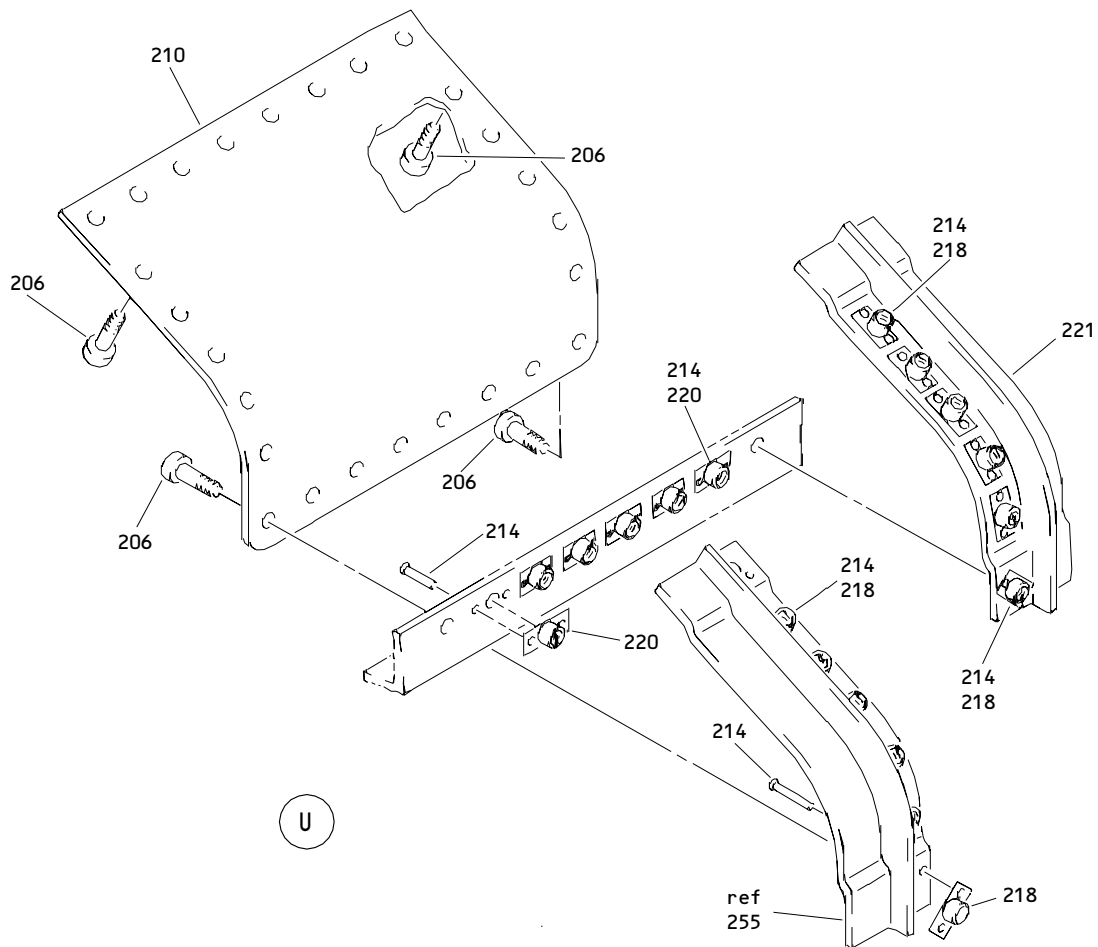


T

Outboard Slat No. 2 and No. 11 Wing Leading Edge Structure Assembly  
Figure 2 (Sheet 13)

**57-43-45**

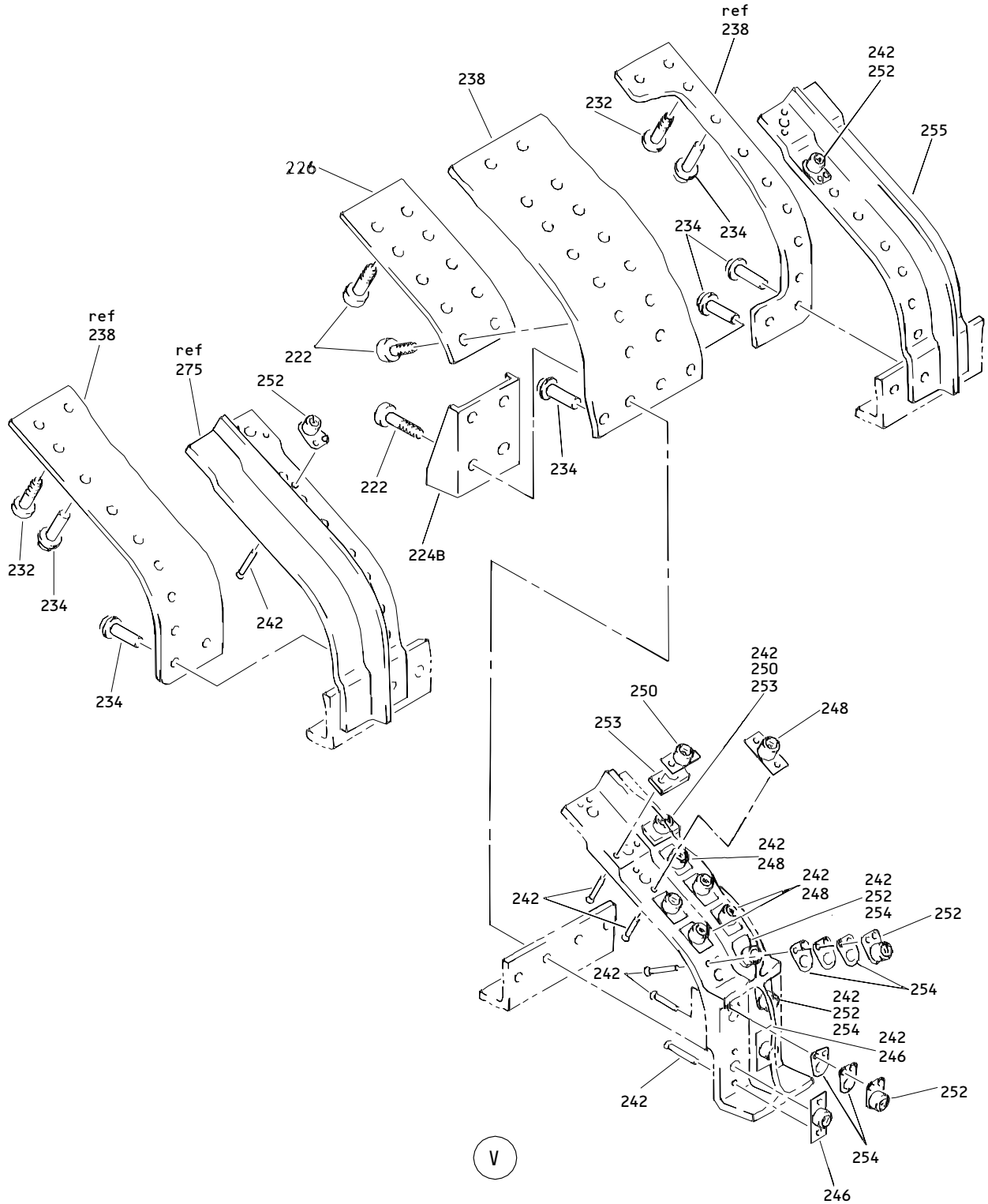
ILLUSTRATED PARTS LIST  
01.1 Page 1042W  
Nov 01/00



Outboard Slat No. 2 and No. 11 Wing Leading Edge Structure Assembly  
 Figure 2 (Sheet 14)

**57-43-45**

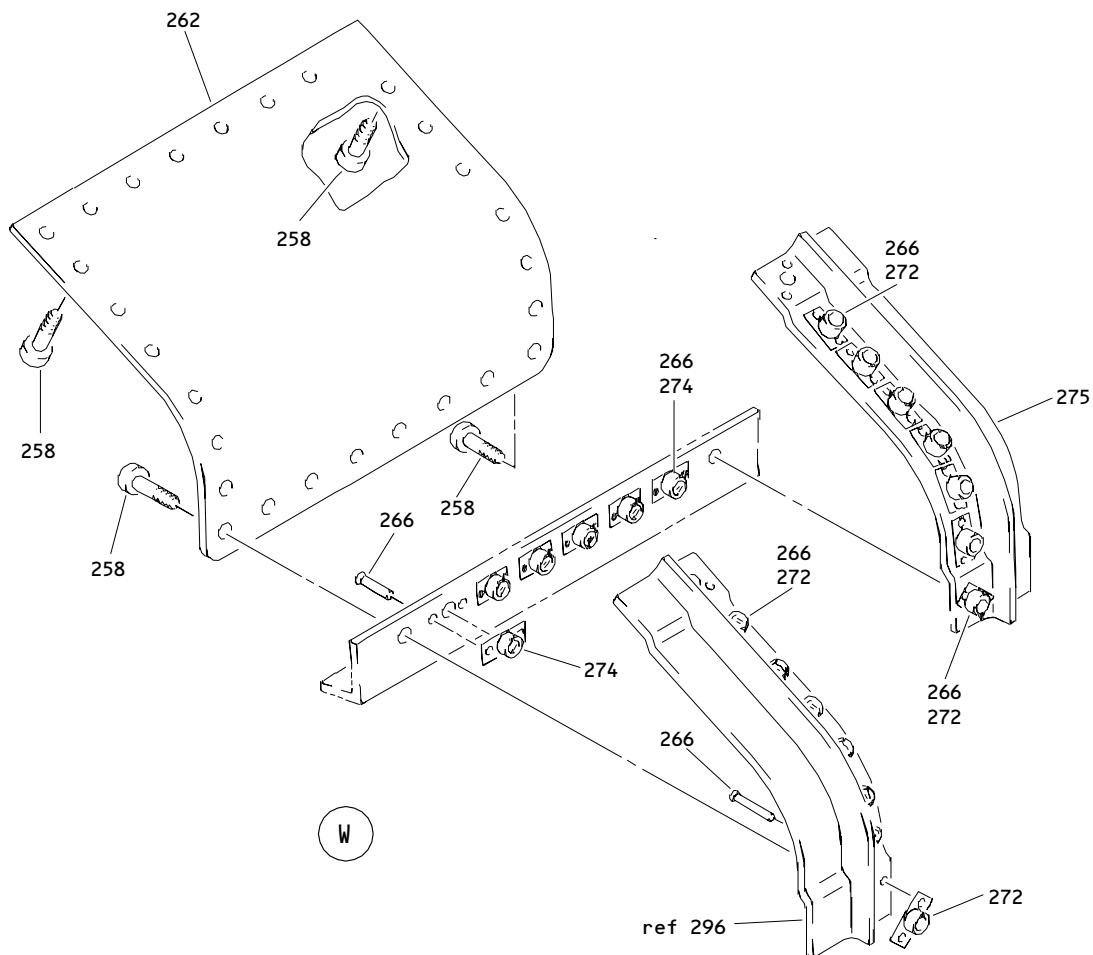
ILLUSTRATED PARTS LIST  
 01.1 Page 1042X  
 Nov 01/00



Outboard Slat No. 2 and No. 11 Wing Leading Edge Structure Assembly  
Figure 2 (Sheet 15)

**57-43-45**

ILLUSTRATED PARTS LIST  
01.1 Page 1042Y  
Nov 01/00

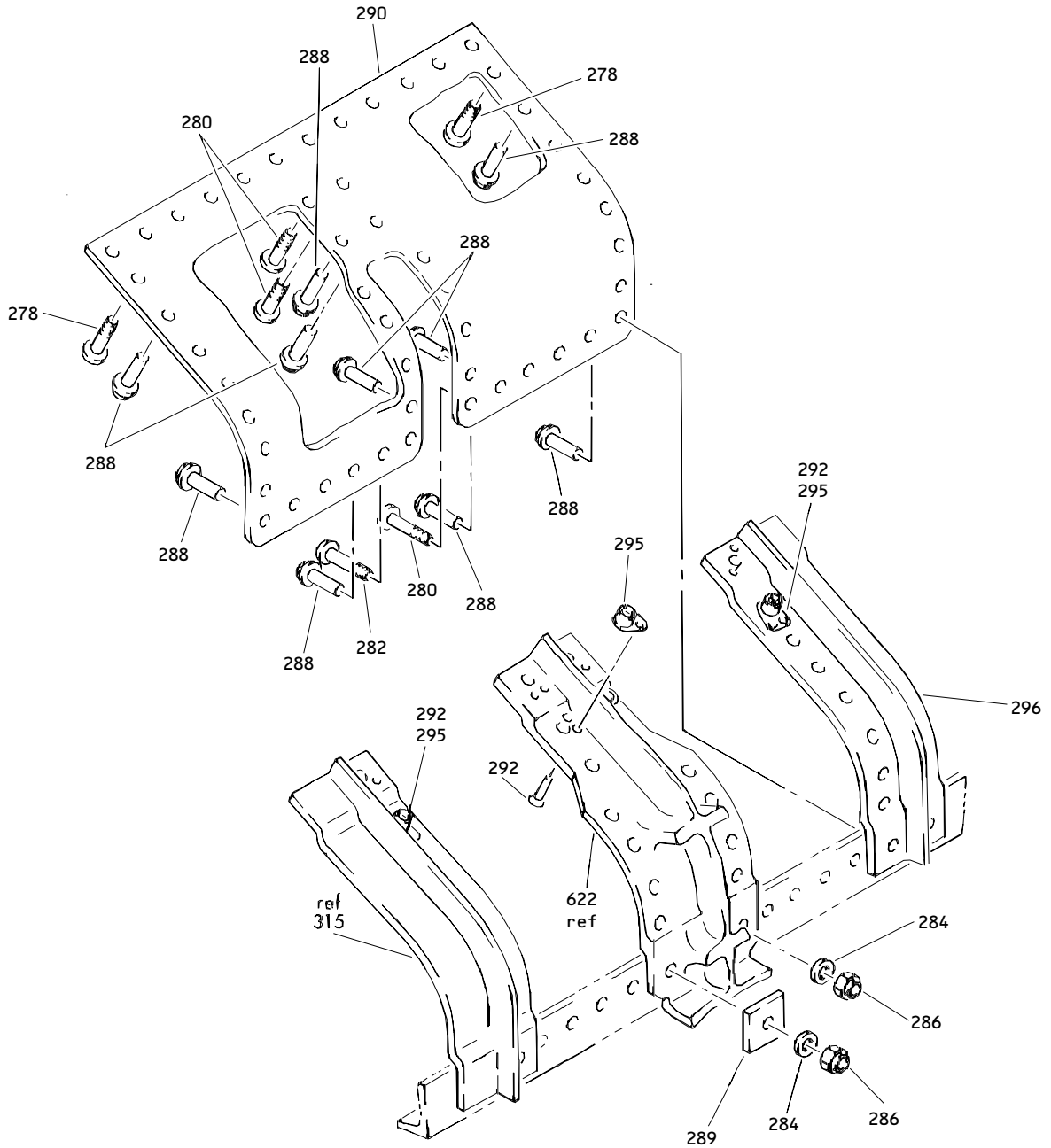


Outboard Slat No. 2 and No. 11 Wing Leading Edge Structure Assembly  
 Figure 2 (Sheet 16)

**57-43-45**

ILLUSTRATED PARTS LIST  
 01.1 Page 1042Z  
 Nov 01/00

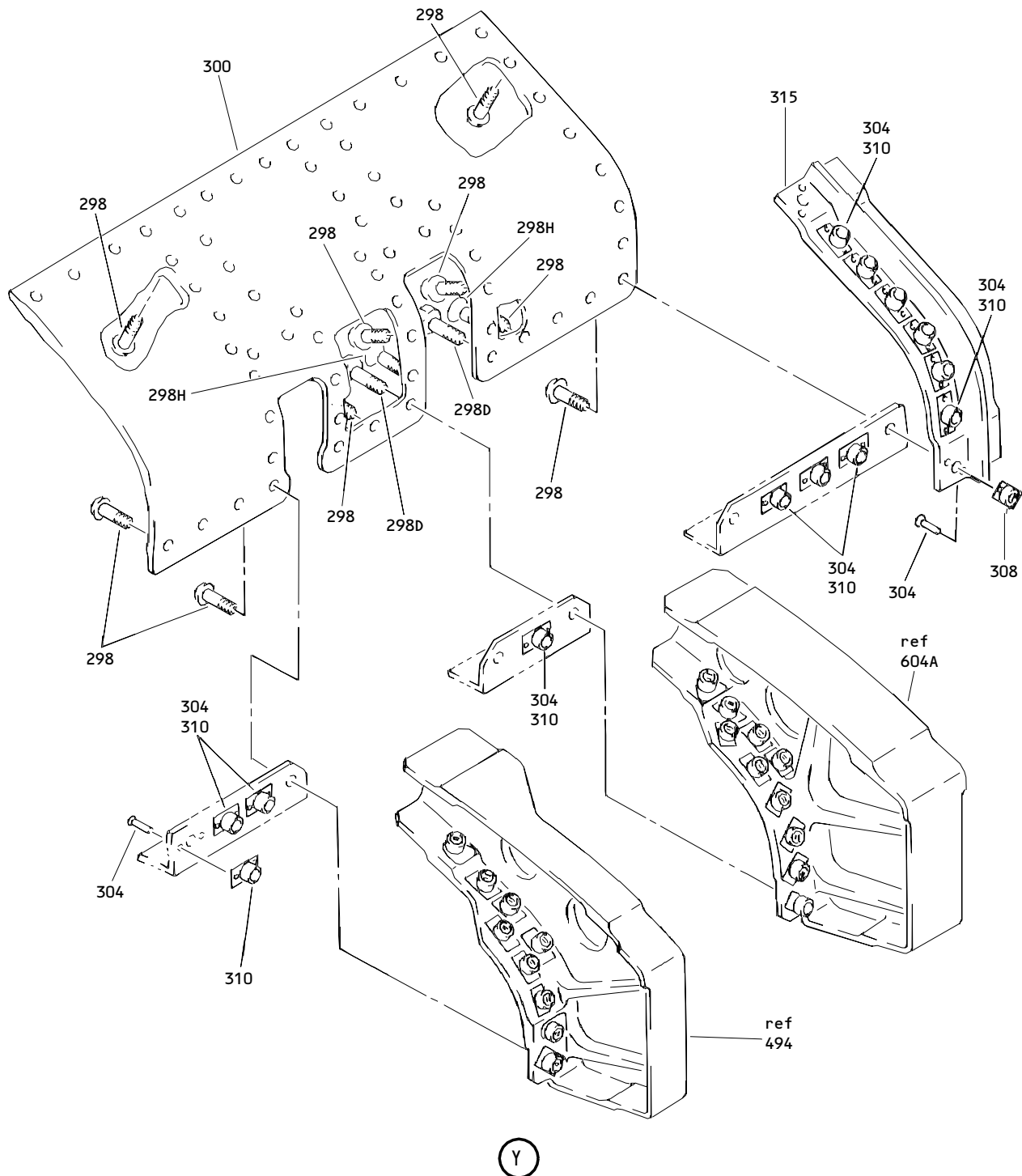
T77571



Outboard Slat No. 2 and No. 11 Wing Leading Edge Structure Assembly  
Figure 2 (Sheet 17)

**57-43-45**

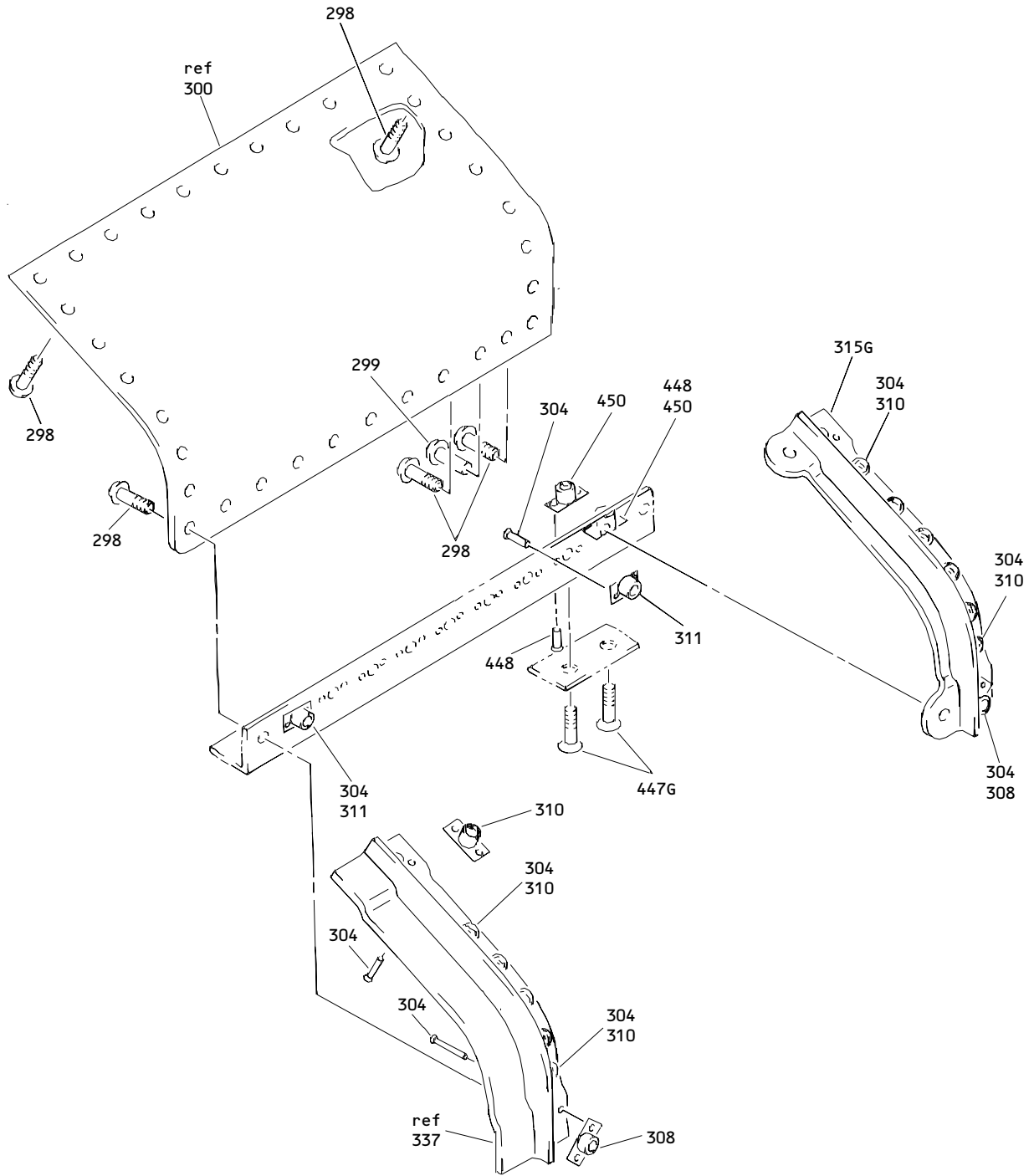
ILLUSTRATED PARTS LIST  
01.1 Page 1043  
Nov 01/00



Outboard Slat No. 2 and No. 11 Wing Leading Edge Structure Assembly  
 Figure 2 (Sheet 18)

**57-43-45**

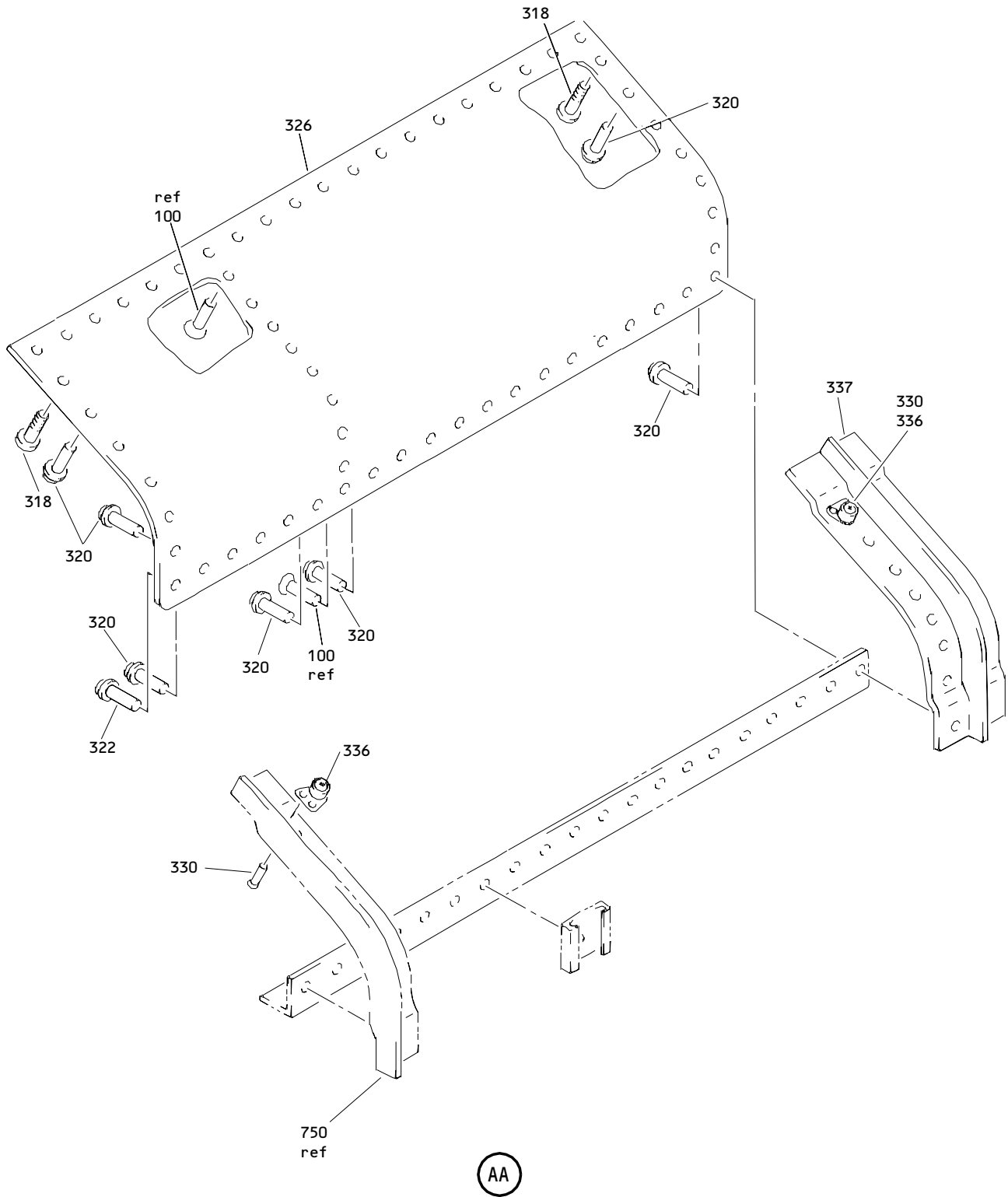
ILLUSTRATED PARTS LIST  
 01.1 Page 1044  
 Nov 01/00



Outboard Slat No. 2 and No. 11 Wing Leading Edge Structure Assembly  
Figure 2 (Sheet 19)

**57-43-45**

ILLUSTRATED PARTS LIST  
01.1 Page 1044A  
Nov 01/00



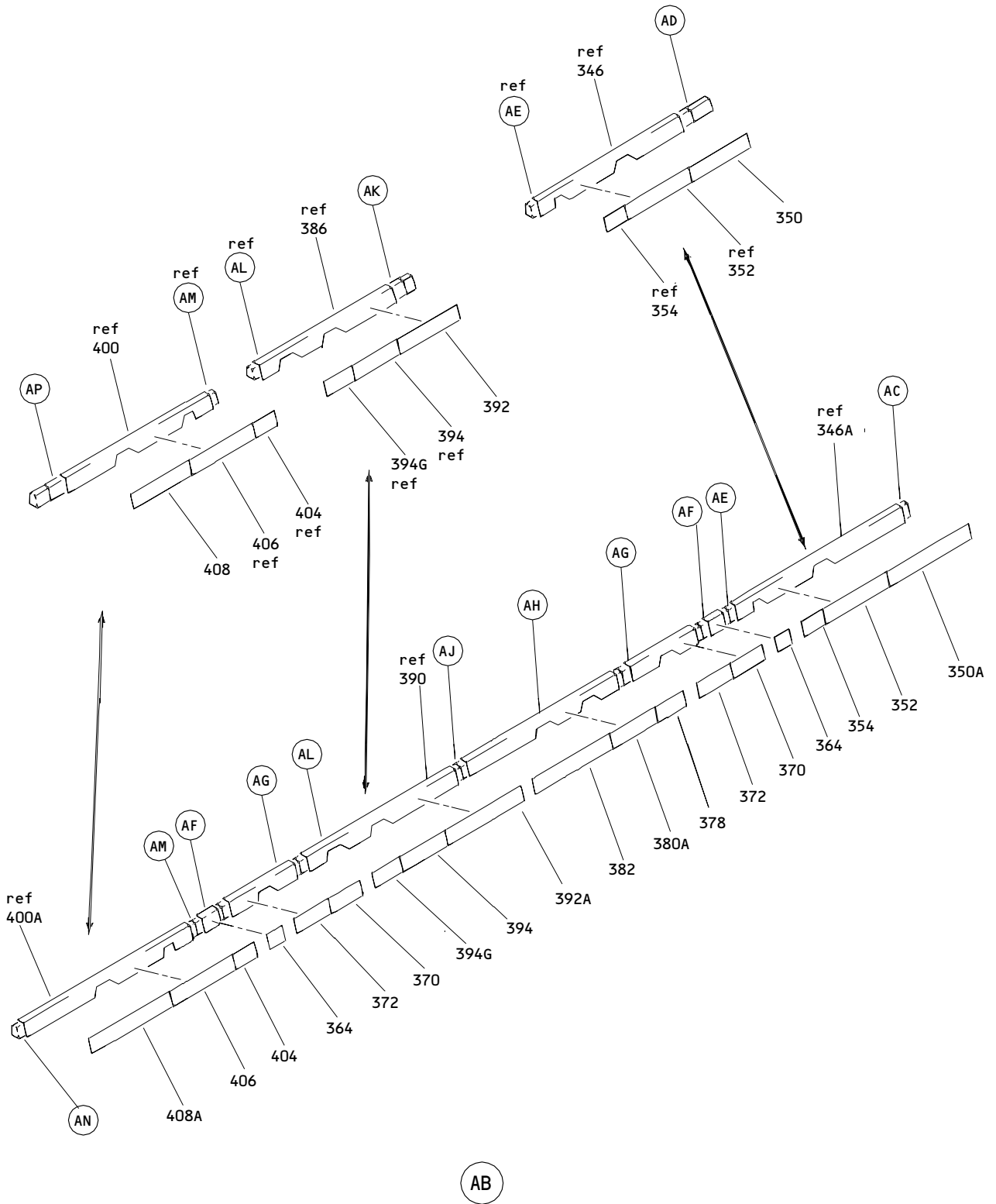
Outboard Slat No. 2 and No. 11 Wing Leading Edge Structure Assembly  
 Figure 2 (Sheet 20)

**57-43-45**

ILLUSTRATED PARTS LIST  
 01.1 Page 1044B  
 Nov 01/00

T77575

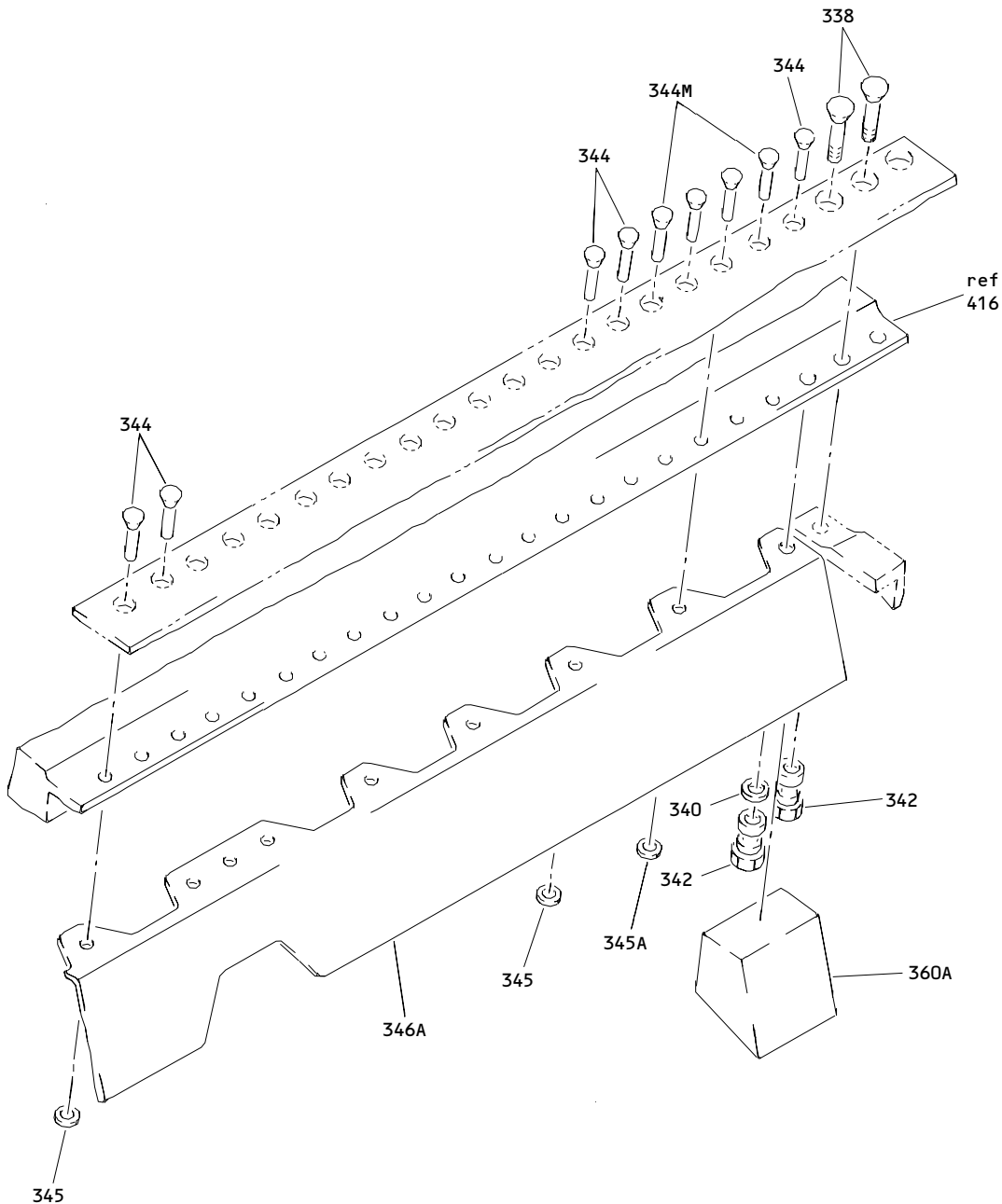




Outboard Slat No. 2 and No. 11 Wing Leading Edge Structure Assembly  
Figure 2 (Sheet 21)

**57-43-45**

ILLUSTRATED PARTS LIST  
01.1 Page 1044C  
Nov 01/00



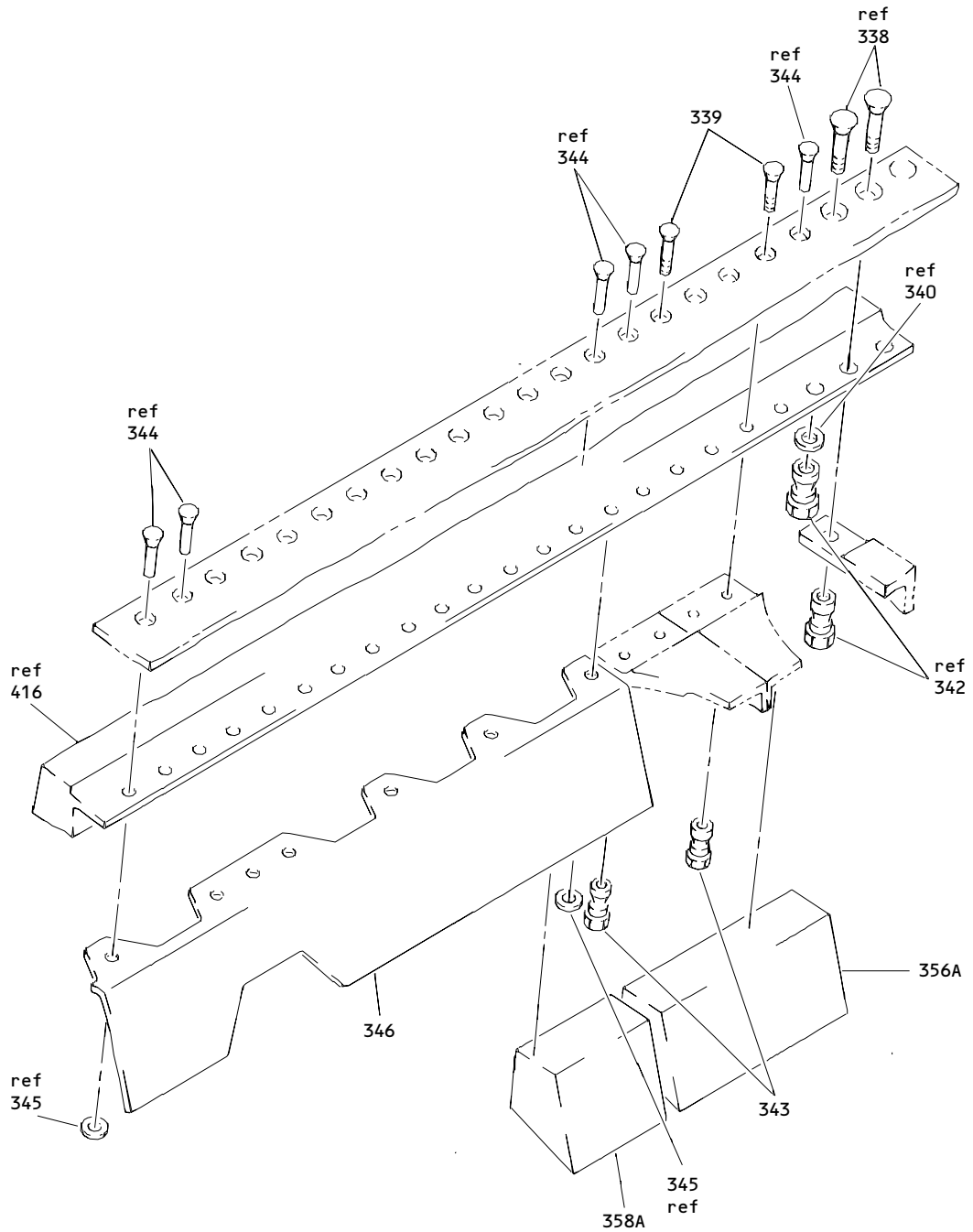
AC

Outboard Slat No. 2 and No. 11 Wing Leading Edge Structure Assembly  
 Figure 2 (Sheet 22)

**57-43-45**

ILLUSTRATED PARTS LIST  
 01.1 Page 1044D  
 Nov 01/00

TT7577

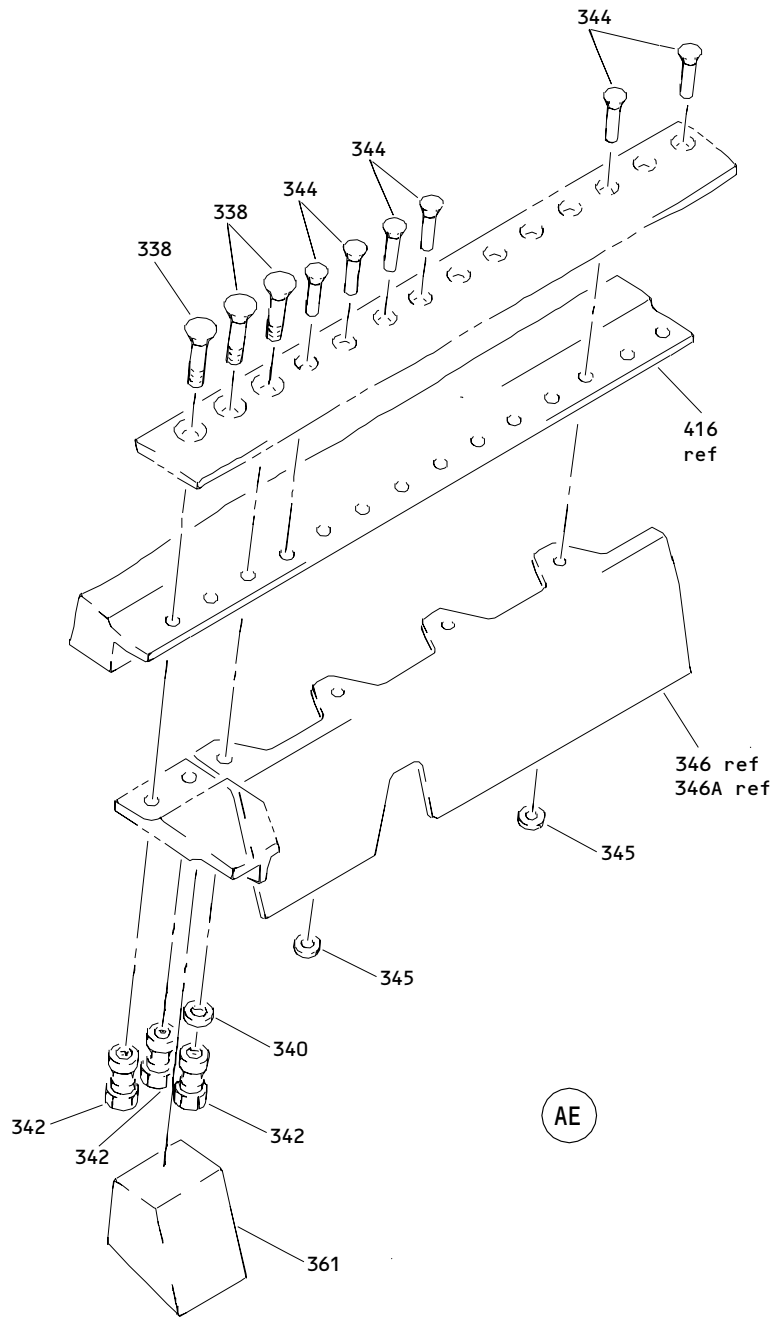


AD

Outboard Slat No. 2 and No. 11 Wing Leading Edge Structure Assembly  
Figure 2 (Sheet 23)

**57-43-45**

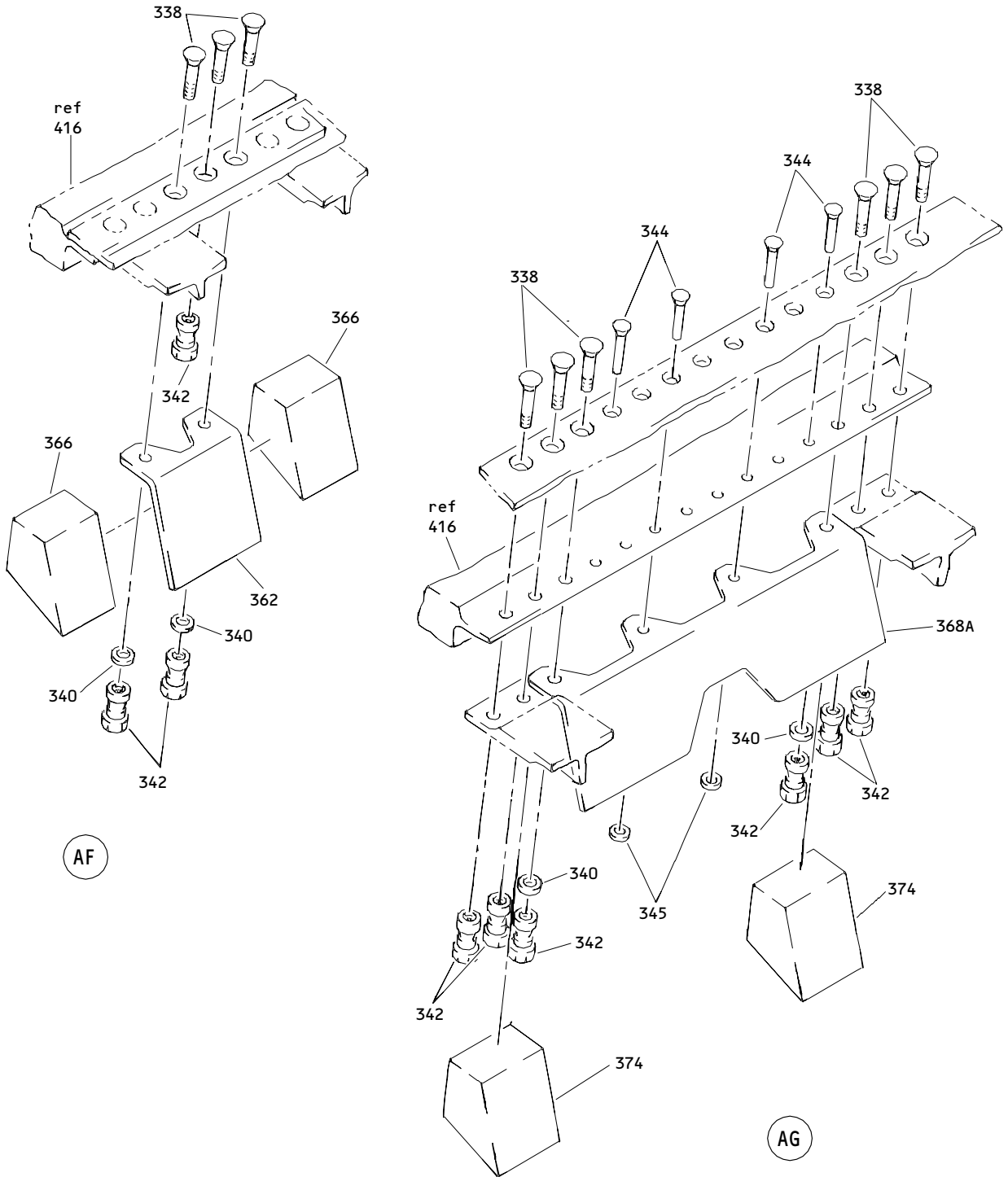
ILLUSTRATED PARTS LIST  
01.1 Page 1044E  
Nov 01/00



Outboard Slat No. 2 and No. 11 Wing Leading Edge Structure Assembly  
Figure 2 (Sheet 24)

**57-43-45**

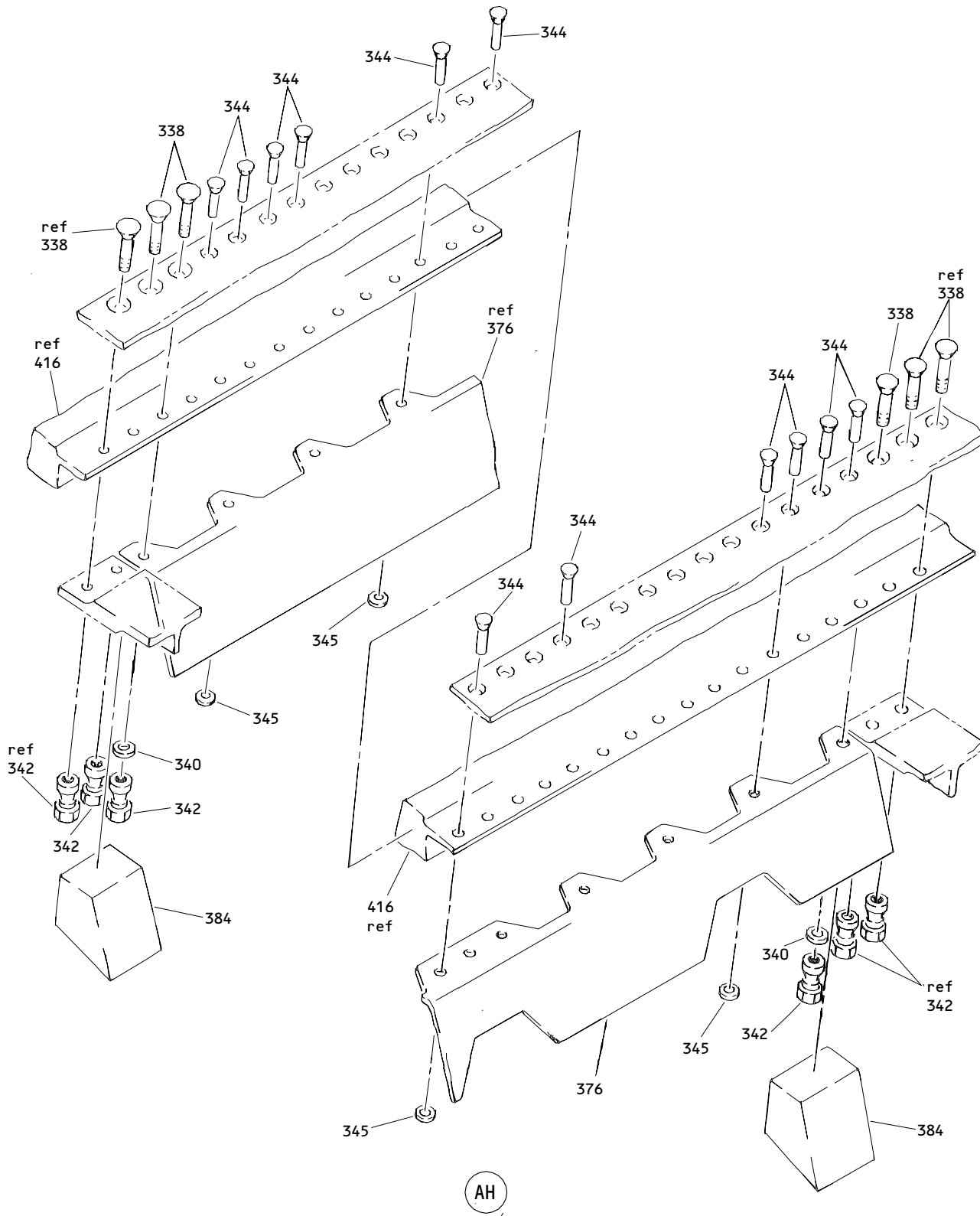
ILLUSTRATED PARTS LIST  
01.1 Page 1044F  
Nov 01/00



Outboard Slat No. 2 and No. 11 Wing Leading Edge Structure Assembly  
Figure 2 (Sheet 25)

**57-43-45**

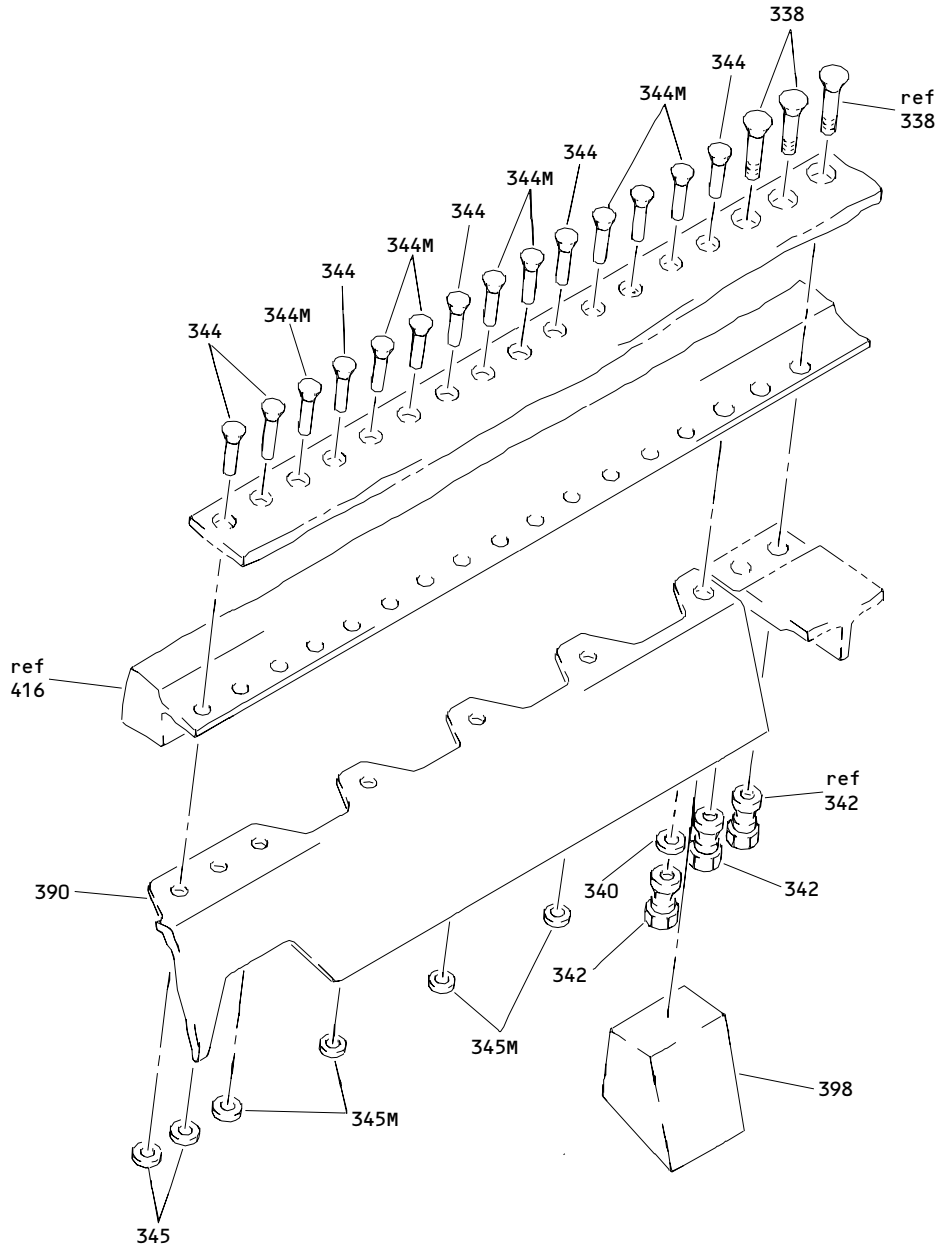
ILLUSTRATED PARTS LIST  
01.1 Page 1044G  
Nov 01/00



Outboard Slat No. 2 and No. 11 Wing Leading Edge Structure Assembly  
 Figure 2 (Sheet 26)

**57-43-45**

ILLUSTRATED PARTS LIST  
 01.1 Page 1044H  
 Nov 01/00

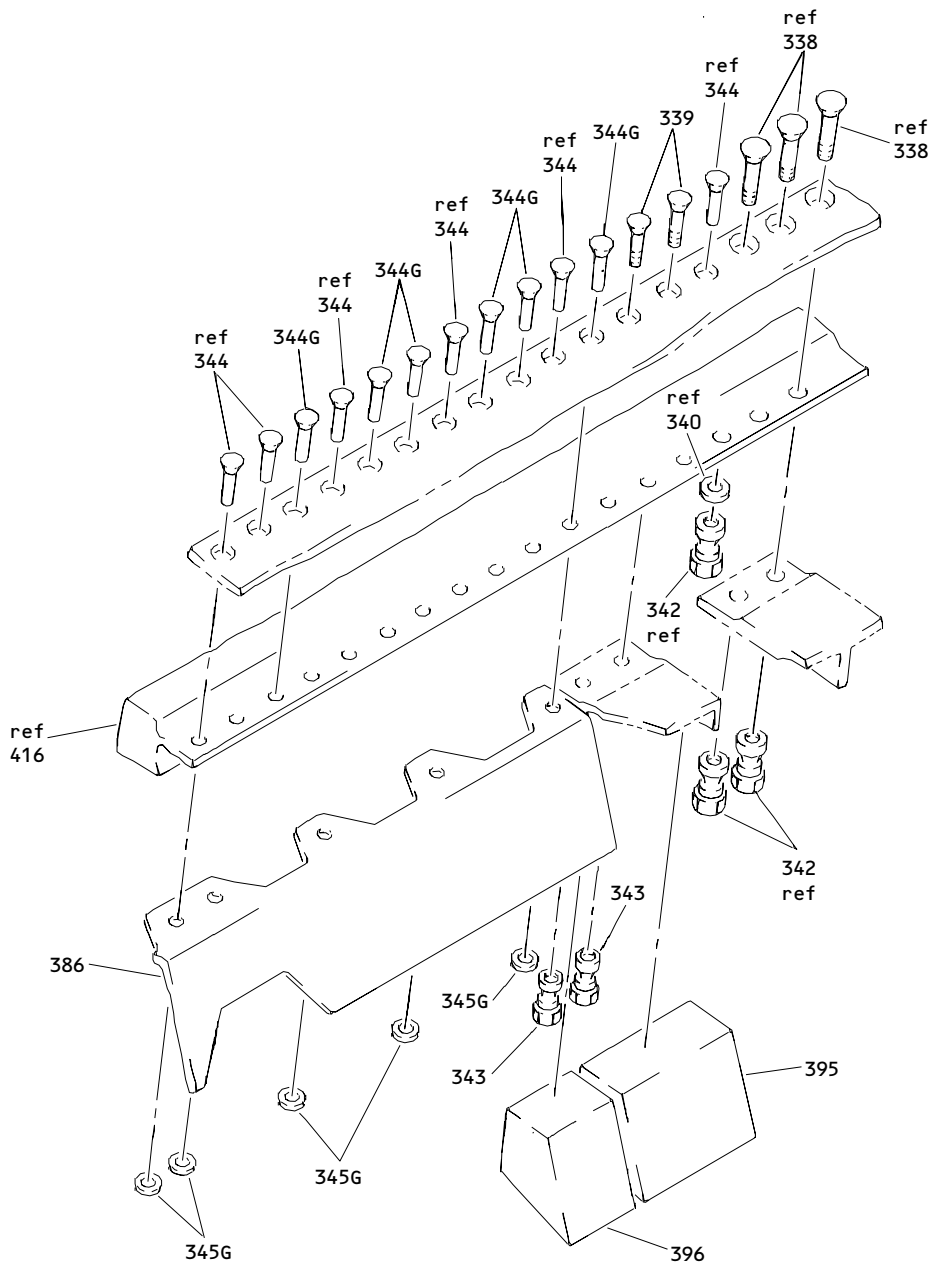


AJ

Outboard Slat No. 2 and No. 11 Wing Leading Edge Structure Assembly  
Figure 2 (Sheet 27)

**57-43-45**

ILLUSTRATED PARTS LIST  
01.1 Page 1044I  
Nov 01/00



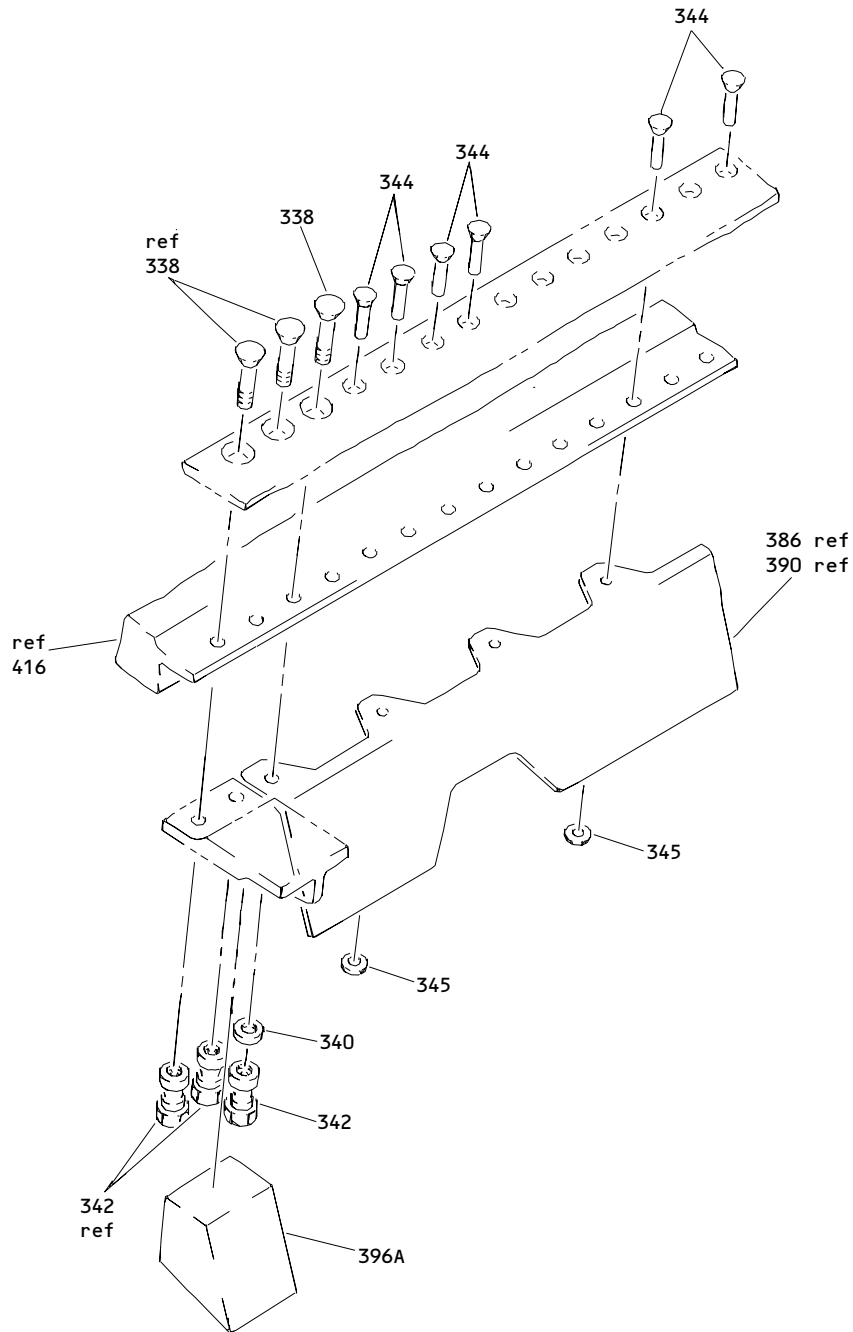
AK

Outboard Slat No. 2 and No. 11 Wing Leading Edge Structure Assembly  
 Figure 2 (Sheet 28)

**57-43-45**

ILLUSTRATED PARTS LIST  
 01.1 Page 1044J  
 Nov 01/00



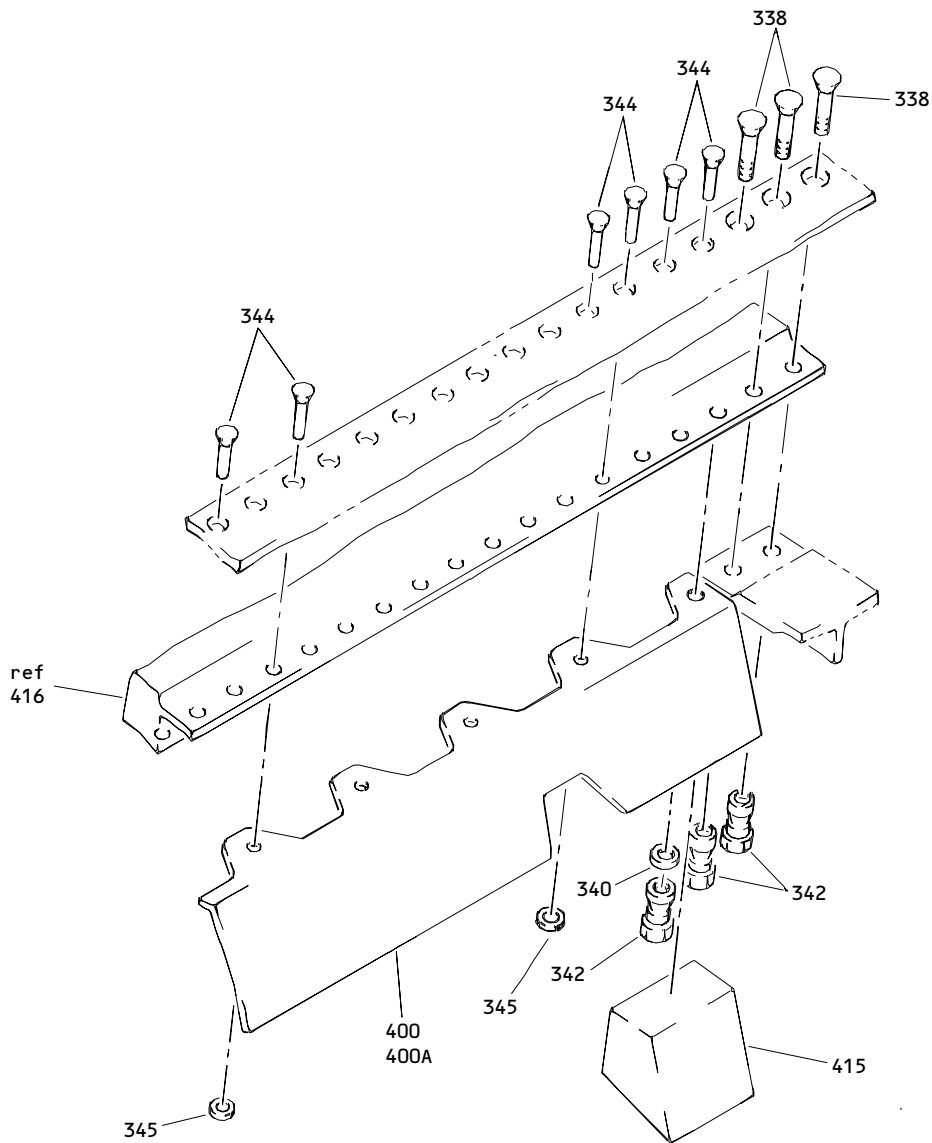


AL

Outboard Slat No. 2 and No. 11 Wing Leading Edge Structure Assembly  
Figure 2 (Sheet 29)

**57-43-45**

ILLUSTRATED PARTS LIST  
01.1 Page 1044K  
Nov 01/00

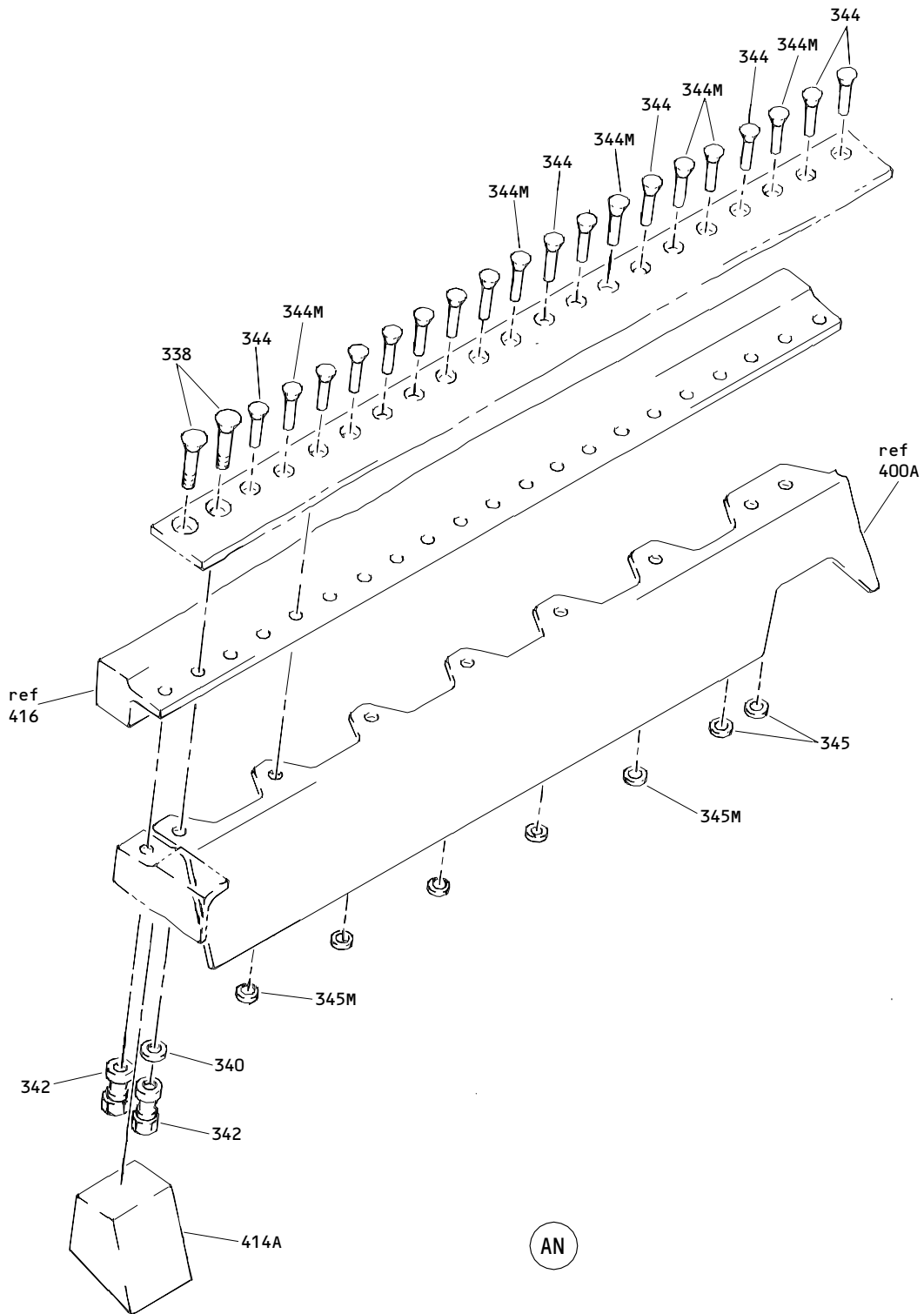


AM

Outboard Slat No. 2 and No. 11 Wing Leading Edge Structure Assembly  
Figure 2 (Sheet 30)

**57-43-45**

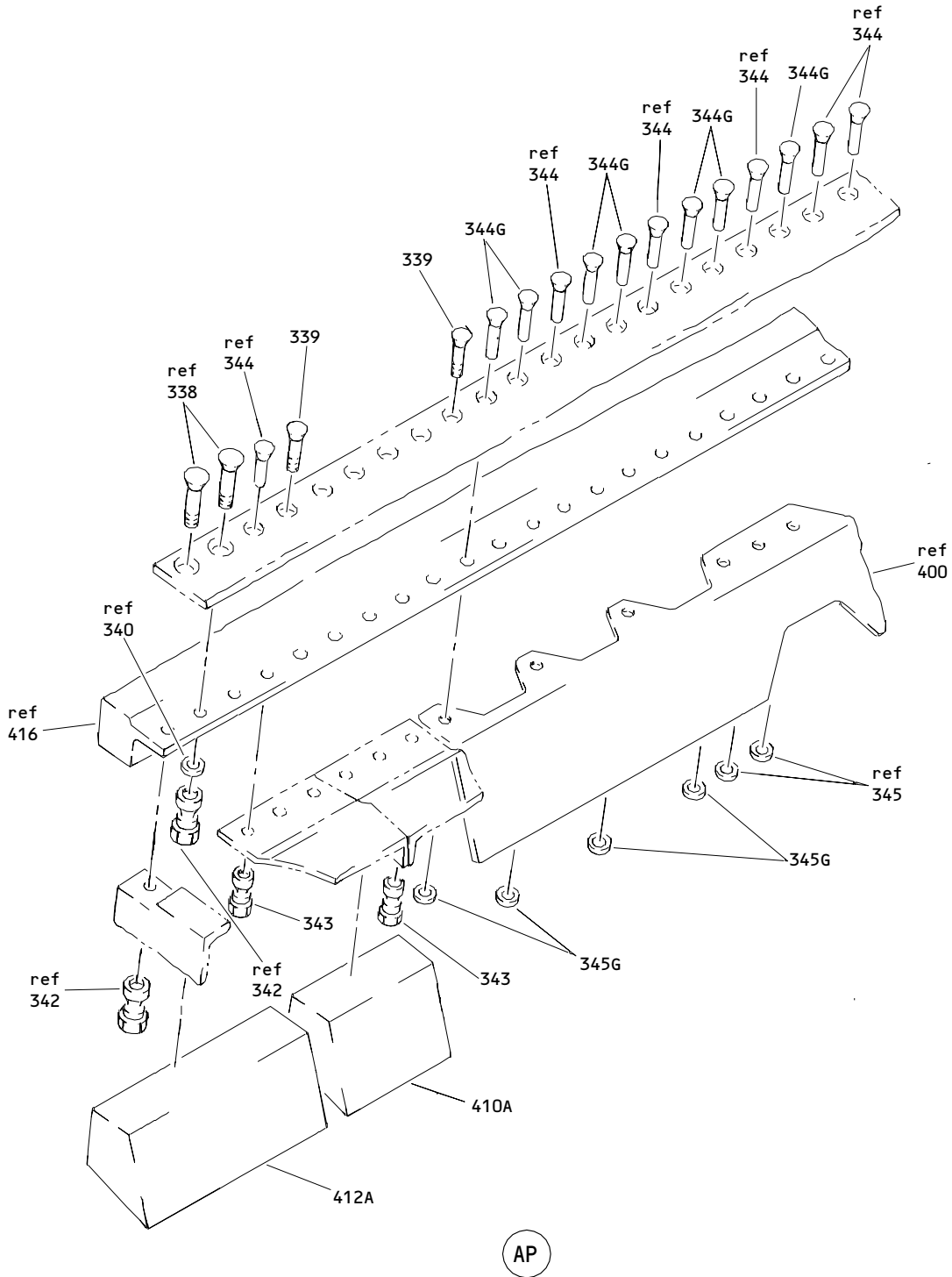
ILLUSTRATED PARTS LIST  
01.1 Page 1044L  
Nov 01/00



Outboard Slat No. 2 and No. 11 Wing Leading Edge Structure Assembly  
Figure 2 (Sheet 31)

**57-43-45**

ILLUSTRATED PARTS LIST  
01.1 Page 1044M  
Nov 01/00

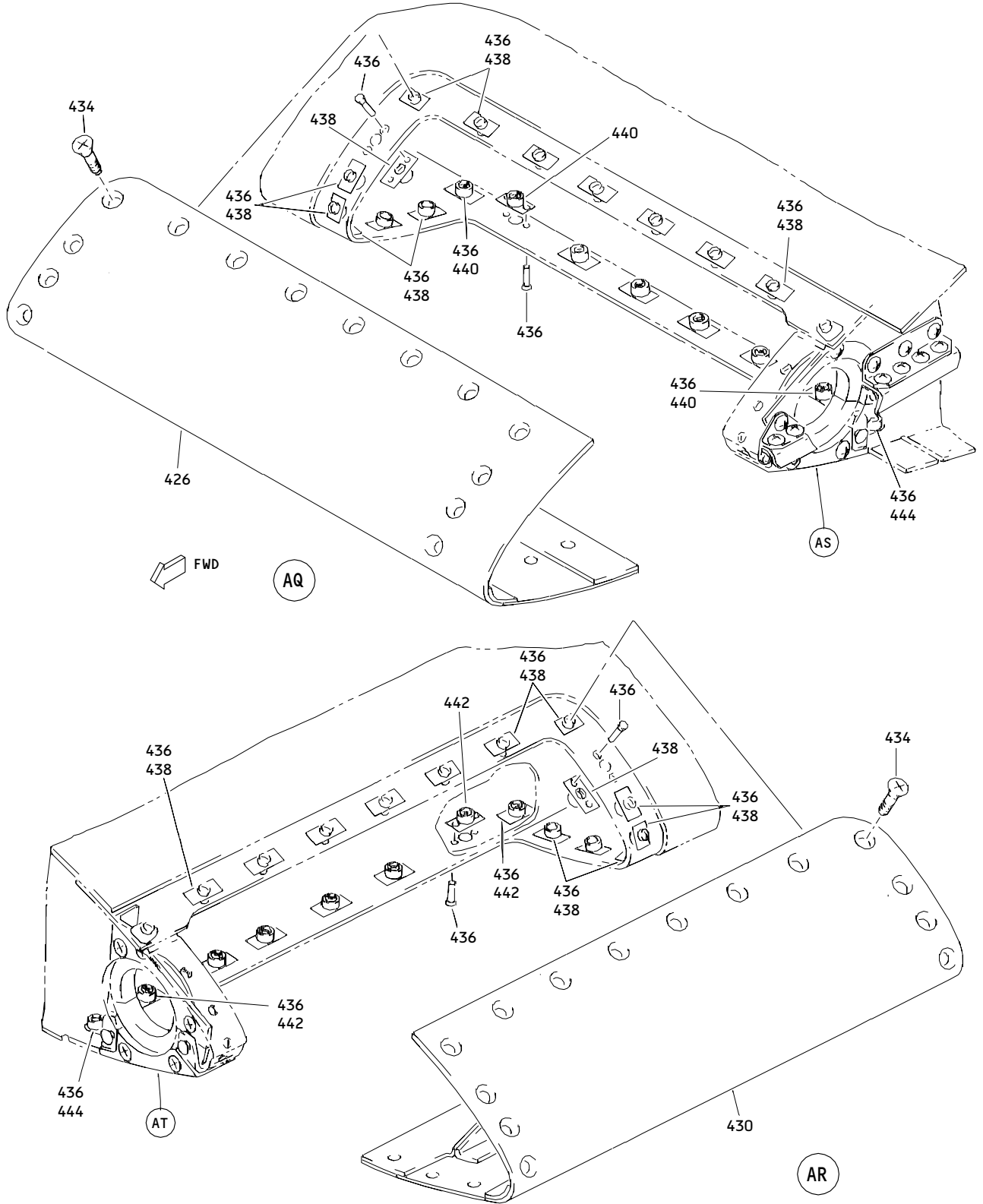


Outboard Slat No. 2 and No. 11 Wing Leading Edge Structure Assembly  
 Figure 2 (Sheet 32)

**57-43-45**

ILLUSTRATED PARTS LIST  
 01.1 Page 1044N  
 Nov 01/00

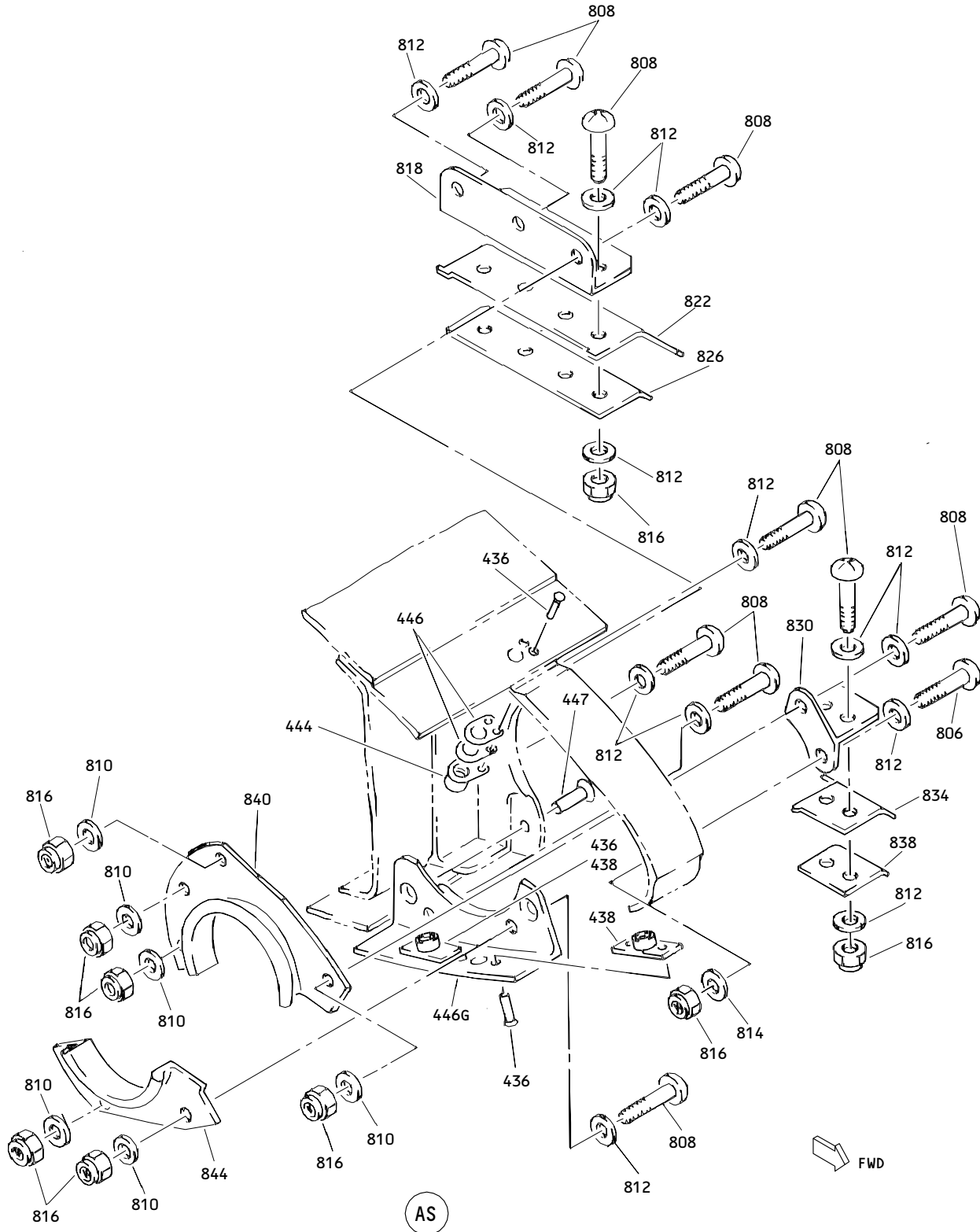
T77587



Outboard Slat No. 2 and No. 11 Wing Leading Edge Structure Assembly  
Figure 2 (Sheet 33)

**57-43-45**

ILLUSTRATED PARTS LIST  
01.1 Page 10440  
Nov 01/00

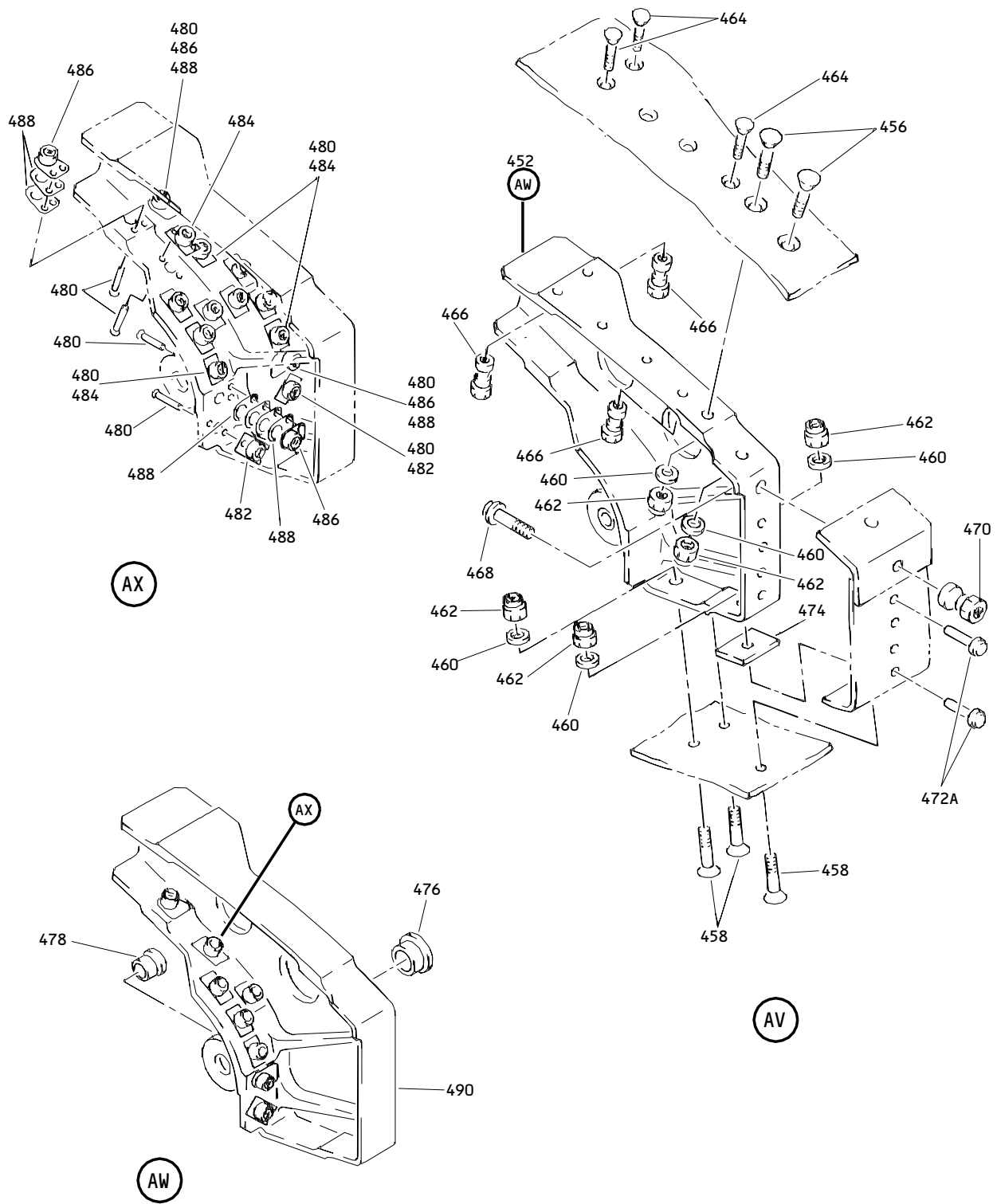


Outboard Slat No. 2 and No. 11 Wing Leading Edge Structure Assembly  
 Figure 2 (Sheet 34)

**57-43-45**

ILLUSTRATED PARTS LIST  
 01.1 Page 1044P  
 Nov 01/00



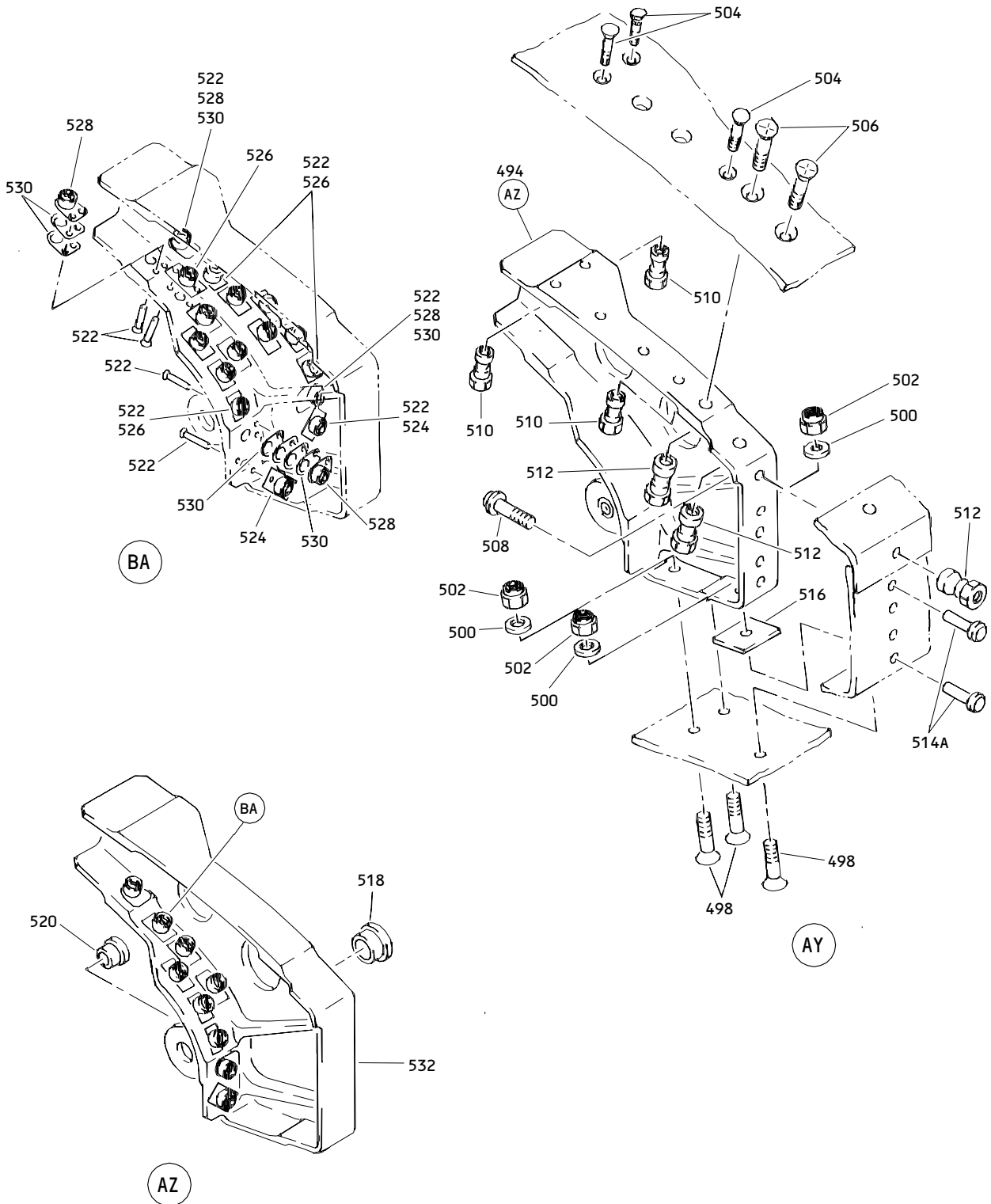


Outboard Slat No. 2 and No. 11 Wing Leading Edge Structure Assembly  
 Figure 2 (Sheet 36)

**57-43-45**

ILLUSTRATED PARTS LIST  
 01.1 Page 1044R  
 Nov 01/00

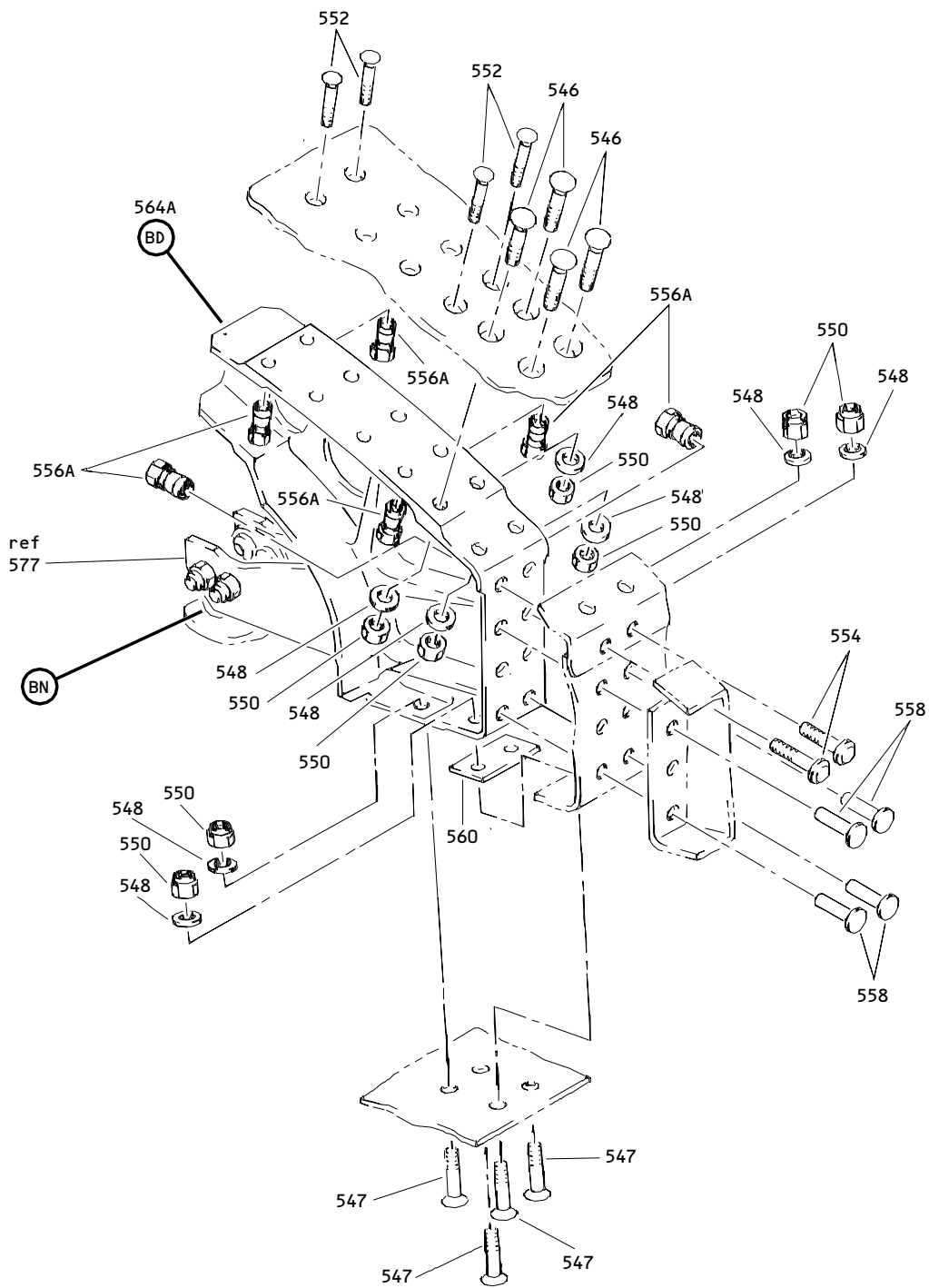




Outboard Slat No. 2 and No. 11 Wing Leading Edge Structure Assembly  
Figure 2 (Sheet 37)

**57-43-45**

ILLUSTRATED PARTS LIST  
01.1 Page 1044S  
Nov 01/00

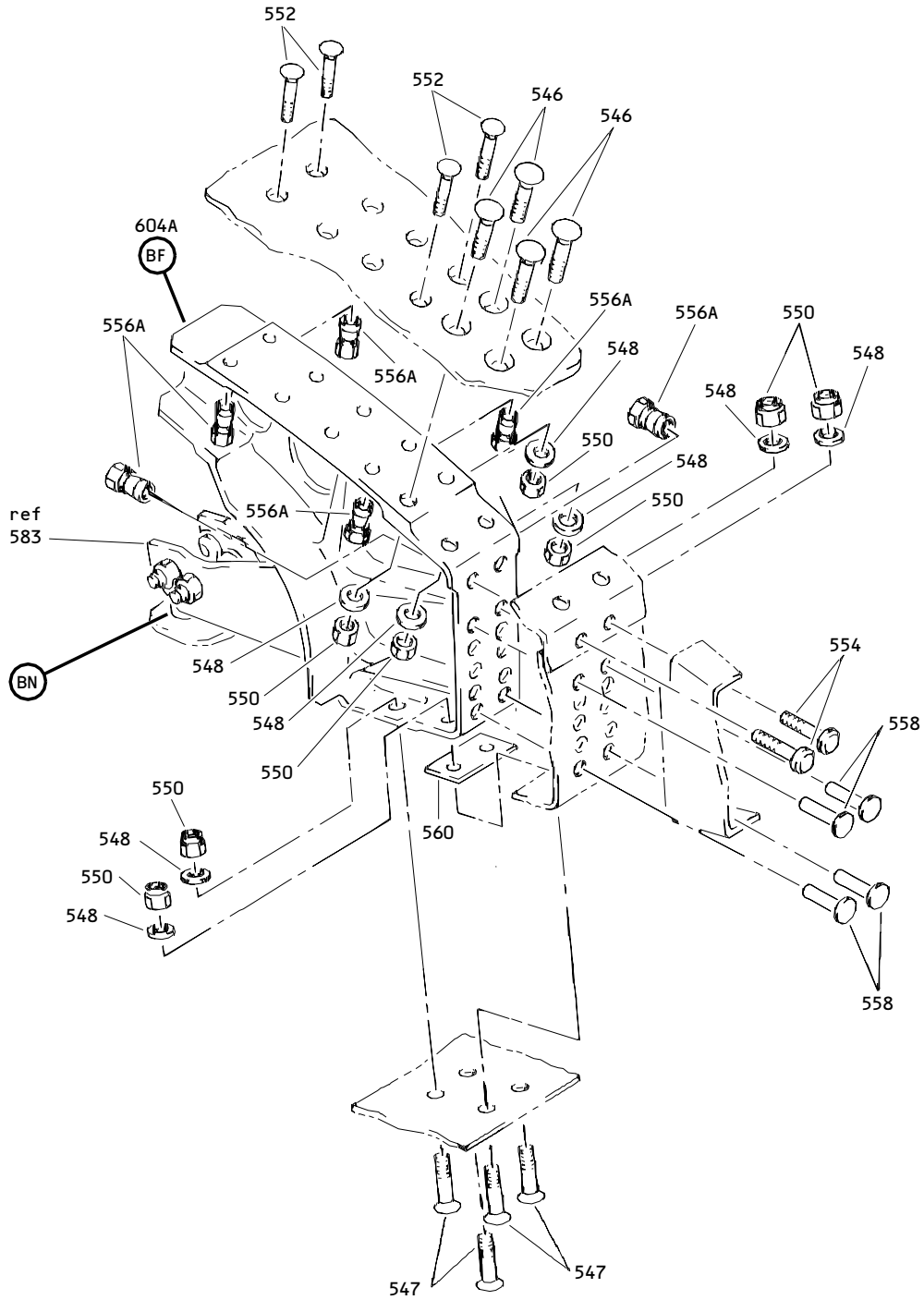


(BB)

Outboard Slat No. 2 and No. 11 Wing Leading Edge Structure Assembly  
Figure 2 (Sheet 38)

**57-43-45**

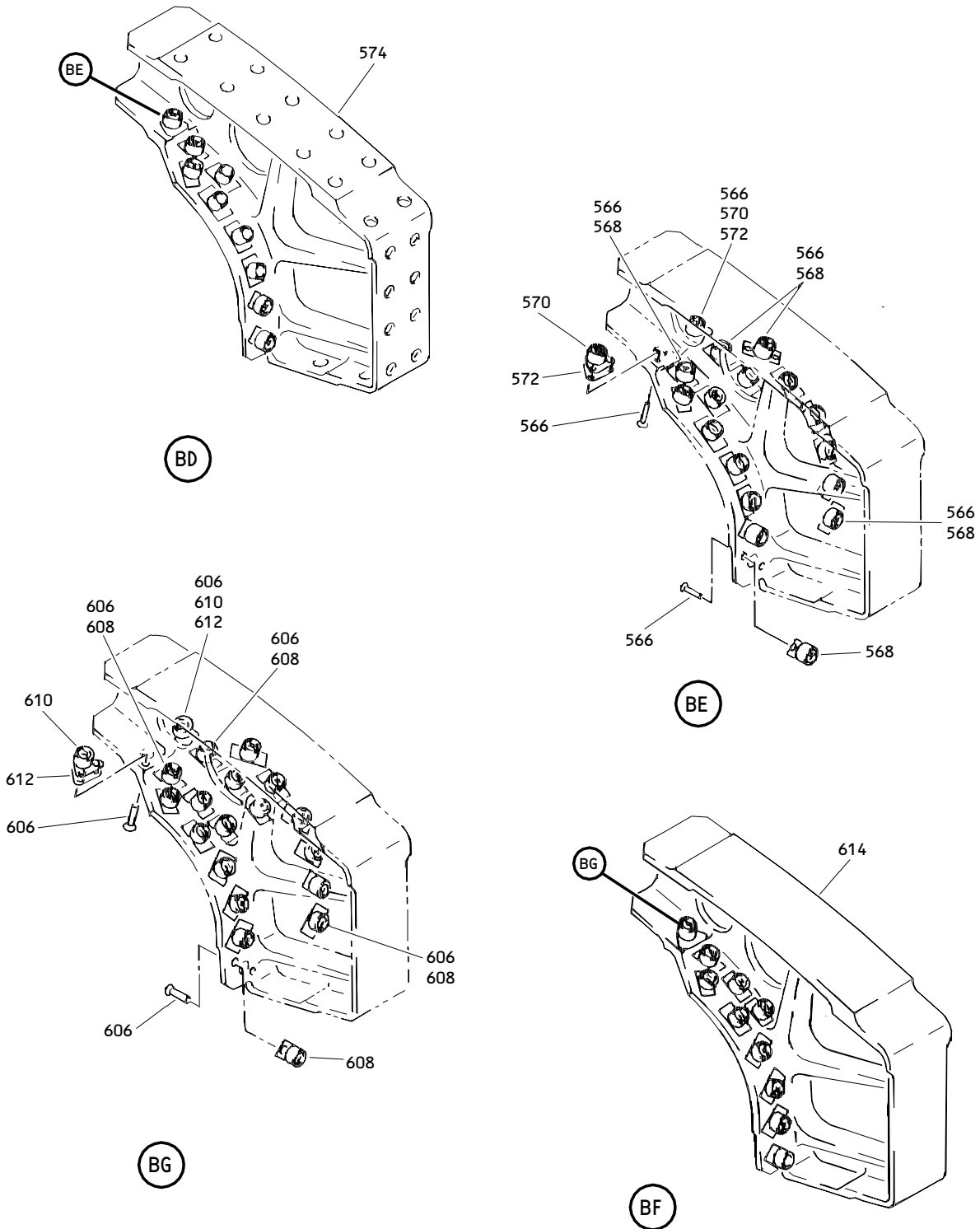
ILLUSTRATED PARTS LIST  
01.1 Page 1044T  
Nov 01/00



BC

Outboard Slat No. 2 and No. 11 Wing Leading Edge Structure Assembly  
Figure 2 (Sheet 39)

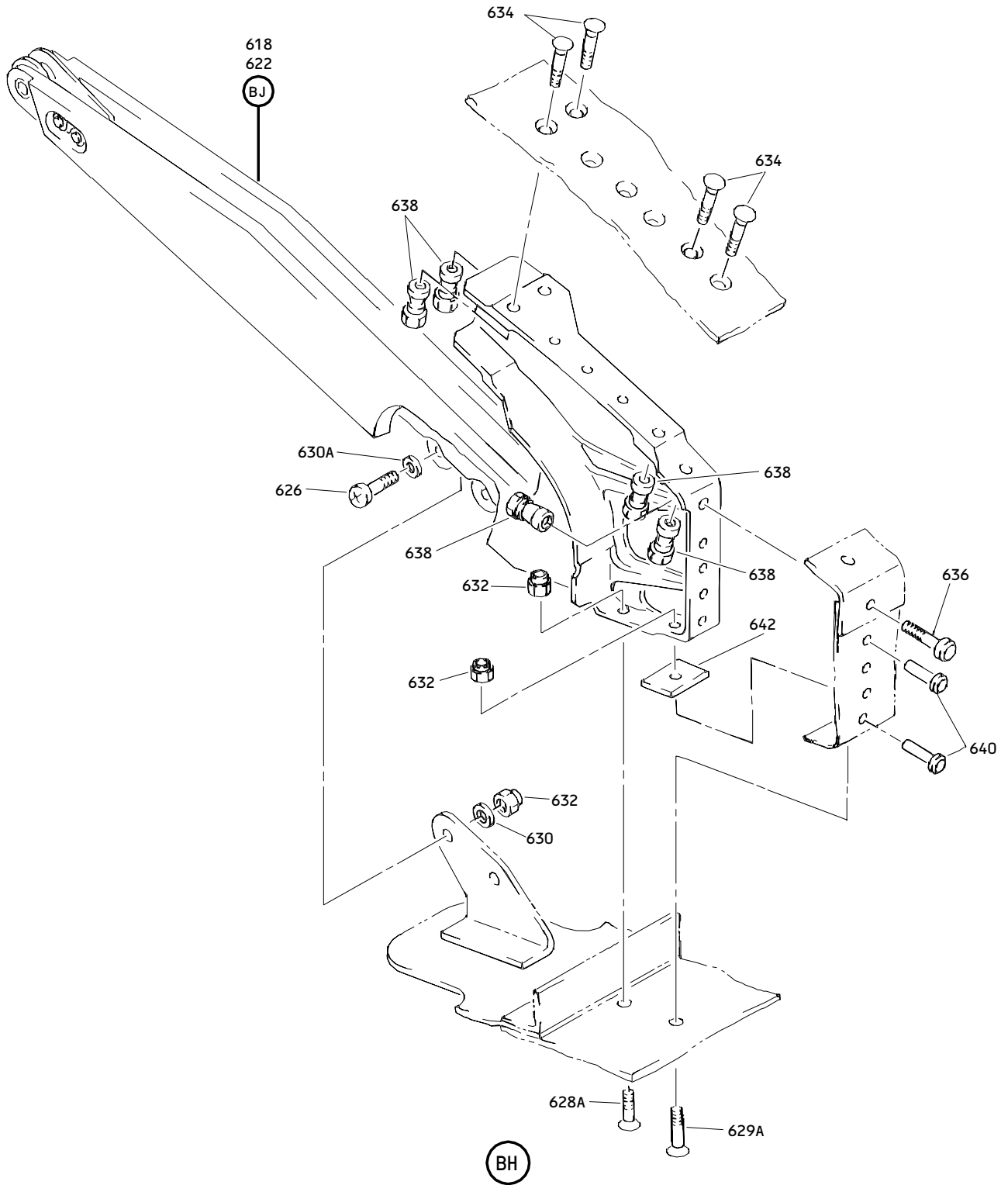
**57-43-45**



Outboard Slat No. 2 and No. 11 Wing Leading Edge Structure Assembly  
 Figure 2 (Sheet 40)

**57-43-45**

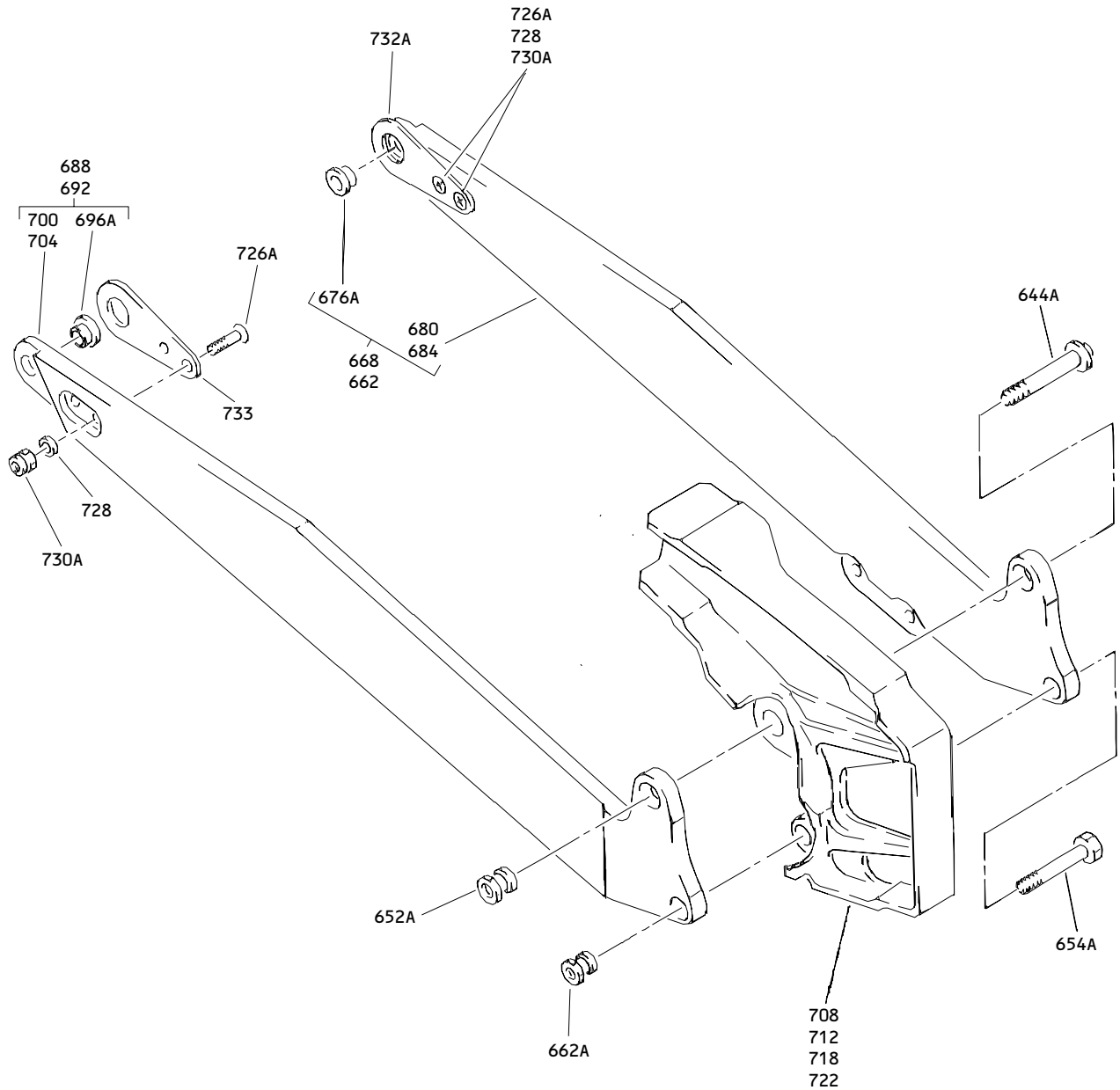
ILLUSTRATED PARTS LIST  
 01.1 Page 1044V  
 Nov 01/00



Outboard Slat No. 2 and No. 11 Wing Leading Edge Structure Assembly  
Figure 2 (Sheet 41)

**57-43-45**

ILLUSTRATED PARTS LIST  
01.1 Page 1044W  
Nov 01/00



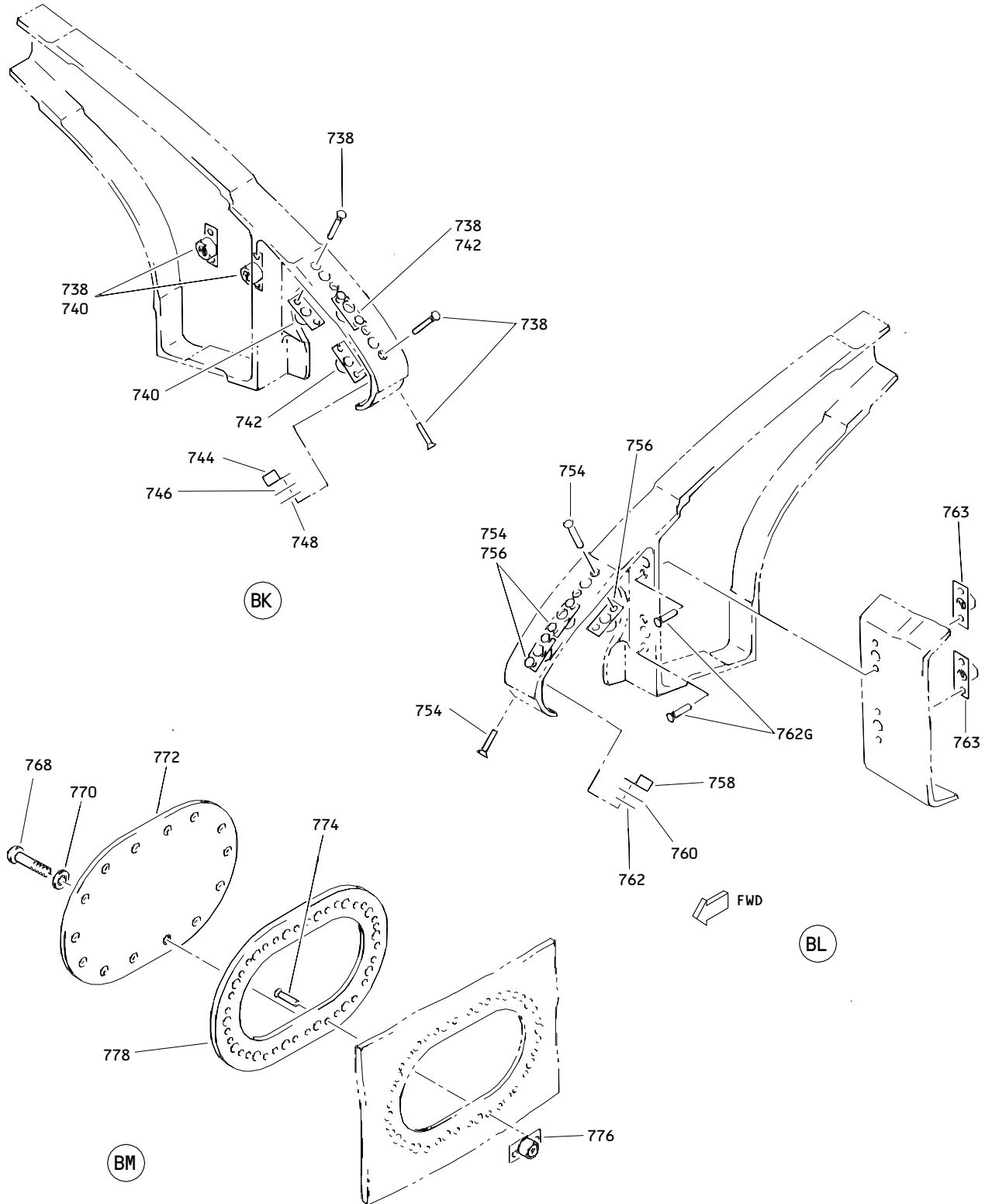
(BJ)

Outboard Slat No. 2 and No. 11 Wing Leading Edge Structure Assembly  
 Figure 2 (Sheet 42)

**57-43-45**

ILLUSTRATED PARTS LIST  
 01.1 Page 1044X  
 Nov 01/00

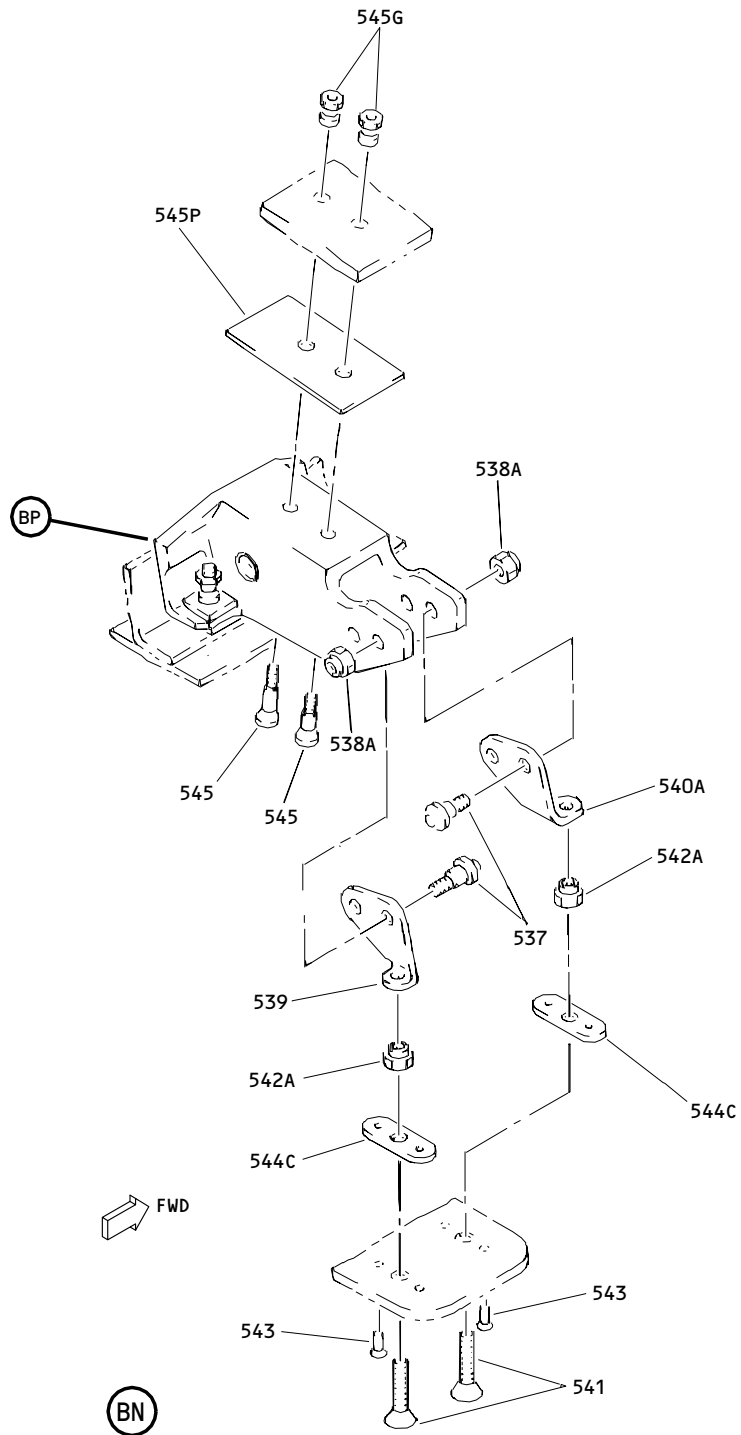
114844



Outboard Slat No. 2 and No. 11 Wing Leading Edge Structure Assembly  
 Figure 2 (Sheet 43)

**57-43-45**

ILLUSTRATED PARTS LIST  
 01.1 Page 1044Y  
 Nov 01/00

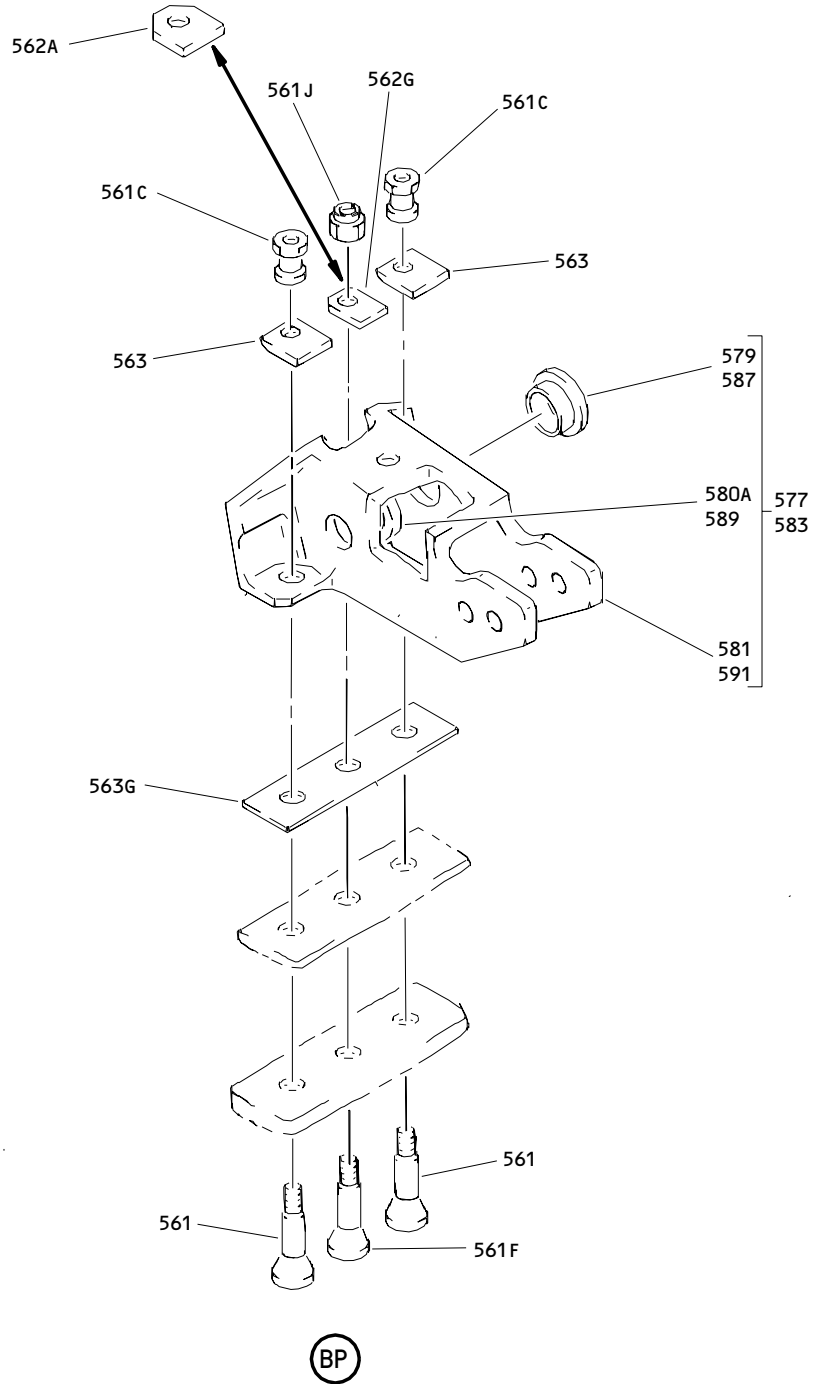


Outboard Slat No. 2 and No. 11 Wing Leading Edge Structure Assembly  
 Figure 2 (Sheet 44)

**57-43-45**

ILLUSTRATED PARTS LIST  
 01.1 Page 1044Z  
 Nov 01/00

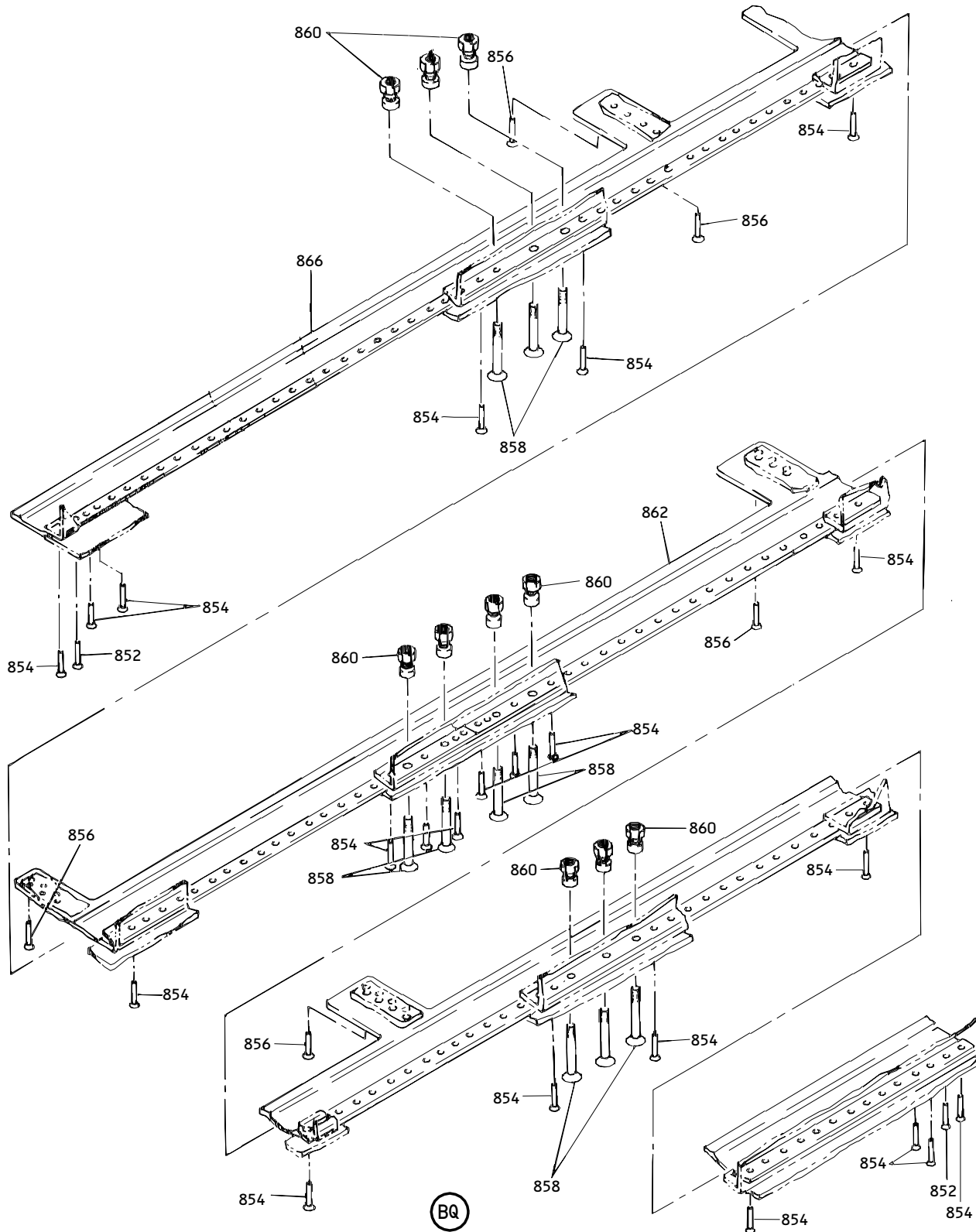




Outboard Slat No. 2 and No. 11 Leading Edge Structure Assembly  
Figure 2 (Sheet 45)

**57-43-45**

ILLUSTRATED PARTS LIST  
01.1 Page 1045  
Nov 01/00



Outboard Slat No. 2 and No. 11 Wing Leading Edge Structure Assembly  
 Figure 2 (Sheet 46)

**57-43-45**

ILLUSTRATED PARTS LIST  
 01.1 Page 1046  
 Nov 01/00

114T4102  
 015T0165  
 015T1507  
 DASH NUMBERS LIMITED

 **BOEING**  
 COMPONENT  
 MAINTENANCE MANUAL

FIG. & ITEM	PART NO.	AIRLINE PART NUMBER	NOMENCLATURE 1234567	EFF CODE	QTY PER ASSY
02- -1	114T4102-13SP		STRUCTURE ASSY-OUTBD SLAT NO.2 AND 11 WING LE (LH) (REWORK DWG 114T4182-1) (PRE SB 757-32-0095) (PRE SB 767-32-0107) (PRE SB 767-32-0095) (PRE SB 767-57A0057)	A	RF
-1A	015T1507-201		STRUCTURE ASSY-OUTBD SLAT NO.2 AND 11 WING LE (LH) (POST SB 767-57A0057)	AE	RF
-1B	015T1507-203		STRUCTURE ASSY-OUTBD SLAT NO.2 AND 11 WING LE (LH) (POST SB 767-57A0057)	AF	RF
-1C	015T1507-205		STRUCTURE ASSY-OUTBD SLAT NO.2 AND 11 WING LE (LH) (POST SB 767-57A0057)	AG	RF
-1D	015T1507-235		STRUCTURE ASSY-OUTBD SLAT NO.2 AND 11 WING LE (LH) (POST SB 767-57A0057)	AH	RF
-1E	015T1507-237		STRUCTURE ASSY-OUTBD SLAT NO.2 AND 11 WING LE (LH) (POST SB 767-57A0057)	AJ	RF
-1F	015T1507-239		STRUCTURE ASSY-OUTBD SLAT NO.2 AND 11 WING LE (LH) (POST SB 767-57A0057)	AK	RF
-5	114T4102-14SP		STRUCTURE ASSY-OUTBD SLAT NO.2 AND 11 WING LE (RH) (REWORK DWG 114T4182-2) (PRE SB 757-32-0095) (PRE SB 767-32-0107) (PRE SB 767-32-0095) (PRE SB 767-57A0057)	M	RF
-5A	015T1507-202		STRUCTURE ASSY-OUTBD SLAT NO.2 AND 11 WING LE (RH) (POST SB 767-57A0057)	AL	RF
-5B	015T1507-204		STRUCTURE ASSY-OUTBD SLAT NO.2 AND 11 WING LE (RH) (POST SB 767-57A0057)	AM	RF
-5C	015T1507-206		STRUCTURE ASSY-OUTBD SLAT NO.2 AND 11 WING LE (RH) (POST SB 767-57A0057)	AN	RF

**57-43-45**

ILLUSTRATED PARTS LIST  
 01.1 Page 1046A  
 Nov 01/00

FIG. & ITEM	PART NO.	AIRLINE PART NUMBER	NOMENCLATURE 1234567	EFF CODE	QTY PER ASSY
02- -5D	015T1507-236		STRUCTURE ASSY-OUTBD SLAT NO.2 AND 11 WING LE (RH) (POST SB 767-57A0057)	AP	RF
-5E	015T1507-238		STRUCTURE ASSY-OUTBD SLAT NO.2 AND 11 WING LE (RH) (POST SB 767-57A0057)	AQ	RF
-5F	015T1507-240		STRUCTURE ASSY-OUTBD SLAT NO.2 AND 11 WING LE (RH) (POST SB 767-57A0057)	AR	RF
-6	114T4102-5001		.STRUCTURE ASSY	A,A E-AK	1
-6B	114T4102-5003		.STRUCTURE ASSY	A,A E-AK	1
-6D	114T4102-5005		.STRUCTURE ASSY	A,A E-AK	1
-8	114T4102-5002		.STRUCTURE ASSY	M,A L-AR	1
-8B	114T4102-5004		.STRUCTURE ASSY	M,A L-AR	1
-8D	114T4102-5006		.STRUCTURE ASSY	M,A L-AR	1
10	BACB30NT3K7		..BOLT	A,M,A E-AR	54
12	AN960PD10L		..WASHER	A,M,A E-AR	54
14	AN960PD10		..WASHER	A,M,A E-AR	1
16	H10-3BAC		..NUT- (V15653) (SPEC BACN10JC3) (OPT NS202101-02 (V80539)) (OPT RMLH9075-3W (V72962)) (OPT T6S1032J (V71087)) (OPT VN303A02 (V92215)) (OPT 96-02 (V80539)) (OPT BRH10A3 (V52828))	A,M,A E-AR	1

# 57-43-45

 ILLUSTRATED PARTS LIST  
 01.1 Page 1046B  
 Nov 01/00

114T4102  
 015T0165  
 015T1507  
 DASH NUMBERS LIMITED

 **BOEING**  
 COMPONENT  
 MAINTENANCE MANUAL

FIG. & ITEM	PART NO.	AIRLINE PART NUMBER	NOMENCLATURE 1234567	EFF CODE	QTY PER ASSY
02-18	114T4233-7		..RETAINER	A,A E-AK	1
-20	114T4233-8		..RETAINER	M,A L-AR	1
22	114T4233-9		..RETAINER	A,A E-AK	1
-24	114T4233-10		..RETAINER	M,A L-AR	1
26	114T4233-11		..RETAINER	A,A E-AK	1
-28	114T4233-12		..RETAINER	M,A L-AR	1
30	114T4232-7		..SEAL-BULB (MFD FROM EXTR RUBBER F25.01 10-60754-319 44.50 IN.)	A,A E-AK	1
-32	114T4232-8		..SEAL-BULB (MFD FROM EXTR RUBBER F25.01 10-60754-319 44.50 IN.)	M,A L-AR	1
34	114T4232-9		..SEAL-BULB (MFD FROM EXTR RUBBER F25.01 10-60754-319 64.00 IN.)	A,A E-AK	1
-36	114T4232-10		..SEAL-BULB (MFD FROM EXTR RUBBER F25.01 10-60754-319 64.00 IN.)	M,A L-AR	1
38	114T4232-11		..SEAL-BULB (MFD FROM EXTR RUBBER F25.01 10-60754-319 44.00 IN.)	A,A E-AK	1

**57-43-45**

ILLUSTRATED PARTS LIST  
 01.1 Page 1046C  
 Nov 01/00

FIG. & ITEM	PART NO.	AIRLINE PART NUMBER	NOMENCLATURE 1234567	EFF CODE	QTY PER ASSY
02-40	114T4232-12		..SEAL-BULB (MFD FROM EXTR RUBBER F25.01 10-60754-319 44.00 IN.)	M,A L-AR	1
42	BACR15BA3AD		..RIVET- (SIZE DETERMINE ON INST)	A,M,A E-AR	108
44	BACN10JQ32		..NUTPLATE	A,M,A E-AR	50
46	BACN10JQ33		..NUTPLATE	A,M,A E-AR	2
48	NS103225-02		..NUTPLATE- (V80539) (SPEC BACN10KH3) (OPT RMF9209M3 (V72962)) (OPT RMF9209M3 (V72962))	A,M,A E-AR	2
50	BACB30NN3K4		..BOLT	A,M,A E-AR	1
52	BACB30NT3K4		..BOLT	A,M,A E-AR	4
54	BACB30NT3K3		..BOLT	A,M,A E-AR	1
56	AN960PD10		..WASHER	A,M,A E-AR	9
57	AN960PD10L		..WASHER	A,M,A E-AR	2
58	H10-3BAC		..NUT- (V15653) (SPEC BACN10JC3) (OPT NS202101-02 (V80539)) (OPT RMLH9075-3W (V72962)) (OPT T6S1032J (V71087)) (OPT VN303A02 (V92215)) (OPT 96-02 (V80539)) (OPT BRH10A3 (V52828))	A,M,A E-AR	6

# 57-43-45

 ILLUSTRATED PARTS LIST  
 01.1 Page 1046D  
 Nov 01/00

114T4102  
 015T0165  
 015T1507  
 DASH NUMBERS LIMITED

 **BOEING**  
 COMPONENT  
 MAINTENANCE MANUAL

FIG. & ITEM	PART NO.	AIRLINE PART NUMBER	NOMENCLATURE 1234567	EFF CODE	QTY PER ASSY
02-60	114T4235-1		..RETAINER	A,M,A E-AR	1
62	114T4234-7		..SEAL-BULB (MFD FROM EXTR RUBBER F25.01 10-60754-15 8.80 IN.)	A,A E-AK	1
-64	114T4234-8		..SEAL-BULB (MFD FROM EXTR RUBBER F25.01 10-60754-15 8.80 IN.)	M,A L-AR	1
66	114T4233-31		..RETAINER	A,M,A E-AR	1
68	114T4234-11		..SEAL-BULB (MFD FROM EXTR RUBBER F25.01 10-60754-15 1.50 IN.)	A,A E-AK	1
-70	114T4234-12		..SEAL-BULB (MFD FROM EXTR RUBBER F25.01 10-60754-15 1.50 IN.)	M,A L-AR	1
72	BACB30NN3K5		..BOLT	A,M,A E-AR	1
74	BACB30NN3K4		..BOLT	A,M,A E-AR	13
76	AN960PD10		..WASHER	A,M,A E-AR	14
78	H10-3BAC		..NUT- (V15653) (SPEC BACN10JC3) (OPT NS202101-02 (V80539)) (OPT RMLH9075-3W (V72962)) (OPT T6S1032J (V71087)) (OPT VN303A02 (V92215)) (OPT 96-02 (V80539)) (OPT BRH10A3 (V52828))	A,M,A E-AR	14

**57-43-45**

ILLUSTRATED PARTS LIST  
 01.1 Page 1046E  
 Nov 01/00

FIG. & ITEM	PART NO.	AIRLINE PART NUMBER	NOMENCLATURE 1234567	EFF CODE	QTY PER ASSY
02-80	114T4231-1		..RETAINER	A,M,A E-AR	1
82	114T4230-1		..SEAL- (MFD FROM SH RUBBER BMS1-50 TYPE II GRADE 60 F25.01 0.094 IN. 1.25 IN. 7.90 IN.)	A,M,A E-AR	1
84	114T4231-5		..RETAINER	A,M,A E-AR	1
86	114T4230-5		..SEAL- (MFD FROM SH RUBBER BMS1-50 TYPE II GRADE 60 F25.01 0.094 IN. 1.25 IN. 6.60 IN.)	A,M,A E-AR	1
88	114T4231-9		..RETAINER	A,M,A E-AR	1
90	114T4230-9		..SEAL- (MFD FROM SH RUBBER BMS1-50 TYPE II GRADE 60 F25.01 0.094 IN. 1.25 IN. 3.45 IN.)	A,M,A E-AR	1
92	114T4231-13		..RETAINER	A,M,A E-AR	1
94	114T4230-13		..SEAL- (MFD FROM SH RUBBER BMS1-50 TYPE II GRADE 60 F25.01 0.094 IN. 1.25 IN. 3.45 IN.)	A,M,A E-AR	1
96	114T4224-2		..SEAL-BULB	A,M,A E-AR	1
98	114T4224-3		..SEAL-BULB	A,M,A E-AR	1
100	BACR15CE5KE		..RIVET- (SIZE DETERMINE ON INST)	A,M,A E-AR	17

# 57-43-45

 ILLUSTRATED PARTS LIST  
 01.1 Page 1046F  
 Nov 01/00



114T4102  
 015T0165  
 015T1507  
 DASH NUMBERS LIMITED

 **BOEING**  
 COMPONENT  
 MAINTENANCE MANUAL

FIG. & ITEM	PART NO.	AIRLINE PART NUMBER	NOMENCLATURE 1234567	EFF CODE	QTY PER ASSY
02-102	114T4225-3		..RETAINER	A,M,A E-AR	1
104	114T4225-4		..RETAINER	A,M,A E-AR	1
106	114T4236-2		..SEAL- (MFD FROM SH SPONGE RUBBER BMS1-23 20.50 IN. 1.00 IN. 2.00 IN.)	A,M,A E-AR	1
108	114T4236-3		..SEAL- (MFD FROM SH SPONGE RUBBER BMS1-23 20.60 IN. 1.00 IN. 2.60 IN.)	A,M,A E-AR	1
110	BACB30NN3K6		..BOLT	A,M,A E-AR	2
112	AN960PD10L		..WASHER	A,M,A E-AR	2
114	NAS43DD3-10		DELETED		
116	H10-3BAC		..NUT- (V15653) (SPEC BACN10JC3) (OPT NS202101-02 (V80539)) (OPT RMLH9075-3W (V72962)) (OPT T6S1032J (V71087)) (OPT VN303A02 (V92215)) (OPT 96-02 (V80539)) (OPT BRH10A3 (V52828))	A,M,A E-AR	2
118	114T4235-8		..RETAINER	A,M,A E-AR	1
120	114T4237-7		..SEAL	A,A E-AK	1
-121	114T4237-8		..SEAL	M,A L-AR	1
122	114T4226-2		..SEAL	A,M,A E-AR	2

57-43-45

ILLUSTRATED PARTS LIST  
 01.1 Page 1046G  
 Nov 01/00

FIG. & ITEM	PART NO.	AIRLINE PART NUMBER	NOMENCLATURE 1234567	EFF CODE	QTY PER ASSY
02-124	114T4231-23		..RETAINER- (REPLD BY ITEM 124A)	A,A E-AK	1
124A	114T4242-5		..RETAINER- (REPLS ITEM 124)	A,A E-AK	1
-126	114T4231-24		..RETAINER- (REPLD BY ITEM 126A)	M,A L-AR	1
-126A	114T4242-6		..RETAINER- (REPLS ITEM 126)	M,A L-AR	1
128	114T4231-25		..RETAINER- (REPLD BY ITEM 128A)	A,A E-AK	1
128A	114T4242-7		..RETAINER- (REPLS ITEM 128)	A,A E-AK	1
-130	114T4231-26		..RETAINER- (REPLD BY ITEM 130A)	M,A L-AR	1
-130A	114T4242-8		..RETAINER- (REPLS ITEM 130)	M,A L-AR	1
132	BACB30NU3K5		..BOLT	A,M,A E-AR	11
134	BACB30NT3K4		..BOLT	A,M,A E-AR	1
136	BACB30NT3K5		..BOLT	A,M,A E-AR	1
138	BACR15FT5AD		..RIVET- (SIZE DETERMINE ON INST)	A,M,A E-AR	26
140	BACR15FT6AD		..RIVET- (SIZE DETERMINE ON INST)	A,M,A E-AR	1
142	BACF3F008E147NN		..FILLER- (REPLD BY ITEM 142A)	A,M,A E-AR	1
142A	BACF3F009E178NN		..FILLER- (REPLS ITEM 142)	A,M,A E-AR	1

# 57-43-45

 ILLUSTRATED PARTS LIST  
 01.1 Page 1046H  
 Nov 01/00

114T4102  
 015T0165  
 015T1507  
 DASH NUMBERS LIMITED

 **BOEING**  
 COMPONENT  
 MAINTENANCE MANUAL

FIG. & ITEM	PART NO.	AIRLINE PART NUMBER	NOMENCLATURE 1234567	EFF CODE	QTY PER ASSY
02-144	114T4262-1		..PANEL-COVE	A,A E-AK	1
-146	114T4262-2		..PANEL-COVE	M,A L-AR	1
148	BACR15BA3AD		..RIVET- (SIZE DETERMINE ON INST)	A,M,A E-AR	26
150	BACN10JQ33		..NUTPLATE	A,M,A E-AR	11
152	NS103225-02		..NUTPLATE- (V80539) (SPEC BACN10KH3) (OPT RMF9209M3 (V72962)) (OPT RMF9209M3 (V72962))	A,M,A E-AR	2
154	BACB30NN3K6		..BOLT	A,M,A E-AR	17
156	BACB30NT3K7		..BOLT	A,M,A E-AR	63
156D	BACB30NM3K10		..BOLT- (REWORK DWG 114T4182-1, 114T4182-2)	A,M,A E-AR	2
156H	BACB30NN3K9		..BOLT- (REWORK DWG 114T4182-1, 114T4182-2)	A,M,A E-AR	2
157	BACR15CE5KE		..RIVET- (SIZE DETERMINE ON INST)	A,M,A E-AR	2

**57-43-45**

ILLUSTRATED PARTS LIST  
 01.1 Page 1046I  
 Nov 01/00

FIG. & ITEM	PART NO.	AIRLINE PART NUMBER	NOMENCLATURE 1234567	EFF CODE	QTY PER ASSY
02-158	114T4262-3		..PANEL-COVE	A,A E-AK	1
-160	114T4262-4		..PANEL-COVE	M,A L-AR	1
162	BACR15BA3AD		..RIVET- (SIZE DETERMINE ON INST)	A,M,A E-AR	100
164	BACN10JQ33		..NUTPLATE	A,M,A E-AR	3
166	BACN10JQ34		..NUTPLATE	A,M,A E-AR	13
168	BACN10JQ35		..NUTPLATE	A,M,A E-AR	22
170	BACN10JQ36		..NUTPLATE	A,M,A E-AR	8
172	NS103225-02		..NUTPLATE- (V80539) (SPEC BACN10KH3) (OPT RMF9209M3 (V72962)) (OPT RMF9209M3 (V72962))	A,M,A E-AR	4
174	NAS1195DD3KH		..SHIM	A,M,A E-AR	2
175	114T4110-17		..STIFFENER	A,M,A E-AR	1
175G	114T4110-19		..STIFFENER	A,M,A E-AR	1
176	BACB30NU3K5		..BOLT	A,M,A E-AR	9
178	BACB30NT3K3		..BOLT	A,M,A E-AR	2
180	BACB30NT3K5		..BOLT	A,M,A E-AR	3
182	BACB30NT3K6		..BOLT	A,M,A E-AR	1
184	AN960PD10		..WASHER	A,M,A E-AR	2

# 57-43-45

 ILLUSTRATED PARTS LIST  
 01.1 Page 1046J  
 Nov 01/00

FIG. & ITEM	PART NO.	AIRLINE PART NUMBER	NOMENCLATURE 1234567	EFF CODE	QTY PER ASSY
02-186	H10-3BAC		..NUT- (V15653) (SPEC BACN10JC3) (OPT NS202101-02 (V80539)) (OPT RMLH9075-3W (V72962)) (OPT T6S1032J (V71087)) (OPT VN303A02 (V92215)) (OPT 96-02 (V80539)) (OPT BRH10A3 (V52828))	A,M,A E-AR	2
188	BACR15FT6AD		..RIVET- (SIZE DETERMINE ON INST)	A,M,A E-AR	32
190	114T4102-11		..FILLER	A,M,A E-AR	1
192	114T4262-5		..PANEL-COVE	A,A E-AK	1
-194	114T4262-6		..PANEL-COVE	M,A L-AR	1
196	BACR15BA3AD		..RIVET- (SIZE DETERMINE ON INST)	A,M,A E-AR	26
198	BACN10JQ32		..NUTPLATE	A,M,A E-AR	2
200	BACN10JQ33		..NUTPLATE	A,M,A E-AR	5
202	NS103225-02		..NUTPLATE- (V80539) (SPEC BACN10KH3) (OPT RMF9209M3 (V72962)) (OPT RMF9209M3 (V72962))	A,M,A E-AR	6
203	114T4110-21		..STIFFENER	A,M,A E-AR	1
204	BACB30NN3K6		..BOLT	A,M,A E-AR	4
206	BACB30NT3K7		..BOLT	A,M,A E-AR	18

57-43-45

FIG. & ITEM	PART NO.	AIRLINE PART NUMBER	NOMENCLATURE 1234567	EFF CODE	QTY PER ASSY
02-208	BACF3F008E080NN		..FILLER	A,M,A E-AR	1
210	114T4262-7		..PANEL-COVE	A,A E-AK	1
-212	114T4262-8		..PANEL-COVE	M,A L-AR	1
214	BACR15BA3AD		..RIVET- (SIZE DETERMINE ON INST)	A,M,A E-AR	48
216	BACN10JQ34		..NUTPLATE	A,M,A E-AR	4
218	BACN10JQ35		..NUTPLATE	A,M,A E-AR	12
220	BACN10JQ36		..NUTPLATE	A,M,A E-AR	6
221	114T4110-23		..STIFFENER	A,M,A E-AR	1
222	BACB30NT3K7		..BOLT	A,M,A E-AR	14
224	114T4302-1		DELETED		
224A	114T4302-3		DELETED		
224B	114T4302-4		..FITTING-ALIGN.	A,M,A E-AR	1
226	114T4177-2		..STRAP	A,M,A E-AR	1
228	BACB30NU3K5		..BOLT	A,M,A E-AR	20
230	BACB30NN3K6		..BOLT	A,M,A E-AR	2
232	BACB30NT3K3		..BOLT	A,M,A E-AR	2

# 57-43-45

 ILLUSTRATED PARTS LIST  
 01.1 Page 1046L  
 Nov 01/00

FIG. & ITEM	PART NO.	AIRLINE PART NUMBER	NOMENCLATURE 1234567	EFF CODE	QTY PER ASSY
02-234	BACR15FT5AD		..RIVET- (SIZE DETERMINE ON INST)	A,M,A E-AR	40
236	BACF3F008E262NN		..FILLER	A,M,A E-AR	1
238	114T4262-9		..PANEL-COVE	A,A E-AK	1
-240	114T4262-10		..PANEL-COVE	M,A L-AR	1
242	BACR15BA3AD		..RIVET- (SIZE DETERMINE ON INST)	A,M,A E-AR	76
244	BACN10JQ32		..NUTPLATE	A,M,A E-AR	2
246	BACN10JQ33		..NUTPLATE	A,M,A E-AR	20
248	BACN10JQ34		..NUTPLATE	A,M,A E-AR	6
250	BRFM20A3		..NUTPLATE- (V52828) (SPEC BACN10JN3) (OPT MF1000-3BAC (V15653)) (OPT NS103218-02 (V80539)) (OPT RMF9201M3 (V72962)) (OPT VN252A02 (V92215)) (OPT MF1000-3BAC (V15653)) (OPT MF53049-3 (V15653))	A,M,A E-AR	2

**57-43-45**

FIG. & ITEM	PART NO.	AIRLINE PART NUMBER	NOMENCLATURE 1234567	EFF CODE	QTY PER ASSY
02-252	NS103225-02		..NUTPLATE- (V80539) (SPEC BACN10KH3) (OPT RMF9209M3 (V72962)) (OPT RMF9209M3 (V72962))	A,M,A E-AR	8
253	114T4102-19		..FILLER	A,M,A E-AR	2
254	NAS1195DD3KH		..SHIM	A,M,A E-AR	12
255	114T4110-25		..STIFFENER	A,M,A E-AR	1
256	BACB30NN3K6		..BOLT	A,M,A E-AR	5
258	BACB30NT3K7		..BOLT	A,M,A E-AR	20
260	BACF3F008E080NN		..FILLER	A,M,A E-AR	1
262	114T4262-11		..PANEL-COVE	A,A E-AK	1
-264	114T4262-12		..PANEL-COVE	M,A L-AR	1
266	BACR15BA3AD		..RIVET- (SIZE DETERMINE ON INST)	A,M,A E-AR	30
268	BACN10JQ33		..NUTPLATE	A,M,A E-AR	1
270	BACN10JQ34		..NUTPLATE	A,M,A E-AR	4

# 57-43-45

 ILLUSTRATED PARTS LIST  
 01.1 Page 1046N  
 Nov 01/00



FIG. & ITEM	PART NO.	AIRLINE PART NUMBER	NOMENCLATURE 1234567	EFF CODE	QTY PER ASSY
02-272	BACN10JQ35		..NUTPLATE	A,M,A E-AR	14
274	BACN10JQ36		..NUTPLATE	A,M,A E-AR	6
275	114T4110-27		..STIFFENER	A,M,A E-AR	1
276	BACB30NU3K5		..BOLT	A,M,A E-AR	8
278	BACB30NT3K3		..BOLT	A,M,A E-AR	2
280	BACB30NT3K5		..BOLT	A,M,A E-AR	3
282	BACB30NT3K6		..BOLT	A,M,A E-AR	1
284	AN960PD10		..WASHER	A,M,A E-AR	2
286	H10-3BAC		..NUT- (V15653) (SPEC BACN10JC3) (OPT NS202101-02 (V80539)) (OPT RMLH9075-3W (V72962)) (OPT T6S1032J (V71087)) (OPT VN303A02 (V92215)) (OPT 96-02 (V80539)) (OPT BRH10A3 (V52828))	A,M,A E-AR	2
288	BACR15FT6AD		..RIVET- (SIZE DETERMINE ON INST)	A,M,A E-AR	32
289	114T4102-11		..FILLER	A,M,A E-AR	1
290	114T4262-13		..PANEL-COVE	A,A E-AK	1
-291	114T4262-14		..PANEL-COVE	M,A L-AR	1
292	BACR15BA3AD		..RIVET- (SIZE DETERMINE ON INST)	A,M,A E-AR	24
293	BACN10JQ32		..NUTPLATE	A,M,A E-AR	2
294	BACN10JQ33		..NUTPLATE	A,M,A E-AR	4

57-43-45

FIG. & ITEM	PART NO.	AIRLINE PART NUMBER	NOMENCLATURE 1234567	EFF CODE	QTY PER ASSY
02-295	NS103225-02		..NUTPLATE- (V80539) (SPEC BACN10KH3) (OPT RMF9209M3 (V72962)) (OPT RMF9209M3 (V72962))	A,M,A E-AR	6
296	114T4110-29		..STIFFENER	A,M,A E-AR	1
297	BACB30NN3K6		ATTACHING PARTS ..BOLT  -----*-----	A,M,A E-AR	14
298	BACB30NT3K7		..BOLT	A,M,A E-AR	62
298D	BACB30NM3K10		..BOLT- (REWORK DWG 114T4182-1, 114T4182-2)	A,M,A E-AR	2
298H	BACB30NN3K9		..BOLT- (REWORK DWG 114T4182-1, 114T4182-2)	A,M,A E-AR	2
299	BACR15CE5KE		..RIVET- (SIZE DETERMINE ON INST)	A,M,A E-AR	2
300	114T4262-15		..PANEL-COVE	A,A E-AK	1
-302	114T4262-16		..PANEL-COVE	M,A L-AR	1
304	BACR15BA3AD		..RIVET- (SIZE DETERMINE ON INST)	A,M,A E-AR	92
306	BACN10JQ33		..NUTPLATE	A,M,A E-AR	3
308	BACN10JQ34		..NUTPLATE	A,M,A E-AR	10
310	BACN10JQ35		..NUTPLATE	A,M,A E-AR	25
311	BACN10JQ36		..NUTPLATE	A,M,A E-AR	8

# 57-43-45

 ILLUSTRATED PARTS LIST  
 01.1 Page 1046P  
 Nov 01/00

114T4102  
 015T0165  
 015T1507  
 DASH NUMBERS LIMITED

 **BOEING**  
 COMPONENT  
 MAINTENANCE MANUAL

FIG. & ITEM	PART NO.	AIRLINE PART NUMBER	NOMENCLATURE 1234567	EFF CODE	QTY PER ASSY
02-312	NS103225-02		..NUTPLATE- (V80539) (SPEC BACN10KH3) (OPT RMF9209M3 (V72962)) (OPT RMF9209M3 (V72962))	A,M,A E-AR	4
314	NAS1195DD3KH		..SHIM	A,M,A E-AR	2
315	114T4110-31		..STIFFENER	A,M,A E-AR	1
315G	114T4110-33		..STIFFENER	A,M,A E-AR	1
316	BACB30NU3K5		..BOLT	A,M,A E-AR	13
318	BACB30NT3K5		..BOLT	A,M,A E-AR	2
320	BACR15FT5AD		..RIVET- (SIZE DETERMINE ON INST)	A,M,A E-AR	29
322	BACR15FT6AD		..RIVET- (SIZE DETERMINE ON INST)	A,M,A E-AR	1
324	BACF3F008E134NN		..FILLER- (REPLD BY ITEM 324A)	A,M,A E-AR	1
324A	BACF3F009E180NN		..FILLER- (REPLS ITEM 324)	A,M,A E-AR	1
326	114T4262-17		..PANEL-COVE	A,A E-AK	1
-328	114T4262-18		..PANEL-COVE	M,A L-AR	1
330	BACR15BA3AD		..RIVET- (SIZE DETERMINE ON INST)	A,M,A E-AR	30

**57-43-45**

ILLUSTRATED PARTS LIST  
 01.1 Page 1046Q  
 Nov 01/00

FIG. & ITEM	PART NO.	AIRLINE PART NUMBER	NOMENCLATURE 1234567	EFF CODE	QTY PER ASSY
02-332	BACN10JQ32		..NUTPLATE	A,M,A E-AR	1
334	BACN10JQ33		..NUTPLATE	A,M,A E-AR	12
336	NS103225-02		..NUTPLATE- (V80539) (SPEC BACN10KH3) (OPT RMF9209M3 (V72962)) (OPT RMF9209M3 (V72962))	A,M,A E-AR	2
337	114T4110-35		..STIFFENER	A,M,A E-AR	1
338	BACB30NW6K		..BOLT- (SIZE DETERMINE ON INST)	A,M,A E-AR	34
339	BACB30NW5K		..BOLT- (SIZE DETERMINE ON INST) (USED WITH ITEMS 346, 386, 400)	A,M,A E-AR	12
340	AN960PD10		..WASHER	A,M,A E-AR	18
342	HL79-6		..COLLAR- (V56878) (SPEC BACC30M6) (OPT HL79-6 (V73197)) (OPT HL79-6 (V92215)) (OPT 66014-6 (V56878)) (OPT HL79-6 (V5M902))	A,M,A E-AR	34

**57-43-45**

FIG. & ITEM	PART NO.	AIRLINE PART NUMBER	NOMENCLATURE 1234567	EFF CODE	QTY PER ASSY
02-343	BACCOM5		..COLLAR- (USED WITH ITEMS 346, 386, 400)	A,M,A E-AR	12
344	BACR15CE5KE		..RIVET- (SIZE DETERMINE ON INST)	A,M,A E-AR	105
344G	BACR15CE5KE		..RIVET- (SIZE DETERMINE ON INST) 400 (USED WITH ITEMS 386, 400)	A,M,A E-AR	13
344M	BACR15CE5KE		..RIVET- (SIZE DETERMINE ON INST) 390, 400A (USED WITH ITEMS 346A, 390, 400A)	A,M,A E-AR	25
345	114T4101-23		..WASHER- (USED WITH ITEMS 346A, 390, 400)	A,M,A E-AR	34
345G	114T4101-23		..WASHER- (USED WITH ITEMS 386, 400)	A,A E-AK	7
345M	114T4101-23		..WASHER- (USED WITH ITEMS 346A, 390, 400A)	A,M,A E-AR	11
346	114T4175-25		..SHIELD-THRM BARRIER (REPLD BY ITEM 346A)	A,A E-AK	1
346A	114T4175-9		..SHIELD-THRM BARRIER (REPLS ITEM 346)	A,A E-AK	1
-348	114T4175-26		..SHIELD-THRM BARRIER (REPLD BY ITEM 348A)	M,A L-AR	1
-348A	114T4175-10		..SHIELD-THRM BARRIER (REPLS ITEM 348)	M,A L-AR	1
350	114T4174-6		..SEAL-RUBBER (REPLD BY ITEM 350A)	A,M,A E-AR	1
350A	114T4174-21		..SEAL-RUBBER (REPLS ITEM 350)	A,M,A E-AR	1

**57-43-45**

FIG. & ITEM	PART NO.	AIRLINE PART NUMBER	NOMENCLATURE 1234567	EFF CODE	QTY PER ASSY
02-352	114T4174-10		..SEAL-RUBBER	A,M,A E-AR	1
354	114T4174-11		..SEAL-RUBBER	A,M,A E-AR	1
356	114T4174-1		DELETED		
356A	114T4173-1		..SEAL-SPONGE (REPLD BY ITEM 360)	A,M,A E-AR	1
358	114T4174-2		DELETED		
358A	114T4173-2		..SEAL-SPONGE (REPLD BY ITEM 360)	A,M,A E-AR	1
-360	114T4174-3		DELETED		
360A	114T4173-3		..SEAL-SPONGE (REPLS ITEMS 356, 358)	A,M,A E-AR	1
361	114T4173-3		..SEAL-SPONGE	A,M,A E-AR	1
362	114T4175-3		..SHIELD-THRM BARRIER	A,M,A E-AR	2
364	114T4174-7		..SEAL-RUBBER	A,M,A E-AR	2
366	114T4173-3		..SEAL-SPONGE	A,M,A E-AR	4
368	114T4175-3		DELETED		
368A	114T4175-4		..SHIELD-THRM BARRIER	A,M,A E-AR	2
370	114T4174-3		..SEAL-RUBBER	A,M,A E-AR	2
372	114T4174-12		..SEAL-RUBBER	A,M,A E-AR	2
374	114T4173-3		..SEAL-SPONGE	A,M,A E-AR	4
376	114T4175-11		..SHIELD-THRM BARRIER	A,M,A E-AR	1
378	114T4174-12		..SEAL-RUBBER	A,M,A E-AR	1
380	114T4174-3		DELETED		
380A	114T4175-13		..SEAL-RUBBER	A,M,A E-AR	1
382	114T4174-1		..SEAL-RUBBER	A,M,A E-AR	1
384	114T4173-3		..SEAL-SPONGE	A,M,A E-AR	2

# 57-43-45

 ILLUSTRATED PARTS LIST  
 01.1 Page 1046T  
 Nov 01/00

FIG. & ITEM	PART NO.	AIRLINE PART NUMBER	NOMENCLATURE 1234567	EFF CODE	QTY PER ASSY
02-386	114T4175-27		..SHIELD-THRM BARRIER (REPLD BY ITEM 390)	A,A E-AK	1
-388	114T4175-28		..SHIELD-THRM BARRIER (REPLD BY ITEM 390)	M,A L-AR	1
390	114T4175-12		..SHIELD-THRM BARRIER (REPLS ITEMS 386, 388)	A,M,A E-AR	1
392	114T4174-4		..SEAL-RUBBER (REPLD BY ITEM 392A)	A,M,A E-AR	1
392A	114T4174-1		..SEAL-RUBBER (REPLS ITEM 392)	A,M,A E-AR	1
394	114T4174-13		..SEAL-RUBBER	A,M,A E-AR	1
394G	114T4174-3		..SEAL-RUBBER	A,M,A E-AR	1
395	114T4173-6		..SEAL-SPONGE (REPLD BY ITEM 396A)	A,M,A E-AR	1
396	114T4173-2		..SEAL-SPONGE (REPLD BY ITEM 396A)	A,M,A E-AR	1
396A	114T4173-3		..SEAL-SPONGE (REPLS ITEM 396)	A,M,A E-AR	1
398	114T4173-3		..SEAL-SPONGE	A,M,A E-AR	1
400	114T4175-29		..SHIELD-THRM BARRIER (REPLD BY ITEM 400A)	A,A E-AK	1
400A	114T4175-13		..SEAL-THRM BARRIER (REPLS ITEM 400)	A,A E-AK	1
-402	114T4175-30		..SHIELD-THRM BARRIER (REPLD BY ITEM 402A)	M,A L-AR	1
-402A	114T4175-14		..SHIELD-THRM BARRIER (REPLS ITEM 402)	M,A L-AR	1
404	114T4174-12		..SEAL-RUBBER	A,M,A E-AR	1
406	114T4174-14		..SEAL-RUBBER	A,M,A E-AR	1

57-43-45

FIG. & ITEM	PART NO.	AIRLINE PART NUMBER	NOMENCLATURE 1234567	EFF CODE	QTY PER ASSY
02-408	114T4174-15		..SEAL-RUBBER (REPLD BY ITEM 408A)	A,M,A E-AR	1
408A	114T4174-9		..SEAL-RUBBER (REPLS ITEM 408)	A,M,A E-AR	1
410	114T4174-4		DELETED		
410A	114T4173-4		..SEAL-SPONGE (REPLD BY ITEM 414A)	A,M,A E-AR	1
412	114T4174-7		DELETED		
412A	114T4173-7		..SEAL-SPONGE (REPLD BY ITEM 414A)	A,M,A E-AR	1
-414	114T4174-3		DELETED		
414A	114T4173-3		..SEAL-SPONGE (REPLS ITEMS 410A, 412A)	A,M,A E-AR	1
415	114T4173-3		..SEAL-SPONGE	A,M,A E-AR	1
416	114T4112-1		..WEDGE ASSY-TE (USED ON ITEM 6) (PRE SB 767-57A0039) (PRE SB 767-57A0057)	A	1
-416A	114T4112-17		..WEDGE ASSY-TE (POST SB 767-57A0057)	AE-AG	1
-416B	114T4112-21		..WEDGE ASSY-TE (POST SB 767-57A0057)	AH-AK	1
-416E	114T4112-7		..WEDGE ASSY-TE (USED ON ITEMS 6B, 6D) (OPT ITEM 416L) (PRE SB 767-57A0039) (PRE SB 767-57A0057)	A	1
-416L	114T4112-9		..WEDGE ASSY-TE (USED ON ITEMS 6B, 6D) (OPT ITEM 416E) (PRE SB 767-57A0039) (PRE SB 767-57A0057)	A	1

# 57-43-45

 ILLUSTRATED PARTS LIST  
 01.1 Page 1046V  
 Nov 01/00



114T4102  
 015T0165  
 015T1507  
 DASH NUMBERS LIMITED

 **BOEING**  
 COMPONENT  
 MAINTENANCE MANUAL

FIG. & ITEM	PART NO.	AIRLINE PART NUMBER	NOMENCLATURE 1234567	EFF CODE	QTY PER ASSY
02- -418	114T4112-2		..WEDGE ASSY-TE (USED ON ITEM 8) (PRE SB 767-57A0057) (PRE SB 767-57A0039)	M	1
-418A	114T4112-18		..WEDGE ASSY-TE (POST SB 767-57A0057)	AL-AN	1
-418B	114T4112-22		..WEDGE ASSY-TE (POST SB 767-57A0057)	AP-AR	1
-418E	114T4112-8		..WEDGE ASSY-TE (USED ON ITEMS 8B, 8D) (OPT ITEM 418L) (PRE SB 767-57A0039) (PRE SB 767-57A0057)	M	1
-418L	114T4112-10		..WEDGE ASSY-TE (USED ON ITEMS 8B, 8D) (OPT ITEM 418E) (PRE SB 767-57A0039) (PRE SB 767-57A0057)	M	1
420	BACB30NW6K		ATTACHING PARTS DELETED		
422	HL79-6		DELETED		
424	BACR15CE5KE		DELETED		
426	114T4157-1		..PANEL ASSY-ACCESS	A,A E-AK	1
-428	114T4157-2		..PANEL ASSY-ACCESS	M,A L-AR	1
430	114T4157-3		..PANEL ASSY-ACCESS	A,A E-AK	1
-432	114T4157-4		..PANEL ASSY-ACCESS	M,A L-AR	1

**57-43-45**

ILLUSTRATED PARTS LIST  
 01.1 Page 1046W  
 Nov 01/00

FIG. & ITEM	PART NO.	AIRLINE PART NUMBER	NOMENCLATURE 1234567	EFF CODE	QTY PER ASSY
02-434	BACB30NN3K5		..BOLT -----*-----	A,M,A E-AR	56
436	BACR15BA3AD		..RIVET- (SIZE DETERMINE ON INST)	A,M,A E-AR	96
438	BACN10JQ34		..NUTPLATE	A,M,A E-AR	30
440	BACN10JQ33		..NUTPLATE	A,M,A E-AR	7
442	BACN10JQ32		..NUTPLATE	A,M,A E-AR	7
444	NS103225-02		..NUTPLATE- (V80539) (SPEC BACN10KH3) (OPT RMF9209M3 (V72962)) (OPT RMF9209M3 (V72962))	A,M,A E-AR	4
446	NAS1195DD3KH		..SHIM	A,M,A E-AR	4
446G	114T4912-3		..FITTING ASSY-INSERT	A,M,A E-AR	1
446M	114T4912-5		..FITTING ASSY-INSERT	A,M,A E-AR	1
447	BACR15BA5A		ATTACHING PARTS ..RIVET- (SIZE DETERMINE ON INST) -----*-----	A,M,A E-AR	4
447G	BACB30NN3K5		..BOLT	A,M,A E-AR	4
448	BACR15BA3AD		..RIVET- (SIZE DETERMINE ON INST)	A,M,A E-AR	8
450	BACN10JQ33		..NUTPLATE	A,M,A E-AR	4
452	114T4602-17		..RIB ASSY-ACTR (OPT ITEM 452A) (USED ON ITEM 6)	A,A E-AK	1
-452A	114T4602-5		..RIB ASSY-ACTR (OPT ITEM 452) (USED ON ITEM 6)	A,A E-AK	1
-452B	114T4602-5		..RIB ASSY-ACTR (USED ON ITEMS 6B, 6D)	A,A E-AK	1

# 57-43-45

 ILLUSTRATED PARTS LIST  
 01.1 Page 1046X  
 Nov 01/00

FIG. & ITEM	PART NO.	AIRLINE PART NUMBER	NOMENCLATURE 1234567	EFF CODE	QTY PER ASSY
02- -454	114T4602-18		..RIB ASSY-ACTR (OPT ITEM 454A) (USED ON ITEM 8)	M,A L-AR	1
-454A	114T4602-6		..RIB ASSY-ACTR (OPT ITEM 454) (USED ON ITEM 8)	M,A L-AR	1
-454B	114T4602-6		..RIB ASSY-ACTR (USED ON ITEMS 8B, 8D)	M,A L-AR	1
456	BACB30NU3K6		ATTACHING PARTS ..BOLT	A,M,A E-AR	2
458	BACB30NU3K5		..BOLT	A,M,A E-AR	3
460	AN960PD10		..WASHER	A,M,A E-AR	5
462	H10-3BAC		..NUT- (V15653) (SPEC BACN10JC3) (OPT NS202101-02 (V80539)) (OPT RMLH9075-3W (V72962)) (OPT T6S1032J (V71087)) (OPT VN303A02 (V92215)) (OPT 96-02 (V80539)) (OPT BRH10A3 (V52828))	A,M,A E-AR	5
464	BACB30NW5K		..BOLT- (SIZE DETERMINE ON INST)	A,M,A E-AR	5
466	HL70-5		..COLLAR- (V56878) (SPEC BACC30M5) (OPT HL70-5 (V73197)) (OPT HL70-5 (V92215)) (OPT 66014-5 (V56878)) (OPT HL79-5 (V5M902))	A,M,A E-AR	5

**57-43-45**

FIG. & ITEM	PART NO.	AIRLINE PART NUMBER	NOMENCLATURE 1234567	EFF CODE	QTY PER ASSY
02-468	BACB30MY6K		..BOLT- (SIZE DETERMINE ON INST)	A,M,A E-AR	1
470	HL79-6		..COLLAR- (V56878) (SPEC BACC30M6) (OPT HL79-6 (V73197)) (OPT HL79-6 (V92215)) (OPT 66014-6 (V56878)) (OPT HL79-6 (V5M902))	A,M,A E-AR	1
472	BACR15FT6AD		DELETED		
472A	BACR15FT5AD		..RIVET- (SIZE DETERMINE ON INST)	A,M,A E-AR	4
474	BACS40R08C08F		..SHIM  -----*-----	A,M,A E-AR	1
476	BACB28AM07B015A		...BUSHING	A,M,A E-AR	1
478	BACB28AP05P014		...BUSHING- (USED ON ITEMS 452A, 452B, 454A, 454B)	A,M,A E-AR	1
-478A	012T2400-46		...BUSHING- (REWORK DWG 114T4182-1, 114T4182-2) (USED ON ITEMS 452, 454)	A,M,A E-AR	1
480	BACR15BA3AD		...RIVET- (SIZE DETERMINE ON INST)	A,M,A E-AR	32
482	BACN10JQ34		...NUTPLATE	A,M,A E-AR	2
484	BACN10JQ35		...NUTPLATE	A,M,A E-AR	10
486	NS103225-02		...NUTPLATE- (V80539) (SPEC BACN10KH3) (OPT RMF9209M3 (V72962)) (OPT RMF9209M3 (V72962))	A,M,A E-AR	4

# 57-43-45

 ILLUSTRATED PARTS LIST  
 01.1 Page 1046Z  
 Nov 01/00

FIG. & ITEM	PART NO.	AIRLINE PART NUMBER	NOMENCLATURE 1234567	EFF CODE	QTY PER ASSY
02-488	NAS1195DD3KH		...SHIM	A,M,A E-AR	12
490	114T4602-19		...RIB- (USED ON ITEM 452, 454B)	A,A E-AK	1
-490A	114T4602-7		...RIB- (USED ON ITEM 452A)	A,A E-AK	1
-492	114T4602-20		...RIB- (USED ON ITEM 454, 454B)	M,A L-AR	1
-492A	114T4602-8		...RIB- (USED ON ITEM 454A)	M,A L-AR	1
494	114T4603-17		..RIB ASSY-ACTR (OPT ITEM 494A) (USED ON ITEM 6)	A,A E-AK	1
-494A	114T4603-5		..RIB ASSY-ACTR (OPT ITEM 494) (USED ON ITEM 6)	A,A E-AK	1
-494B	114T4603-5		..RIB ASSY-ACTR (USED ON ITEM 6B, 6D)	A,A E-AK	1
-496	114T4603-18		..RIB ASSY-ACTR (OPT ITEM 496A) (USED ON ITEM 8)	M,A L-AR	1
-496A	114T4603-6		..RIB ASSY-ACTR (OPT ITEM 496) (USED ON ITEM 8)	M,A L-AR	1
-496B	114T4603-6		..RIB ASSY-ACTR (USED ON ITEM 8B, 8D) ATTACHING PARTS	M,A L-AR	1

**57-43-45**

FIG. & ITEM	PART NO.	AIRLINE PART NUMBER	NOMENCLATURE 1234567	EFF CODE	QTY PER ASSY
02-498	BACB30NU3K5		..BOLT	A,M,A E-AR	3
500	AN960PD10		..WASHER	A,M,A E-AR	3
502	H10-3BAC		..NUT- (V15653) (SPEC BACN10JC3) (OPT NS202101-02 (V80539)) (OPT RMLH9075-3W (V72962)) (OPT T6S1032J (V71087)) (OPT VN303A02 (V92215)) (OPT 96-02 (V80539)) (OPT BRH10A3 (V52828))	A,M,A E-AR	3
504	BACB30NW5K		..BOLT- (SIZE DETERMINE ON INST)	A,M,A E-AR	5
506	BACB30NW6K		..BOLT- (SIZE DETERMINE ON INST)	A,M,A E-AR	2
508	BACB30MY6K		..BOLT- (SIZE DETERMINE ON INST)	A,M,A E-AR	1
510	HL70-5		..COLLAR- (V56878) (SPEC BACC30M5) (OPT HL70-5 (V73197)) (OPT HL70-5 (V92215)) (OPT 66014-5 (V56878)) (OPT HL79-5 (V5M902))	A,M,A E-AR	5

# 57-43-45

 ILLUSTRATED PARTS LIST  
 01.1 Page 1048  
 Nov 01/00

FIG. & ITEM	PART NO.	AIRLINE PART NUMBER	NOMENCLATURE 1234567	EFF CODE	QTY PER ASSY
02-512	HL79-6		..COLLAR- (V56878) (SPEC BACC30M6) (OPT HL79-6 (V73197)) (OPT HL79-6 (V92215)) (OPT 66014-6 (V56878)) (OPT HL79-6 (V5M902))	A,M,A E-AR	3
514	BACR15FT6AD		DELETED		
514A	BACR15FT5AD		..RIVET- (SIZE DETERMINE ON INST)	A,M,A E-AR	4
516	BACS40R08C08F		..SHIM  -----*-----	A,M,A E-AR	1
518	BACB28AM07B015A		...BUSHING	A,M,A E-AR	1
520	BACB28AP05P014		...BUSHING- (USED ON ITEMS 494A, 494B, 496A, 496B)	A,M,A E-AR	1
-520A	012T2400-46		...BUSHING- (REWORK DWG 114T4182-1, 114T4182-2) (USED ON ITEMS 494, 496)	A,M,A E-AR	1
522	BACR15BA3AD		...RIVET- (SIZE DETERMINE ON INST)	A,M,A E-AR	36
524	BACN10JQ34		...NUTPLATE	A,M,A E-AR	2
526	BACN10JQ35		...NUTPLATE	A,M,A E-AR	12
528	NS103225-02		...NUTPLATE- (V80539) (SPEC BACN10KH3) (OPT RMF9209M3 (V72962)) (OPT RMF9209M3 (V72962))	A,M,A E-AR	4

57-43-45

FIG. & ITEM	PART NO.	AIRLINE PART NUMBER	NOMENCLATURE 1234567	EFF CODE	QTY PER ASSY
02-530	NAS1195DD3KH		...SHIM	A,M,A E-AR	12
532	114T4603-19		...RIB- (USED ON ITEM 494, 494B)	A,A E-AK	1
-532A	114T4603-7		...RIB- (USED ON ITEM 494A)	A,A E-AK	1
-534	114T4603-20		...RIB- (USED ON ITEM 496, 496B)	M,A L-AR	1
-536A	114T4603-8		...RIB- (USED ON ITEM 496A)	M,A L-AR	1
537	BACB30MY6K5		..BOLT- (REWORK DWG 114T4182-1, 114T4182-2)	A,M,A E-AR	8
538 538A	114T4402-5 H10-3BAC		DELETED ..NUT- (V15653) (SPEC BACN10JC3) (OPT NS202101-02 (V80539)) (OPT RMLH9075-3W (V72962)) (OPT T6S1032J (V71087)) (OPT VN303A02 (V92215)) (OPT 96-02 (V80539)) (OPT BRH10A3 (V52828)) (REWORK DWG 114T4182-1, 114T4182-2)	A,M,A E-AR	8
539	114T6419-1		..FITTING-SLAT CLOSURE PNL SPRT (REWORK DWG 114T4182-1, 114T4182-2)	A,M,A E-AR	2

# 57-43-45

 ILLUSTRATED PARTS LIST  
 01.1 Page 1048B  
 Nov 01/00



114T4102  
 015T0165  
 015T1507  
 DASH NUMBERS LIMITED

 **BOEING**  
 COMPONENT  
 MAINTENANCE MANUAL

FIG. & ITEM	PART NO.	AIRLINE PART NUMBER	NOMENCLATURE 1234567	EFF CODE	QTY PER ASSY
02- -540 540A	114T4402-6 114T6419-2		DELETED ..FITTING-SLAT CLOSURE PNL SPRT (REWORK DWG 114T4182-1, 114T4182-2)	A,M,A E-AR	2
541	BACS12ER3C15		..SCREW- (REWORK DWG 114T4182-1, 114T4182-2)	A,M,A E-AR	4
542 542A	BACB30NU3K5 H10-3BAC		ATTACHING PARTS DELETED ..NUT- (V15653) (SPEC BACN10JC3) (OPT NS202101-02 (V80539)) (OPT RMLH9075-3W (V72962)) (OPT T6S1032J (V71087)) (OPT VN303A02 (V92215)) (OPT 96-02 (V80539)) (OPT BRH10A3 (V52828)) (REWORK DWG 114T4182-1, 114T4182-2)	A,M,A E-AR	4

**57-43-45**

ILLUSTRATED PARTS LIST  
 01.1 Page 1048C  
 Nov 01/00

FIG. & ITEM	PART NO.	AIRLINE PART NUMBER	NOMENCLATURE 1234567	EFF CODE	QTY PER ASSY
02-543	BACR15CE5AD		..RIVET- (SIZE DETERMINE ON INST) (REWORK DWG 114T4182-1, 114T4182-2)	A,M,A E-AR	8
-544	BACB30NT3K22		DELETED		
-544A	BACB30NT3K22		DELETED		
544B	BACB30LK3-22		DELETED		
544C	114T6415-1		..PLATE-PIVOT FTG (REWORK DWG 114T4182-1, 114T4182-2)	A,M,A E-AR	4
545	BACB30MY10K10		..BOLT- (REWORK DWG 114T4182-1, 114T4182-2)	A,M,A E-AR	4
545G	HL82-10APBW		..COLLAR- (V73197) (SPEC BACC30AG10) (OPT HL82-10APBW (V56878)) (OPT HL82-10APBW (V92215)) (REWORK DWG 114T4182-1, 114T4182-2)	A,M,A E-AR	4
545P	BACS40R12C29F		..SHIM- (REWORK DWG 114T4182-1, 114T4182-2)	A,M,A E-AR	2

# 57-43-45

 ILLUSTRATED PARTS LIST  
 01.1 Page 1048D  
 Nov 01/00

FIG. & ITEM	PART NO.	AIRLINE PART NUMBER	NOMENCLATURE 1234567	EFF CODE	QTY PER ASSY
02-546	BACB30NU3K7		..BOLT	A,M,A E-AR	8
547	BACB30NU3K5		..BOLT	A,M,A E-AR	8
548	AN960PD10		..WASHER	A,M,A E-AR	16
550	H10-3BAC		..NUT- (V15653) (SPEC BACN10JC3) (OPT NS202101-02 (V80539)) (OPT RMLH9075-3W (V72962)) (OPT T6S1032J (V71087)) (OPT VN303A02 (V92215)) (OPT 96-02 (V80539)) (OPT BRH10A3 (V52828))	A,M,A E-AR	16
552	BACB30NW6K		..BOLT- (SIZE DETERMINE ON INST)	A,M,A E-AR	16
554	BACB30MY6K		..BOLT- (SIZE DETERMINE ON INST)	A,M,A E-AR	4
556	BACB30M6		DELETED		
556A	HL79-6		..COLLAR- (V56878) (SPEC BACC30M6) (OPT HL79-6 (V73197)) (OPT HL79-6 (V92215)) (OPT 66014-6 (V56878)) (OPT HL79-6 (V5M902))	A,M,A E-AR	20
558	BACR15FT6AD		..RIVET- (SIZE DETERMINE ON INST)	A,M,A E-AR	16
560	BACS4OR08C16F		..SHIM	A,M,A E-AR	2
561	BACB30NW6K9X		..BOLT- (REWORK DWG 114T4182-1, 114T4182-2)	A,M,A E-AR	4

**57-43-45**

FIG. & ITEM	PART NO.	AIRLINE PART NUMBER	NOMENCLATURE 1234567	EFF CODE	QTY PER ASSY
02-561C	HL79-6		..COLLAR- (V56878) (SPEC BACC30M6) (OPT HL79-6 (V73197)) (OPT HL79-6 (V92215)) (OPT 66014-6 (V56878)) (OPT HL79-6 (V5M902)) (REWORK DWG 114T4182-1, 114T4182-2)	A,M,A E-AR	4
561F	BACB30LL3-7		..BOLT- (REWORK DWG 114T4182-1, 114T4182-2)	A,M,A E-AR	2
561J	H10-3BAC		..NUT- (V15653) (SPEC BACN10JC3) (OPT NS202101-02 (V80539)) (OPT RMLH9075-3W (V72962)) (OPT T6S1032J (V71087)) (OPT VN303A02 (V92215)) (OPT 96-02 (V80539)) (OPT BRH10A3 (V52828)) (REWORK DWG 114T4182-1, 114T4182-2)	A,M,A E-AR	2
562 562A	BACB28AM13B023A 114T6415-2		DELETED ..FILLER- (REWORK DWG 114T4182-1, 114T4182-2)	A,M,A E-AR	1
562G	114T6415-3		..FILLER- (REWORK DWG 114T4182-1, 114T4182-2)	A,M,A E-AR	1

# 57-43-45

FIG. & ITEM	PART NO.	AIRLINE PART NUMBER	NOMENCLATURE 1234567	EFF CODE	QTY PER ASSY
02-563	114T6415-5		..FILLER- (REWORK DWG 114T4182-1, 114T4182-2)	A,M,A E-AR	4
563G	BACS40R08C34F		..SHIM- (REWORK DWG 114T4182-1, 114T4182-2)	A,M,A E-AR	2
564	BACB28AP09P022		DELETED		
564A	114T4402-5		..RIB ASSY-MAIN TRACK (REWORK DWG 114T4182-3)	A,A E-AK	1
-565	114T4402-6		..RIB ASSY-MAIN TRACK (REWORK DWG 114T4182-4)	M,A L-AR	1
566	BACR15BA3AD		...RIVET- (SIZE DETERMINE ON INST)	A,M,A E-AR	36
568	BACN10JQ33		...NUTPLATE	A,M,A E-AR	16
570	NS103225-02		...NUTPLATE- (V80539) (SPEC BACN10KH3) (OPT RMF9209M3 (V72962)) (OPT RMF9209M3 (V72962))	A,M,A E-AR	2
572	NAS1195DD3KH		...SHIM	A,M,A E-AR	2
574	114T4402-7		...RIB	A,A E-AK	1
-576	114T4402-8		...RIB	M,A L-AR	1
577	114T4188-1		..FITTING ASSY-MAIN TRACK RIB PIVOT (REWORK DWG 114T4182-1)	A,A E-AK	1
578	114T4403-5		DELETED		
-578A	114T4188-2		..FITTING ASSY-MAIN TRACK RIB PIVOT (REWORK DWG 114T4182-2)	M,A L-AR	1
579	012T2400-42		...BUSHING	A,M,A E-AR	1

**57-43-45**

FIG. & ITEM	PART NO.	AIRLINE PART NUMBER	NOMENCLATURE 1234567	EFF CODE	QTY PER ASSY
02-					
-580	114T4403-6		DELETED		
580A	BACB28AM11B020A		...BUSHING	A,M,A E-AR	1
581	114T4188-3		...FITTING	A,A E-AK	1
582	BACB30NU3K5		DELETED		
-582A	114T4188-4		...FITTING	M,A L-AR	1
583	114T4189-1		..FITTING ASSY-MAIN TRACK RIB PIVOT (REWORK DWG 114T4182-1)	A,A E-AK	1
-584	BACB30NT3K22		DELETED		
-584A	BACB30NT3K22		DELETED		
584B	BACB30LK3-22		DELETED		
-585	114T4189-2		..FITTING ASSY-MAIN TRACK RIB PIVOT (REWORK DWG 114T4182-2)	M,A L-AR	1
586	BACB30NU3K7		DELETED		
587	012T2400-42		...BUSHING	A,M,A E-AR	1
588	AN960PD10		DELETED		
589	BACB28AM11B020A		...BUSHING	A,M,A E-AR	1
590	H10-3BAC		DELETED		
591	114T4189-3		...FITTING	A,A E-AK	1
592	BACB30NW6K		DELETED		
-593	114T4189-4		...FITTING	M,A L-AR	1
594	BACB30MY6K		DELETED		
596	HL79-6		DELETED		

# 57-43-45

 ILLUSTRATED PARTS LIST  
 01.1 Page 1048H  
 Nov 01/00

114T4102  
 015T0165  
 015T1507  
 DASH NUMBERS LIMITED

 **BOEING**  
 COMPONENT  
 MAINTENANCE MANUAL

FIG. & ITEM	PART NO.	AIRLINE PART NUMBER	NOMENCLATURE 1234567	EFF CODE	QTY PER ASSY
02-					
598	BACR15FT6AD		DELETED		
600	BACS4OR08C16F		DELETED		
602	BACB28AM13B023A		DELETED		
604	BACB28AP09P022		DELETED		
604A	114T4403-5		..RIB ASSY-MAIN TRACK (REWORK DWG 114T4182-5)	A,A E-AK	1
-605	114T4403-6		..RIB ASSY-MAIN TRACK (REWORK DWG 114T4182-6)	M,A L-AR	1
606	BACR15BA3AD		...RIVET- (SIZE DETERMINE ON INST)	A,M,A E-AR	20
608	BACN10JQ33		...NUTPLATE	A,M,A E-AR	18
610	NS103225-02		...NUTPLATE- (V80539) (SPEC BACN10KH3) (OPT RMF9209M3 (V72962)) (OPT RMF9209M3 (V72962))	A,M,A E-AR	2
612	NAS1195DD3KH		...SHIM	A,M,A E-AR	2
614	114T4403-7		...RIB	A,A E-AK	1
-616	114T4403-8		...RIB	M,A L-AR	1
618	114T4510-25		..RIB ASSY-AUX ARM AND	A,A E-AK	1
-620	114T4510-26		..RIB ASSY-AUX ARM AND	M,A L-AR	1
622	114T4510-27		..RIB ASSY-AUX ARM AND	A,A E-AK	1

**57-43-45**

ILLUSTRATED PARTS LIST  
 01.1 Page 1048I  
 Nov 01/00

FIG. & ITEM	PART NO.	AIRLINE PART NUMBER	NOMENCLATURE 1234567	EFF CODE	QTY PER ASSY
02- -624	114T4510-28		..RIB ASSY-AUX ARM AND	M,A L-AR	1
626	BACB30NT3K6		..BOLT	A,M,A E-AR	4
628 628A	BACB30NU3K2 BACB30NU3K3		DELETED ..BOLT- (REWORK DWG 114T4182-1, 114T4182-2) (OPT ITEM 628B)	A,M,A E-AR	2
-628B	BACB30LL3-3		..BOLT- (REWORK DWG 114T4182-1, 114T4182-2) (OPT ITEM 628A)	A,M,A E-AR	2
629 629A	BACB30NU3K4 BACB30NU3K3X		DELETED ..BOLT- (REWORK DWG 114T4182-1, 114T4182-2) (OPT ITEMS 629B, 629C)	A,M,A E-AR	2
-629B	BACB30LL3K3X		..BOLT- (REWORK DWG 114T4182-1, 114T4182-2) (OPT ITEMS 629A, 629C)	A,M,A E-AR	2
-629C	BACB30LL3-3X		..BOLT- (REWORK DWG 114T4182-1, 114T4182-2) (OPT ITEMS 629A, 629B)	A,M,A E-AR	2
630	AN960PD10		..WASHER	A,M,A E-AR	4
630A	BACW10P43AL		..WASHER	A,M,A E-AR	4

# 57-43-45



FIG. & ITEM	PART NO.	AIRLINE PART NUMBER	NOMENCLATURE 1234567	EFF CODE	QTY PER ASSY
02-632	H10-3BAC		..NUT- (V15653) (SPEC BACN10JC3) (OPT NS202101-02 (V80539)) (OPT RMLH9075-3W (V72962)) (OPT T6S1032J (V71087)) (OPT VN303A02 (V92215)) (OPT 96-02 (V80539)) (OPT BRH10A3 (V52828))	A,M,A E-AR	8
634	BACB30NW6K		..BOLT- (SIZE DETERMINE ON INST)	A,M,A E-AR	14
636	BACB30MY6K		..BOLT- (SIZE DETERMINE ON INST)	A,M,A E-AR	2
638	HL79-6		..COLLAR- (V56878) (SPEC BACC30M6) (OPT HL79-6 (V73197)) (OPT HL79-6 (V92215)) (OPT 66014-6 (V56878)) (OPT HL79-6 (V5M902))	A,M,A E-AR	16
640	BACR15FT6AD		..RIVET- (SIZE DETERMINE ON INST)	A,M,A E-AR	8
642	BACS40R08C08F		..SHIM	A,M,A E-AR	2
644	BACB30LE5-24		DELETED		
644A	BACB30MY14K22		...BOLT- (REWORK DWG 114T4182-1, 114T4182-2)	A,M,A E-AR	1
646	BACW10BP5CD		DELETED		
648	BACW10BP5DP		DELETED		
650	BACW10P362LA		DELETED		
652	BMNN10HR5		DELETED		

57-43-45

FIG. & ITEM	PART NO.	AIRLINE PART NUMBER	NOMENCLATURE 1234567	EFF CODE	QTY PER ASSY
02-652A	HL79-14		...COLLAR- (V56878) (SPEC BACC30M14) (OPT HL79-14 (V73197)) (OPT HL79-14 (V92215)) (OPT 66014-14 (V56878)) (OPT HL79-14 (V5M902)) (REWORK DWG 114T4182-1, 114T4182-2)	A,M,A E-AR	1
654 654A	BACB30LE4-24 HL62PB12-22		DELETED ...BOLT- (V97928) (SPEC BACB30FP12-22) (OPT HL62PB12-22 (V92215)) (OPT HL62PB12-22 (V80539)) (OPT HL62PB12-22 (V73197)) (OPT HL62PB12-22 (V56878)) (OPT HL62PB12-22 (V06725)) (REWORK DWG 114T4182-1, 114T4182-2)	A,M,A E-AR	1
656	BACW10BP4CD		DELETED		
658	BACW10BP4DP		DELETED		
660	BACW10P361LA		DELETED		
662	BMNN10HR4		DELETED		

**57-43-45**

FIG. & ITEM	PART NO.	AIRLINE PART NUMBER	NOMENCLATURE 1234567	EFF CODE	QTY PER ASSY
02-662A	HL79-12		...COLLAR- (V56878) (SPEC BACC30M12) (OPT HL79-12 (V73197)) (OPT HL79-12 (V92215)) (OPT 66014-12 (V56878)) (OPT HL79-12 (V5M902)) (REWORK DWG 114T4182-1, 114T4182-2)	A,M,A E-AR	1
664	BACB28U5C037		DELETED		
666	BACB28U5C058		DELETED		
668	114T4140-97		...ARM ASSY- (USED ON ITEM 618)	A,A E-AK	1
-670	114T4140-98		...ARM ASSY- (USED ON ITEM 620)	M,A L-AR	1
672	114T4140-105		...ARM ASSY- (USED ON ITEM 622)	A,A E-AK	1
-674	114T4140-106		...ARM ASSY- (USED ON ITEM 624)	M,A L-AR	1
676	114T4511-1		DELETED		
676A	012T2400-45		....BUSHING- (REWORK DWG 114T4182-1, 114T4182-2)	A,M,A E-AR	1
678	BACB28U4C037		DELETED		

57-43-45

FIG. & ITEM	PART NO.	AIRLINE PART NUMBER	NOMENCLATURE 1234567	EFF CODE	QTY PER ASSY
02-680	114T4140-101		....ARM- (USED ON ITEM 668)	A,A E-AK	1
-682	114T4140-102		....ARM- (USED ON ITEM 670)	M,A L-AR	1
684	114T4140-109		....ARM- (USED ON ITEM 672)	A,A E-AK	1
-686	114T4140-110		....ARM- (USED ON ITEM 674)	M,A L-AR	1
688	114T4140-99		...ARM ASSY- (USED ON ITEM 618)	A,A E-AK	1
-690	114T4140-100		...ARM ASSY- (USED ON ITEM 620)	M,A L-AR	1
692	114T4140-107		...ARM ASSY- (USED ON ITEM 622)	A,A E-AK	1
-694	114T4140-108		...ARM ASSY- (USED ON ITEM 624)	M,A L-AR	1
696	114T4511-1		DELETED		
696A	012T2400-45		....BUSHING- (REWORK DWG 114T4182-1, 114T4182-2)	A,M	1
698	BACB28U4C037		DELETED		
700	114T4140-103		....ARM- (USED ON ITEM 688)	A,A E-AK	1
-702	114T4140-104		....ARM- (USED ON ITEM 690)	M,A L-AR	1
704	114T4140-111		....ARM- (USED ON ITEM 692)	A,A E-AK	1
-706	114T4140-112		....ARM- (USED ON ITEM 694)	M,A L-AR	1
708	114T4502-5		...RIB ASSY- (USED ON ITEM 618)	A,A E-AK	1

# 57-43-45

 ILLUSTRATED PARTS LIST  
 01.1 Page 1048N  
 Nov 01/00

FIG. & ITEM	PART NO.	AIRLINE PART NUMBER	NOMENCLATURE 1234567	EFF CODE	QTY PER ASSY
02- -710	114T4502-6		...RIB ASSY- (USED ON ITEM 620)	M,A L-AR	1
712	114T4503-5		...RIB ASSY- (USED ON ITEM 622)	A,A E-AK	1
-714	114TJ503-6		DELETED		
-714A	114T4503-6		...RIB ASSY- (USED ON ITEM 624)	M,A L-AR	1
716	BACB28U4C058		DELETED		
718	114T4502-7		...RIB- (USED ON ITEM 708)	A,A E-AK	1
-720	114T4502-8		...RIB- (USED ON ITEM 710)	M,A L-AR	1
722	114T4503-7		...RIB- (USED ON ITEM 712)	A,A E-AK	1
-724	114T4503-8		...RIB- (USED ON ITEM 714)	M,A L-AR	1
726 726A	HL11VAZ5-4 HL441UC5-3		DELETED ...BOLT- (V56878) (SPEC BACB30FN5A3) (OPT HL441UC5-3 (V73197)) (OPT HL441UC5-3 (V92215)) (OPT HL441UC5-3 (V97928)) (OPT HL41PY5-3 (V80539)) (OPT HL441N5-3 (V80539)) (OPT HL441UC5-3 (V80539)) (OPT 67068-5A3 (V56878)) (OPT 67068-5A3 (V56878)) (OPT HL19-5A3 (V06725)) (OPT L839-5A3 (V06725)) (REWORK DWG 114T4182-1, 114T4182-2) (OPT ITEM 726B)	A,M,A E-AR	4

57-43-45

FIG. & ITEM	PART NO.	AIRLINE PART NUMBER	NOMENCLATURE 1234567	EFF CODE	QTY PER ASSY
02- -726B	HL445PB5-3		...BOLT- (V56878) (SPEC BACB30ND5A3) (OPT HL445PB5-3 (V56878)) (OPT HL445PB5-3 (V73197)) (OPT HL445PB5-3 (V92215)) (OPT 69310-5A3 (V56878)) (OPT HL445PB5-3 (V80539)) (REWORK DWG 114T4182-1, 114T4182-2) (OPT ITEM 726A)	A,M,A E-AR	4
728	AN960PD8L		...WASHER	A,M,A E-AR	4
730 730A	H10-08BAC BACN10JC08CD		DELETED ...NUT- (REWORK DWG 114T4182-1, 114T4182-2)	A,M,A E-AR	4
732 732A	114T4522-1 114T4149-1		DELETED ...PLATE-RUB (REWORK DWG 114T4182-1, 114T4182-2)	A,M,A E-AR	1

**57-43-45**

ILLUSTRATED PARTS LIST  
01.1 Page 1048P  
Nov 01/00

FIG. & ITEM	PART NO.	AIRLINE PART NUMBER	NOMENCLATURE 1234567	EFF CODE	QTY PER ASSY
02-733	114T4149-2		...PLATE-RUB (REWORK DWG 114T4182-1, 114T4182-2)	A,M,A E-AR	1
734	114T4903-1		..RIB ASSY-END	A,A E-AK	1
-736	114T4903-2		..RIB ASSY-END	M,A L-AR	1
738	BACR15BA3AD		...RIVET- (SIZE DETERMINE ON INST)	A,M,A E-AR	12
740	BACN10JQ33		...NUTPLATE	A,M,A E-AR	3
742	BACN10JQ34		...NUTPLATE	A,M,A E-AR	2
744	NS103225-02		...NUTPLATE- (V80539) (SPEC BACN10KH3) (OPT RMF9209M3 (V72962)) (OPT RMF9209M3 (V72962))	A,M,A E-AR	1
746	NAS1195DD3KH		...SHIM	A,M,A E-AR	1
748	NAS1195DD3KM		...SHIM	A,M,A E-AR	1
-750	114T4904-1		..RIB ASSY-END	A,A E-AK	1
-752	114T4904-2		..RIB ASSY-END	M,A L-AR	1
754	BACR15BA3AD		...RIVET- (SIZE DETERMINE ON INST)	A,M,A E-AR	8
756	BACN10JQ34		...NUTPLATE	A,M,A E-AR	3

**57-43-45**

FIG. & ITEM	PART NO.	AIRLINE PART NUMBER	NOMENCLATURE 1234567	EFF CODE	QTY PER ASSY
02-758	NS103225-02		...NUTPLATE- (V80539) (SPEC BACN10KH3) (OPT RMF9209M3 (V72962)) (OPT RMF9209M3 (V72962))	A,M,A E-AR	1
760	NAS1195DD3KH		...SHIM	A,M,A E-AR	1
762	NAS1195DD3KM		...SHIM	A,M,A E-AR	1
762G	BACR15BA3AD		..RIVET- (SIZE DETERMINE ON INST)	A,M,A E-AR	4
763	BACN10JQ32		..NUTPLATE	A,M,A E-AR	2
-764	114T4122-21		..BEAM ASSY-NOSE (REPLD BY ITEM 764A)	A,A E-AK	1
-764A	114T4122-23		..BEAM ASSY-NOSE (REPLS ITEM 764)	A,A E-AK	1
-766	114T4122-22		..BEAM ASSY-NOSE (REPLD BY ITEM 766A)	M,A L-AR	1
-766A	114T4122-24		..BEAM ASSY-NOSE (REPLS ITEM 766)	M,A L-AR	1
768	BACB30NT3K5		...BOLT	A,M,A E-AR	42
770	AN960PD10L		...WASHER	A,M,A E-AR	42
772	114T4119-1		...DOOR	A,M,A E-AR	3
774	BACR15BA3AD		...RIVET- (SIZE DETERMINE ON INST)	A,M,A E-AR	84

# 57-43-45

 ILLUSTRATED PARTS LIST  
 01.1 Page 1048R  
 Nov 01/00



FIG. & ITEM	PART NO.	AIRLINE PART NUMBER	NOMENCLATURE 1234567	EFF CODE	QTY PER ASSY
02-776	BACN10JQ32		...NUTPLATE	A,M,A E-AR	42
778	114T4119-2		...DOUBLER	A,M,A E-AR	3
-780	114T4200-13		..SEAL INSTL	A,A E-AK	1
-782	114T4200-14		..SEAL INSTL	M,A L-AR	1
784	BACB30NN3K4		...BOLT	A,M,A E-AR	5
786	BACB30NT3K4		...BOLT	A,M,A E-AR	2
788	BACW10P43AL		...WASHER	A,M,A E-AR	7
790	AN960PD10L		...WASHER	A,M,A E-AR	7
792	H10-3BAC		...NUT- (V15653) (SPEC BACN10JC3) (OPT NS202101-02 (V80539)) (OPT RMLH9075-3W (V72962)) (OPT T6S1032J (V71087)) (OPT VN303A02 (V92215)) (OPT 96-02 (V80539)) (OPT BRH10A3 (V52828))	A,M,A E-AR	5

**57-43-45**

FIG. & ITEM	PART NO.	AIRLINE PART NUMBER	NOMENCLATURE 1234567	EFF CODE	QTY PER ASSY
02-794	114T4200-53		DELETED		
794A	114T4240-53		...SEAL	A,A E-AK	1
-796	114T4200-54		DELETED		
-796A	114T4240-53		DELETED		
-796B	114T4240-54		..SEAL	M,A L-AR	1
798	114T4200-55		DELETED		
798A	114T4240-55		..SEAL	A,A E-AK	1
-800	114T4200-56		DELETED		
-800A	114T4240-56		..SEAL	M,A L-AR	1
-802	114T4200-15		..SEAL INSTL	A,A E-AK	1
-804	114T4200-16		..SEAL INSTL	M,A L-AR	1
806	BACB30NT3K2		...BOLT	A,M,A E-AR	2
808	BACB30NT3K4		...BOLT	A,M,A E-AR	14
810	BACW10P43AL		...WASHER	A,M,A E-AR	6
812	AN960PD10L		...WASHER	A,M,A E-AR	21
814	AN960PD10		...WASHER	A,M,A E-AR	1
816	H10-3BAC		...NUT- (V15653) (SPEC BACN10JC3) (OPT NS202101-02 (V80539)) (OPT RMLH9075-3W (V72962)) (OPT T6S1032J (V71087)) (OPT VN303A02 (V92215)) (OPT 96-02 (V80539)) (OPT BRH10A3 (V52828))	A,M,A E-AR	13

# 57-43-45

 ILLUSTRATED PARTS LIST  
 01.1 Page 1048T  
 Nov 01/00

FIG. & ITEM	PART NO.	AIRLINE PART NUMBER	NOMENCLATURE 1234567	EFF CODE	QTY PER ASSY
02-818	114T4221-15		...FITTING-ATTACH	A,A E-AK	1
-820	114T4221-16		...FITTING-ATTACH	M,A L-AR	1
822	114T4223-21		...SEAL-BLADE	A,A E-AK	1
-824	114T4223-22		...SEAL-BLADE	M,A L-AR	1
826	114T4222-27		...RETAINER	A,A E-AK	1
-828	114T4222-28		...RETAINER	M,A L-AR	1
830	114T4221-23		...FITTING-ATTACH	A,A E-AK	1
-832	114T4221-24		...FITTING-ATTACH	M,A L-AR	1
834	114T4223-19		...SEAL	A,A E-AK	1
-836	114T4223-20		...SEAL	M,A L-AR	1
838	114T4222-2		...RETAINER	A,M,A E-AR	1
840	114T4240-57		...SEAL	A,A E-AK	1
-842	114T4240-58		...SEAL	M,A L-AR	1
844	114T4240-59		...SEAL	A,A E-AK	1
-846	114T4240-60		...SEAL	M,A L-AR	1

**57-43-45**

FIG. & ITEM	PART NO.	AIRLINE PART NUMBER	NOMENCLATURE 1234567	EFF CODE	QTY PER ASSY
02-848	BACR15BB3AD		..RIVET- (SIZE DETERMINE ON INST)	A,M,A E-AR	4
850	MS27253-1		..PLATE	A,M,A E-AR	1
852	BACR15BB4A		..RIVET- (SIZE DETERMINE ON INST)	A,M,A E-AR	2
854	BACR15CE6KE		..RIVET- (SIZE DETERMINE ON INST)	A,M,A E-AR	120
856	BACR15CE5KE		..RIVET- (SIZE DETERMINE ON INST)	A,M,A E-AR	14
858	BACB30NW6K		..BOLT- (SIZE DETERMINE ON INST)	A,M,A E-AR	10
860	HL79-6		..COLLAR- (V56878) (SPEC BACC30M6) (OPT HL79-6 (V73197)) (OPT HL79-6 (V92215)) (OPT 66014-6 (V56878)) (OPT HL79-6 (V5M902))	A,M,A E-AR	10
862	114T4151-13		..PANEL-LWR CLOSURE	A,A E-AK	1
-864	114T4151-14		..PANEL-LWR CLOSURE	M,A L-AR	1
866	114T4151-15		..PANEL-LWR CLOSURE	A,A E-AK	1

# 57-43-45

 ILLUSTRATED PARTS LIST  
 01.1 Page 1048V  
 Nov 01/00

114T4102  
 015T0165  
 015T1507  
 DASH NUMBERS LIMITED

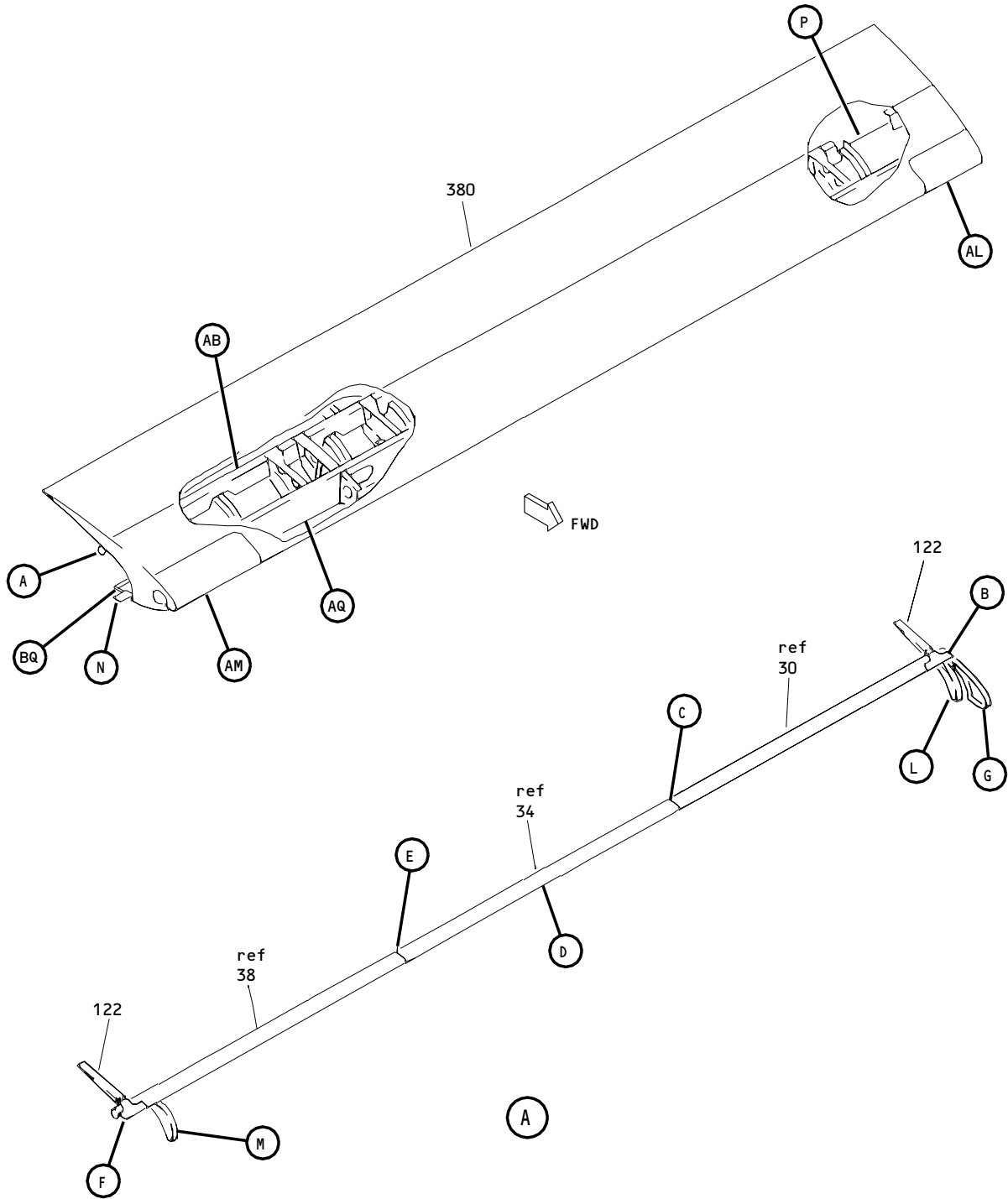
 **BOEING**  
 COMPONENT  
 MAINTENANCE MANUAL

FIG. & ITEM	PART NO.	AIRLINE PART NUMBER	NOMENCLATURE	EFF CODE	QTY PER ASSY
			1234567		
02- -868	114T4151-16		..PANEL-LWR CLOSURE	M,A L-AR A,M,A E-AR	1
960	114T4180-2		DELETED		
-960A	114T4180-12		DELETED		
965	ADB08V301NC		DELETED		
970	114T4180-7		DELETED		
-970A	114T4180-17		DELETED		

- Item Not Illustrated

**57-43-45**

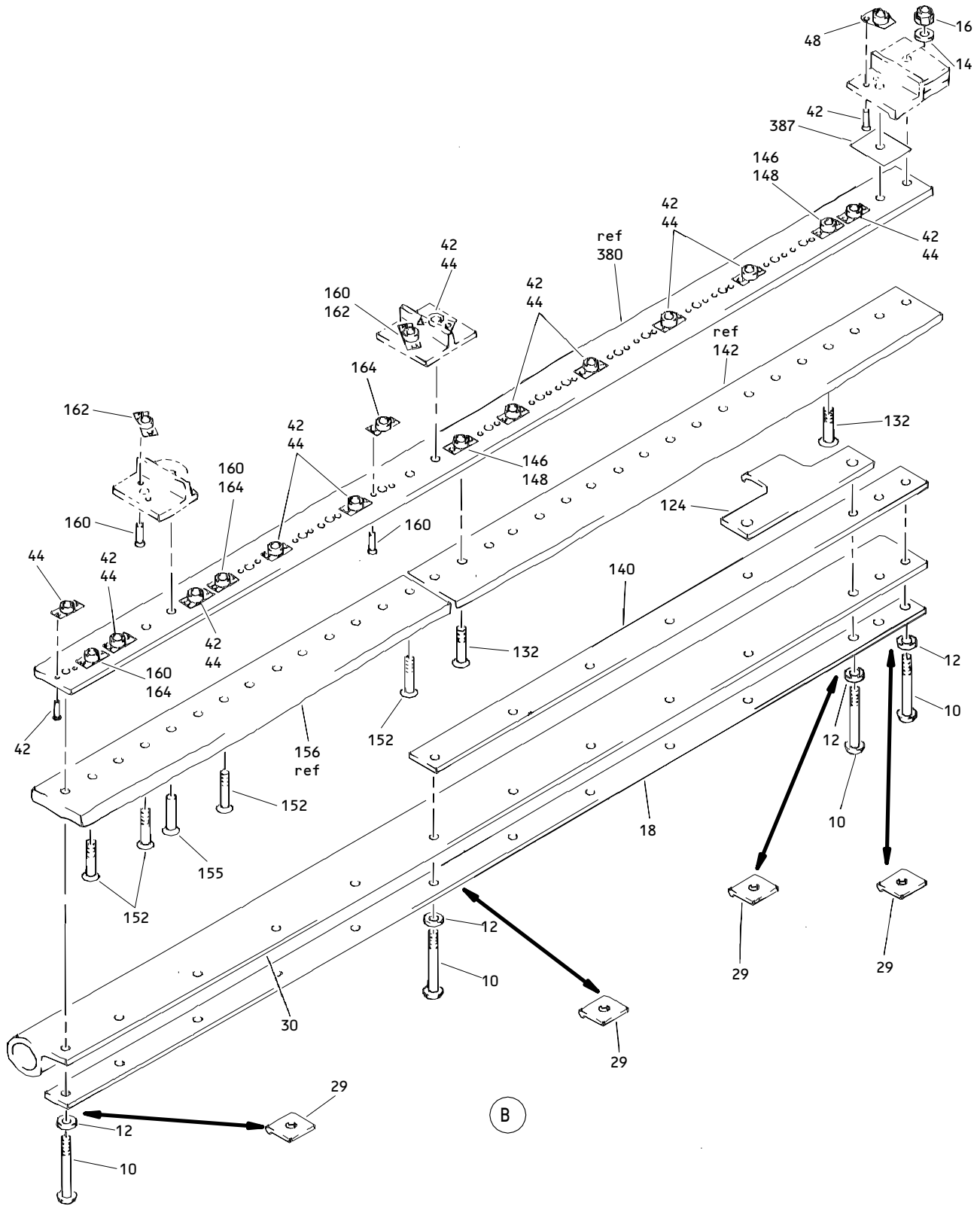
ILLUSTRATED PARTS LIST  
 01.1 Page 1048W  
 Nov 01/00



Outboard Slat No. 2 and 11 Wing Leading Edge Structure Assembly  
Figure 3 (Sheet 1)

**57-43-45**

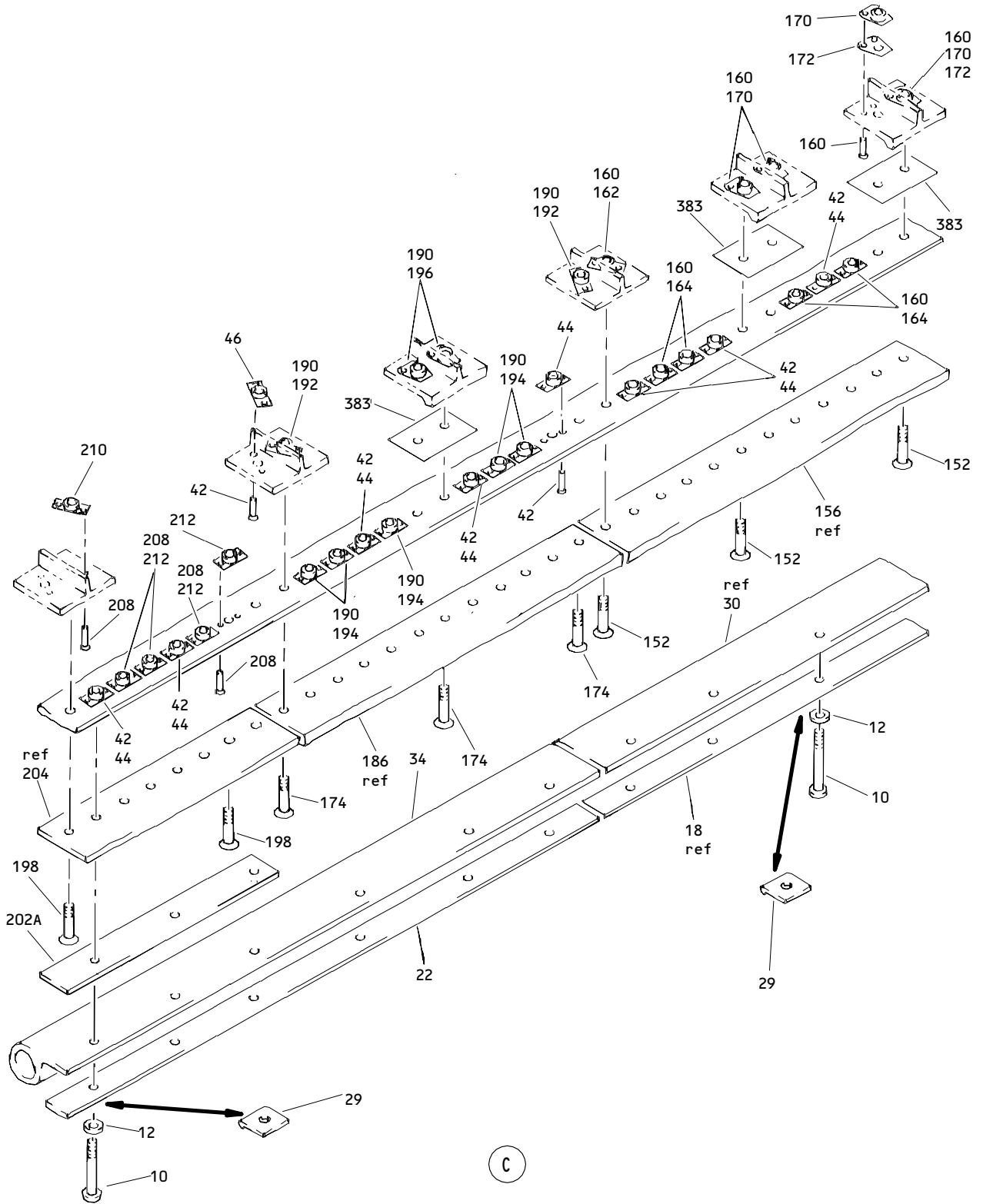
ILLUSTRATED PARTS LIST  
01.1 Page 1048Y  
Nov 01/00



Outboard Slat No. 2 and No. 11 Wing Leading Edge Structure Assembly  
 Figure 3 (Sheet 2)

**57-43-45**

ILLUSTRATED PARTS LIST  
 01.1 Page 1048Z  
 Nov 01/00

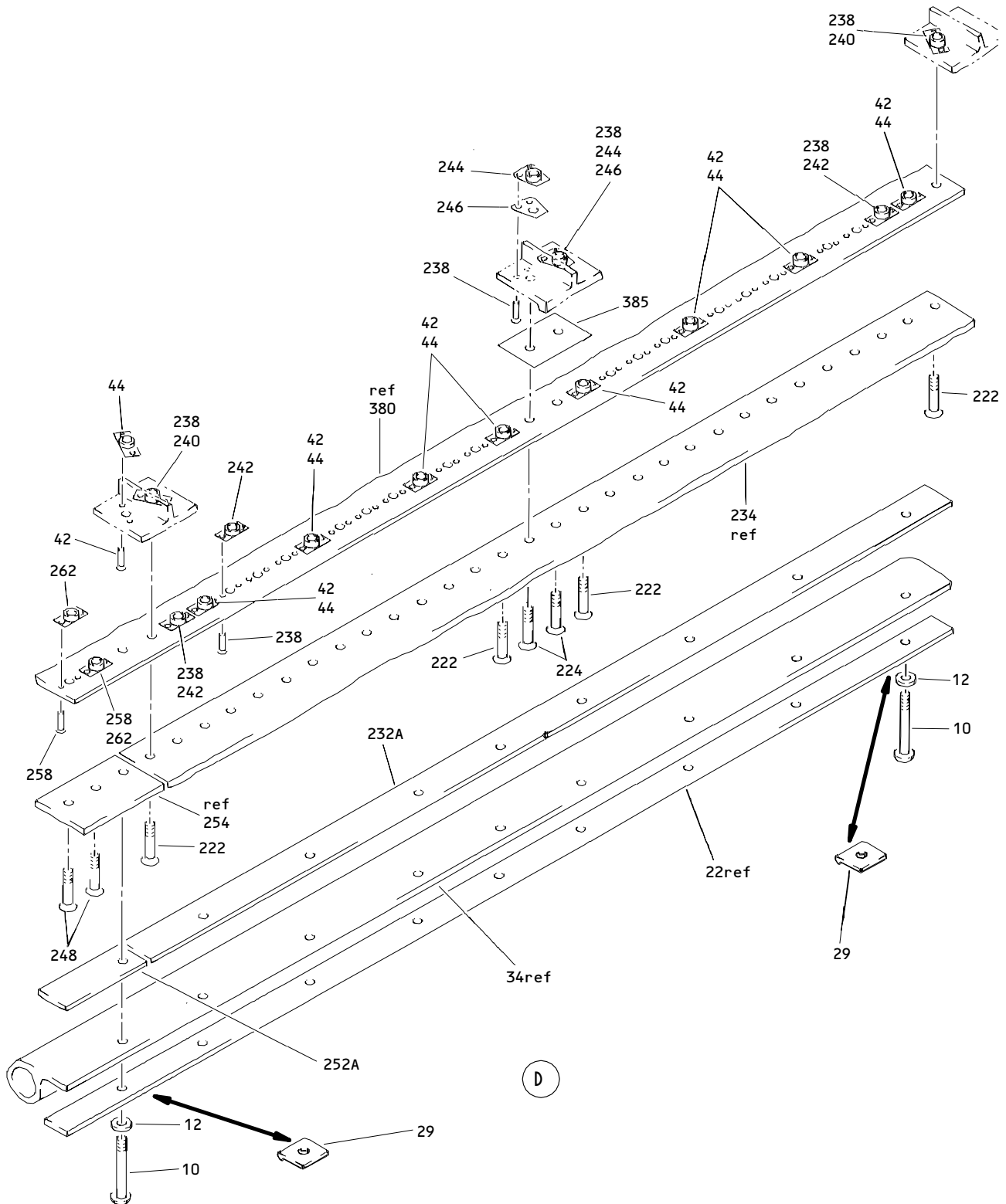


Outboard Slat No. 2 and No. 11 Wing Leading Edge Structure Assembly  
Figure 3 (Sheet 3)

**57-43-45**

ILLUSTRATED PARTS LIST  
01.1 Page 1049  
Nov 01/00

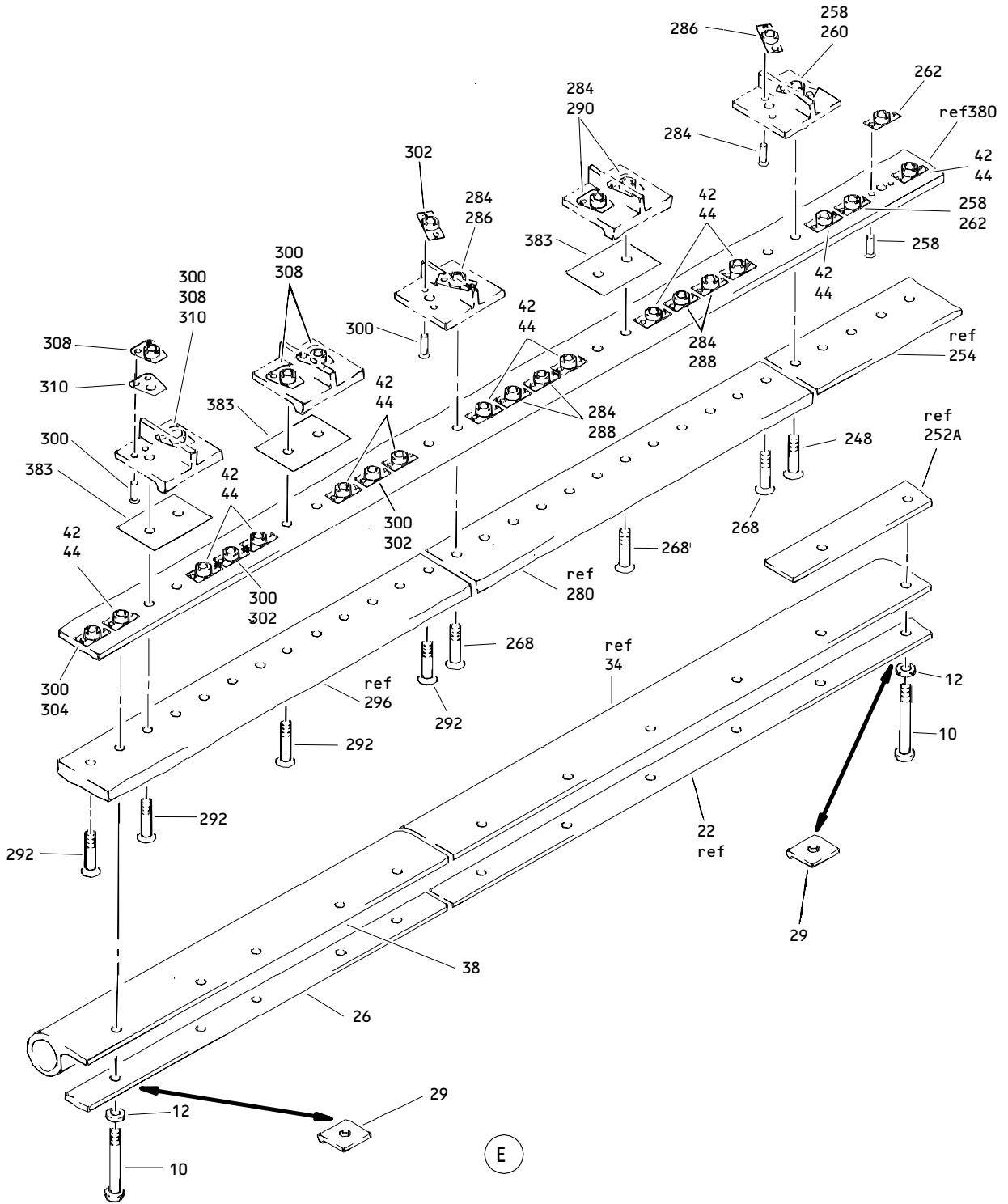




Outboard Slat No. 2 and No. 11 Wing Leading Edge Structure Assembly  
 Figure 3 (Sheet 4)

**57-43-45**

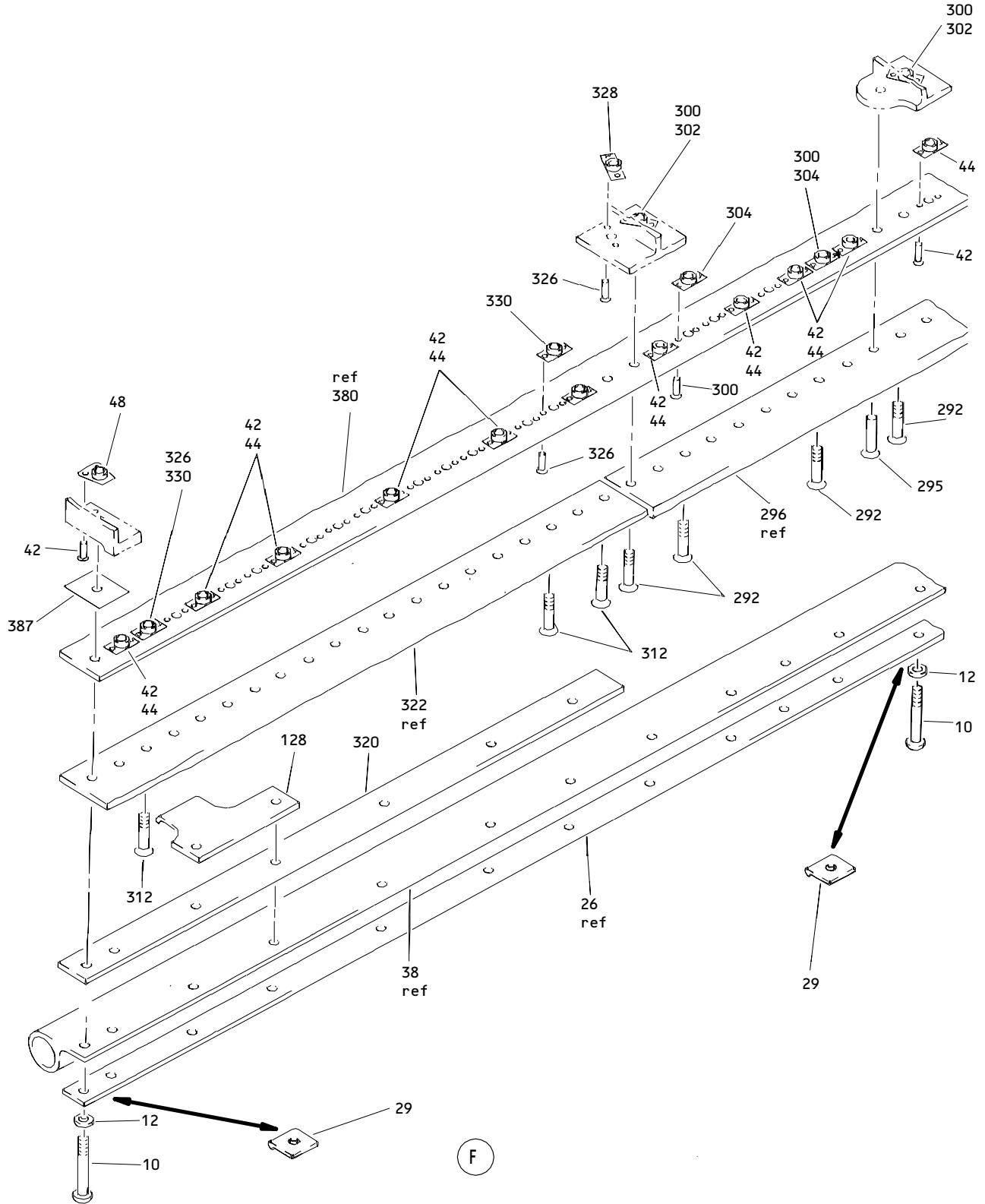
ILLUSTRATED PARTS LIST  
 01.1 Page 1050  
 Nov 01/00



Outboard Slat No. 2 and No. 11 Wing Leading Edge Structure Assembly  
Figure 3 (Sheet 5)

**57-43-45**

ILLUSTRATED PARTS LIST  
01.1 Page 1050A  
Nov 01/00

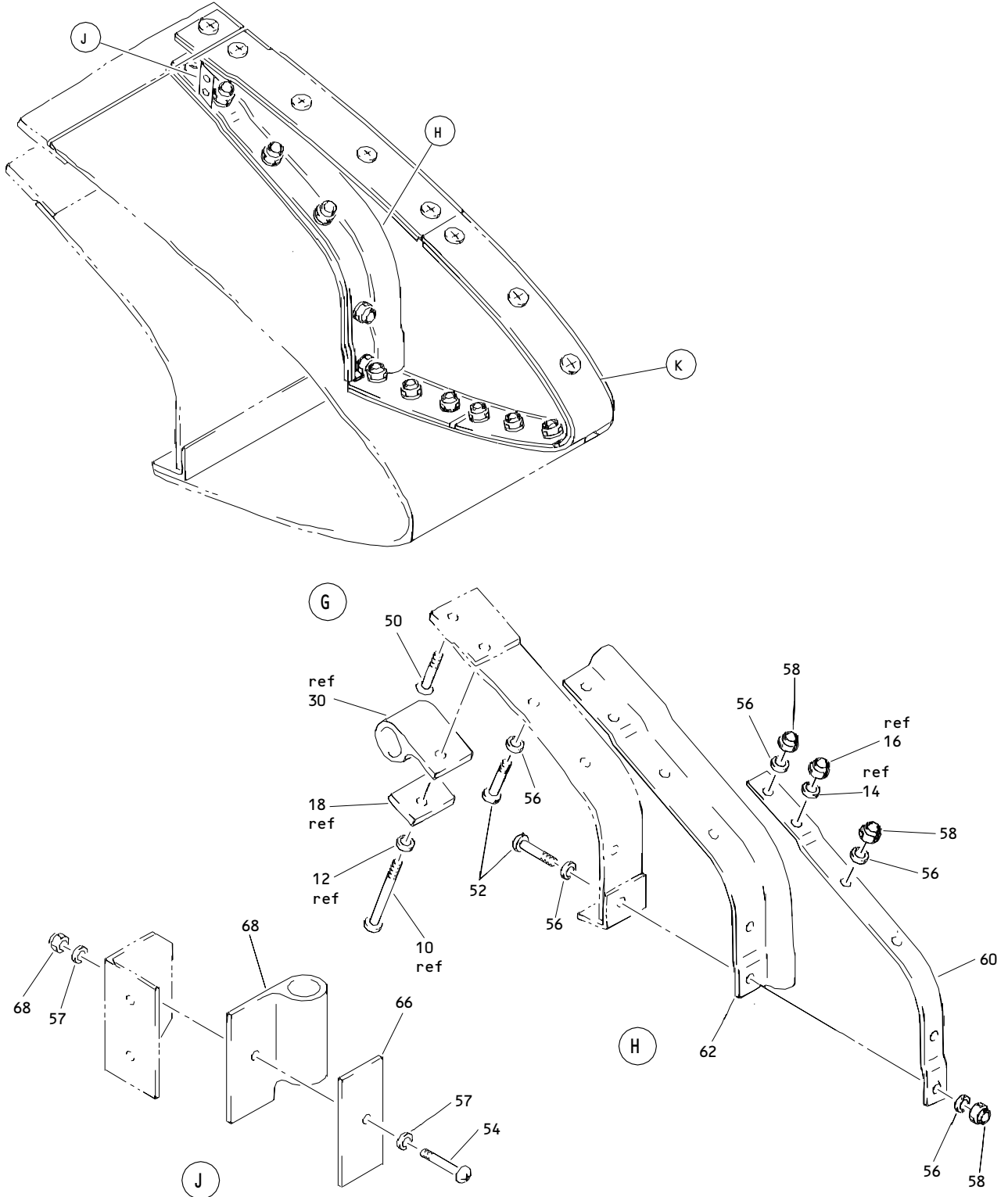


Outboard Slat No. 2 and No. 11 Wing Leading Edge Structure Assembly  
Figure 3 (Sheet 6)

**57-43-45**

ILLUSTRATED PARTS LIST  
01.1 Page 1050B  
Nov 01/00

114T4102  
015T0165  
015T1507  
DASH NUMBERS LIMITED

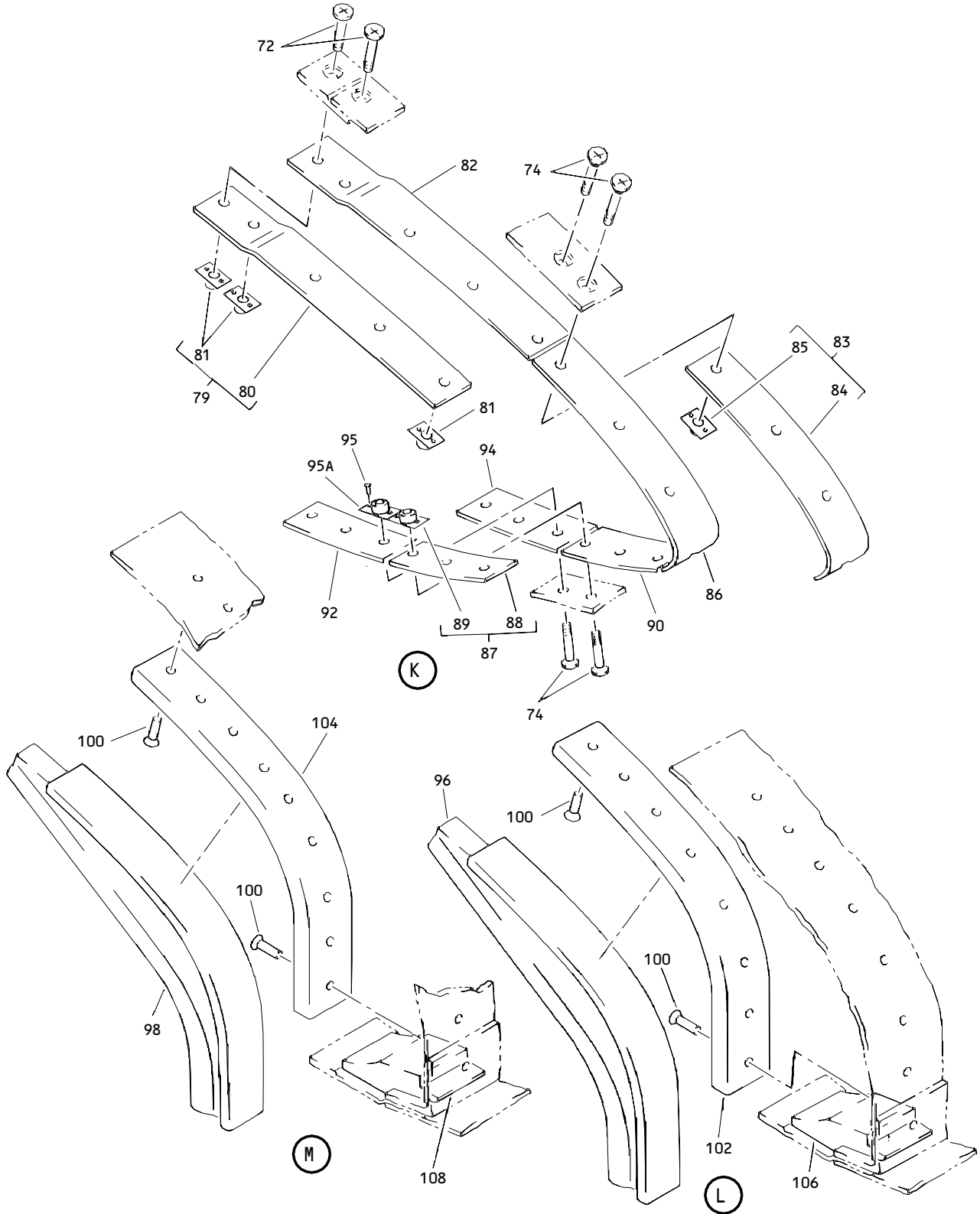


Outboard Slat No. 2 and No. 11 Wing Leading Edge Structure Assembly  
Figure 3 (Sheet 7)

**57-43-45**

ILLUSTRATED PARTS LIST  
01.1 Page 1050C  
Nov 01/00

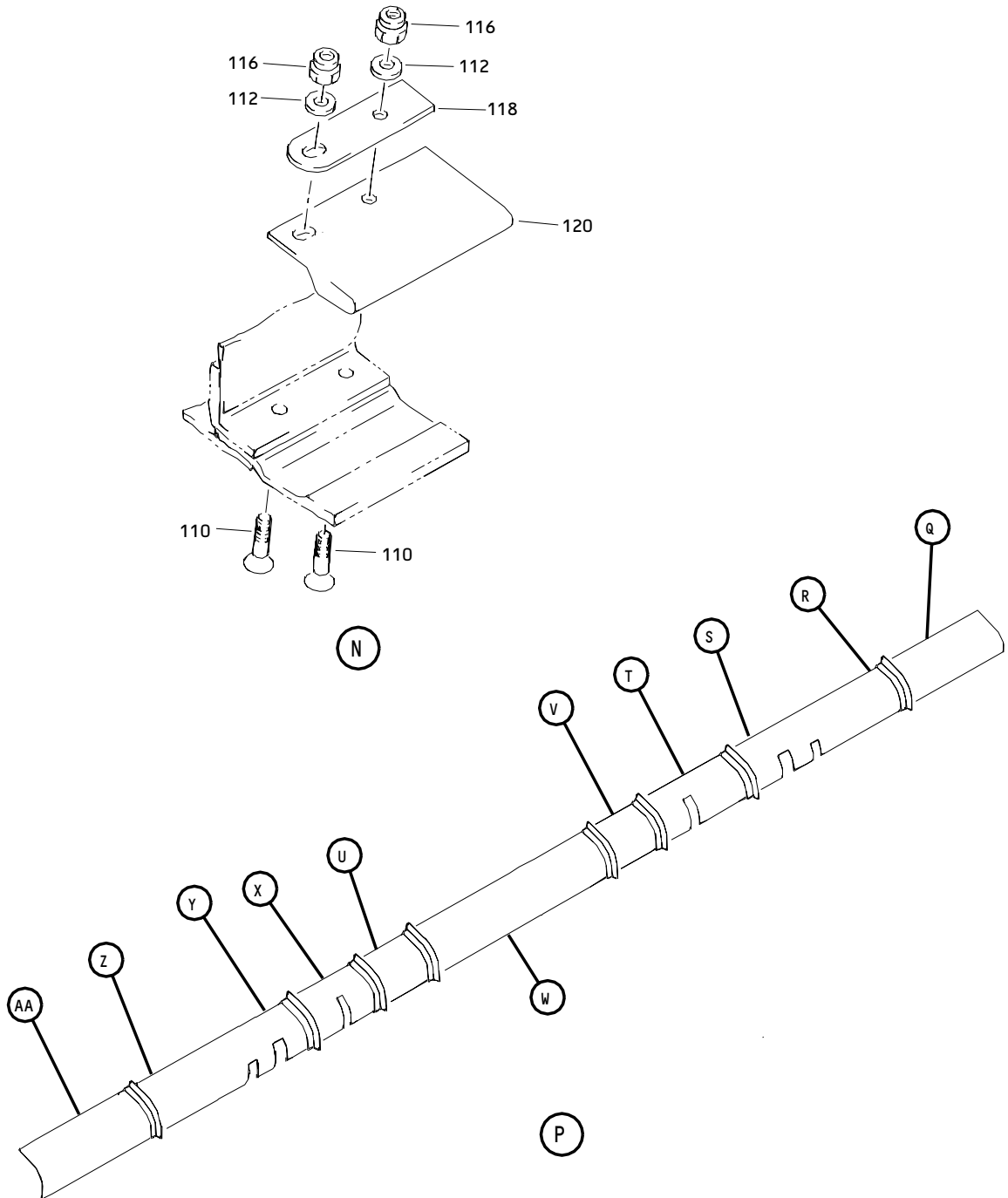
T77510



Outboard Slat No. 2 and No. 11 Wing Leading Edge Structure Assembly  
 Figure 3 (Sheet 8)

**57-43-45**

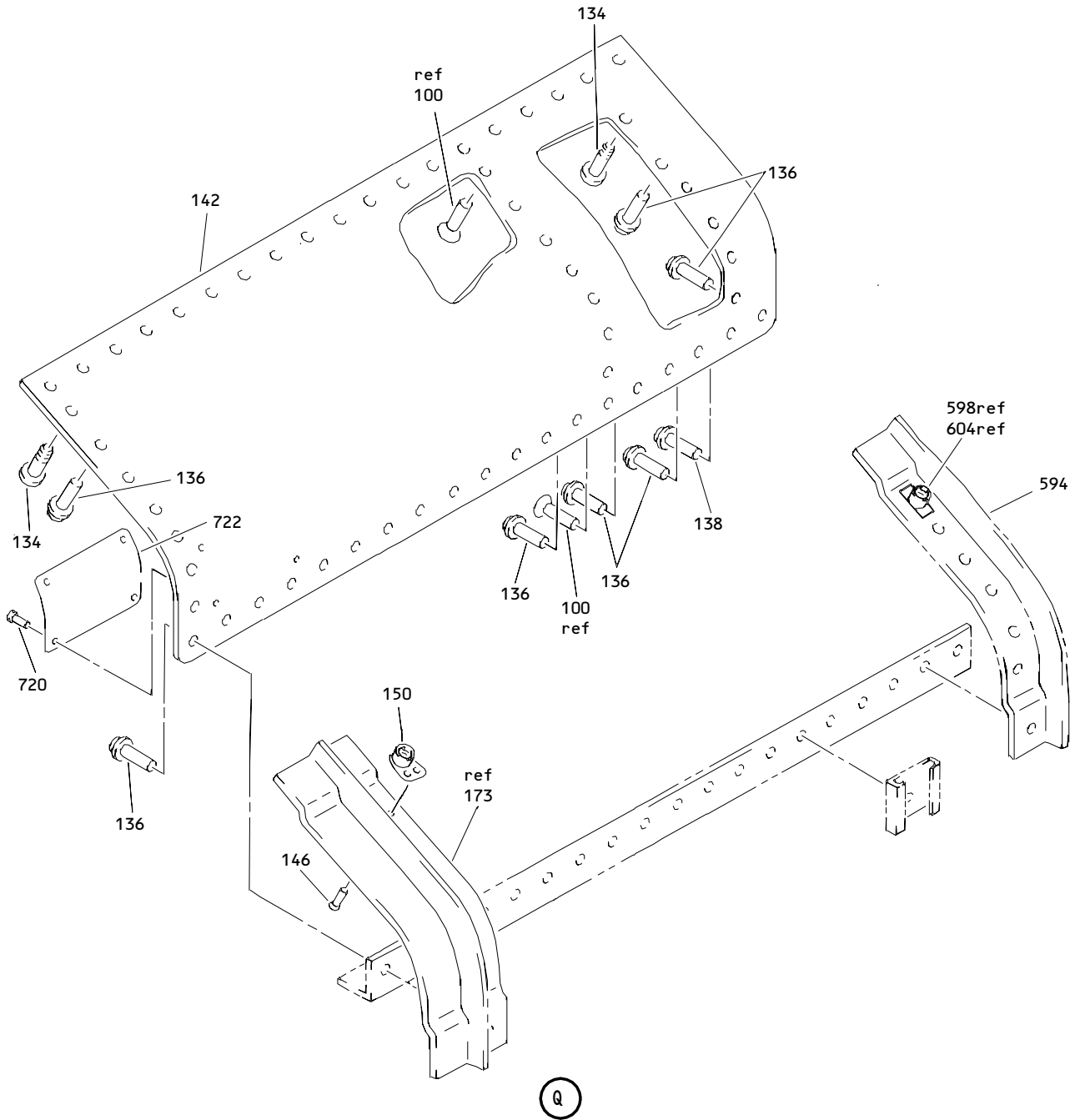
ILLUSTRATED PARTS LIST  
 01.1 Page 1050D  
 Nov 01/00



Outboard Slat No. 2 and 11 Wing Leading Edge Structure Assembly  
Figure 3 (Sheet 9)

**57-43-45**

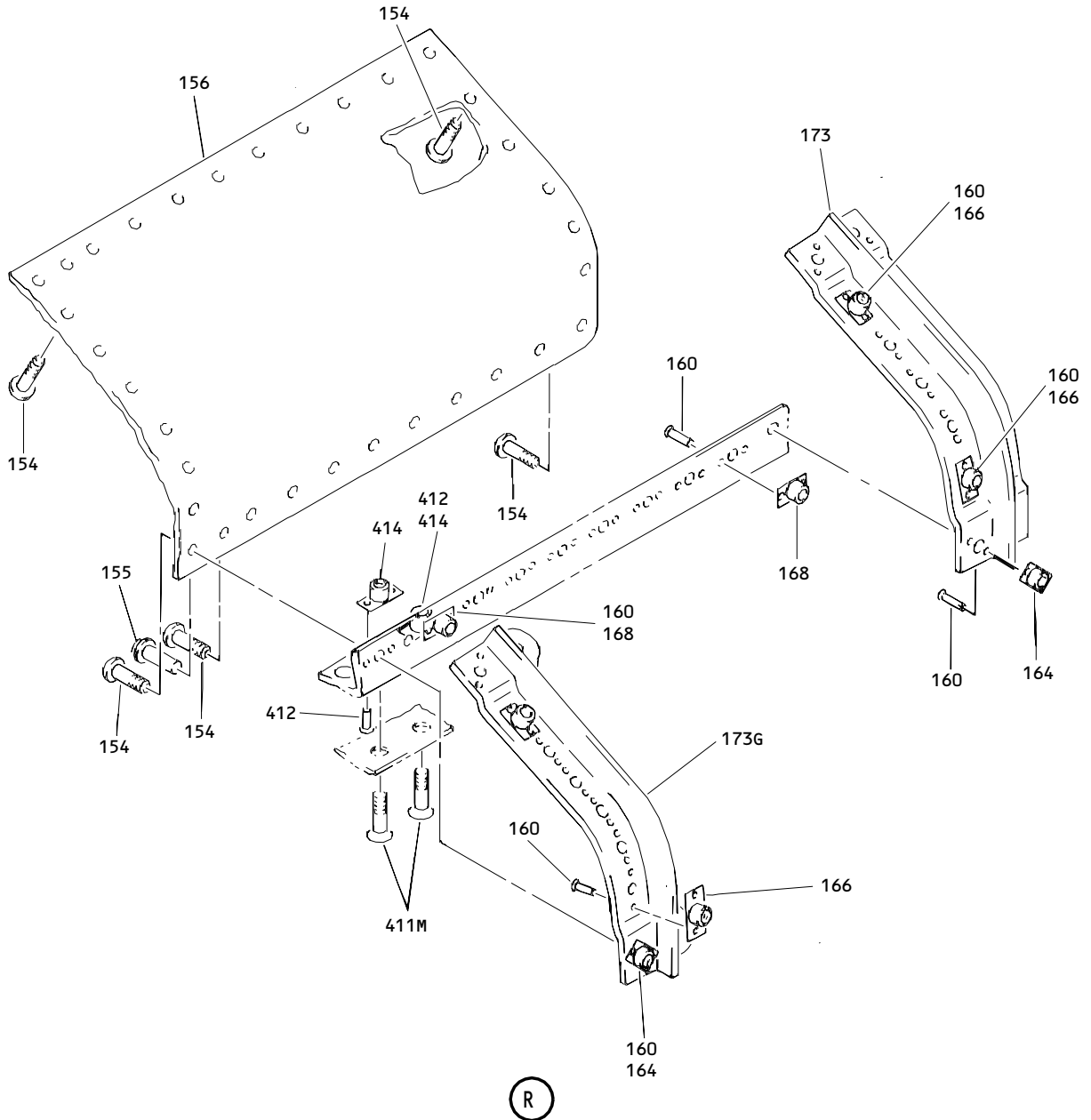
ILLUSTRATED PARTS LIST  
01.1 Page 1050E  
Nov 01/00



Outboard Slat No. 2 and No. 11 Wing Leading Edge Structure Assembly  
 Figure 3 (Sheet 10)

**57-43-45**

ILLUSTRATED PARTS LIST  
 01.1 Page 1050F  
 Nov 01/00

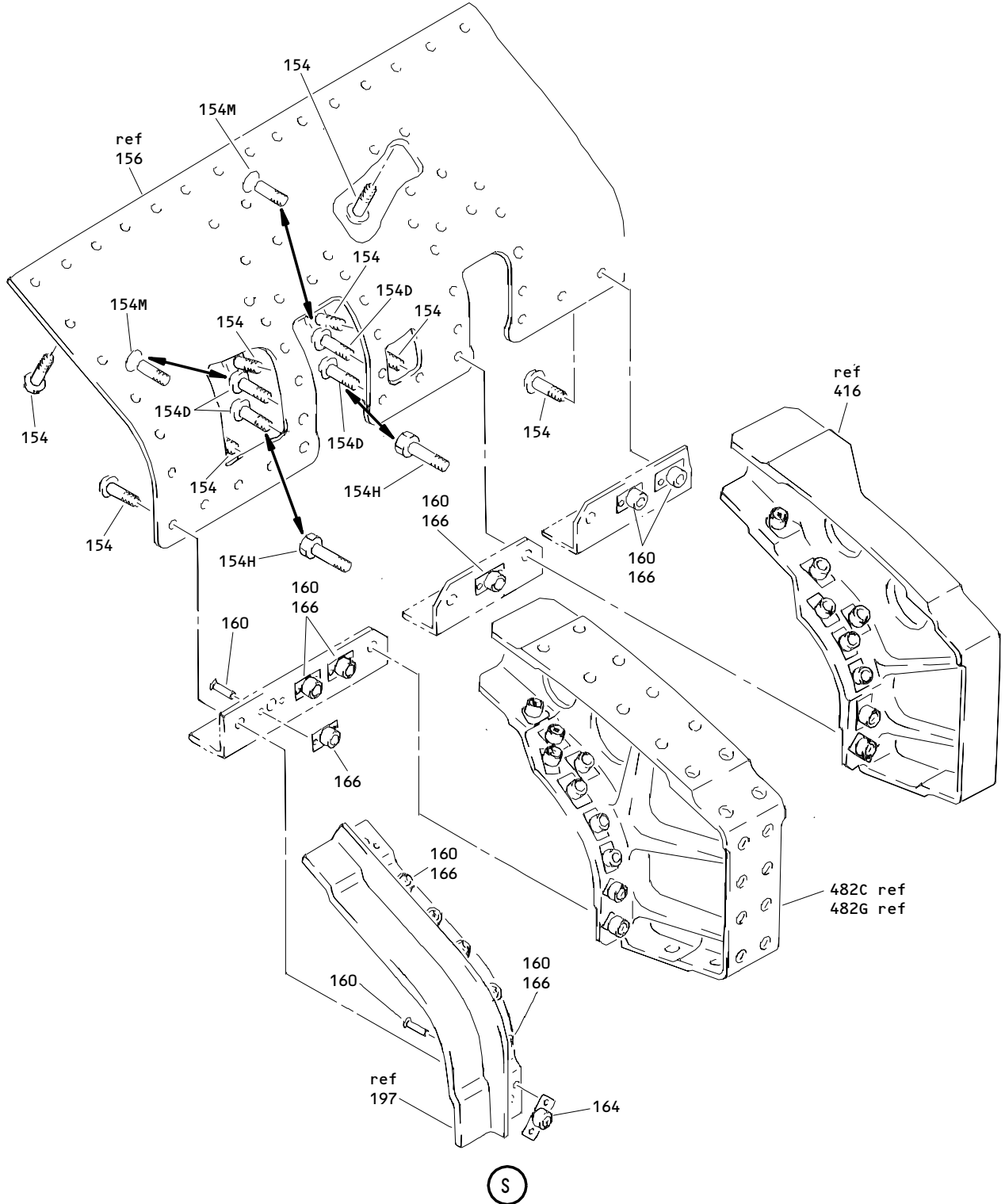


Outboard Slat No. 2 and No. 11 Wing Leading Edge Structure Assembly  
Figure 3 (Sheet 11)

**57-43-45**

ILLUSTRATED PARTS LIST  
01.1 Page 1050G  
Nov 01/00



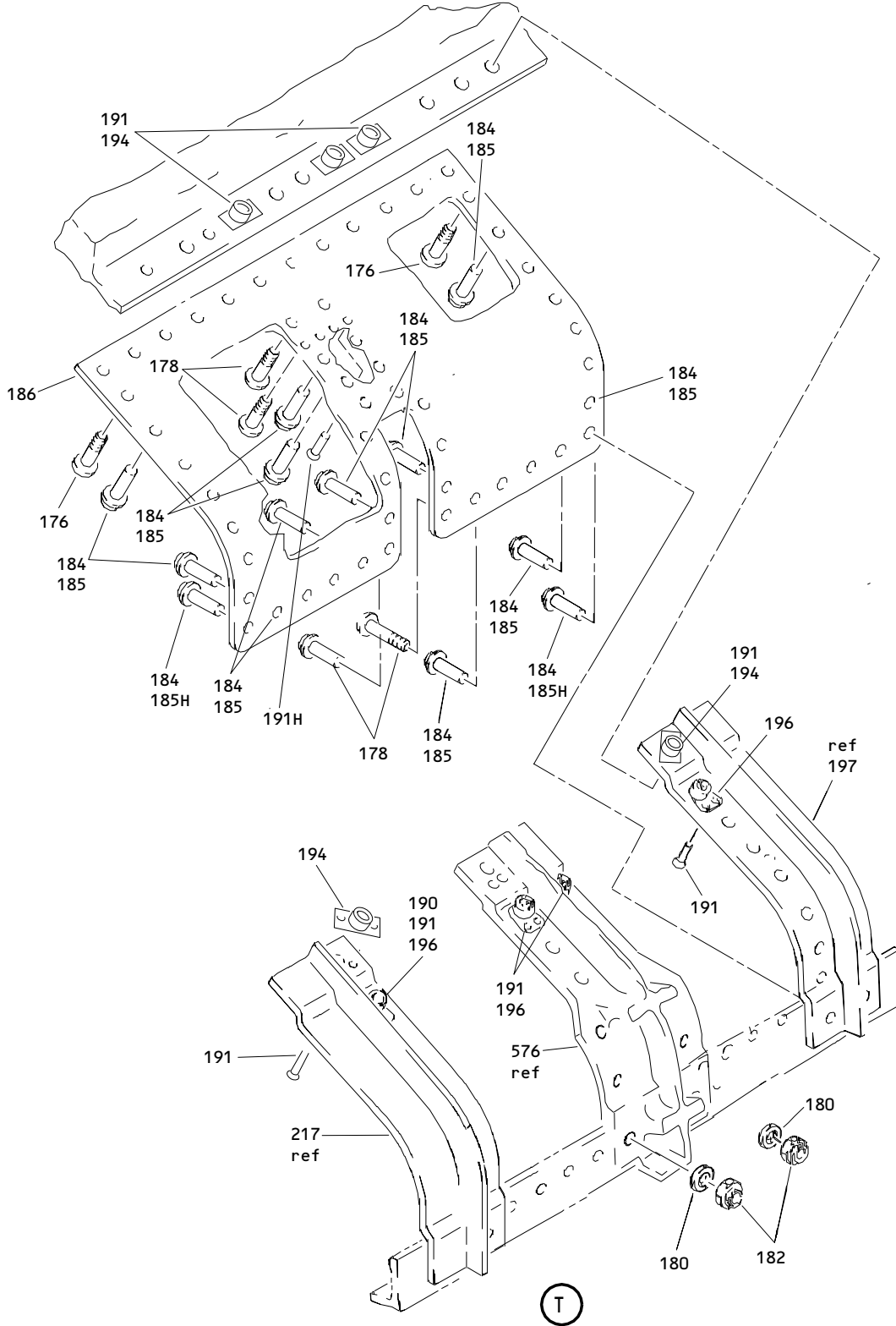


Outboard Slat No. and No. 11 Wing Leading Edge Structure Assembly  
 Figure 3 (Sheet 12)

**57-43-45**

ILLUSTRATED PARTS LIST  
 01.1 Page 1050H  
 Nov 01/00

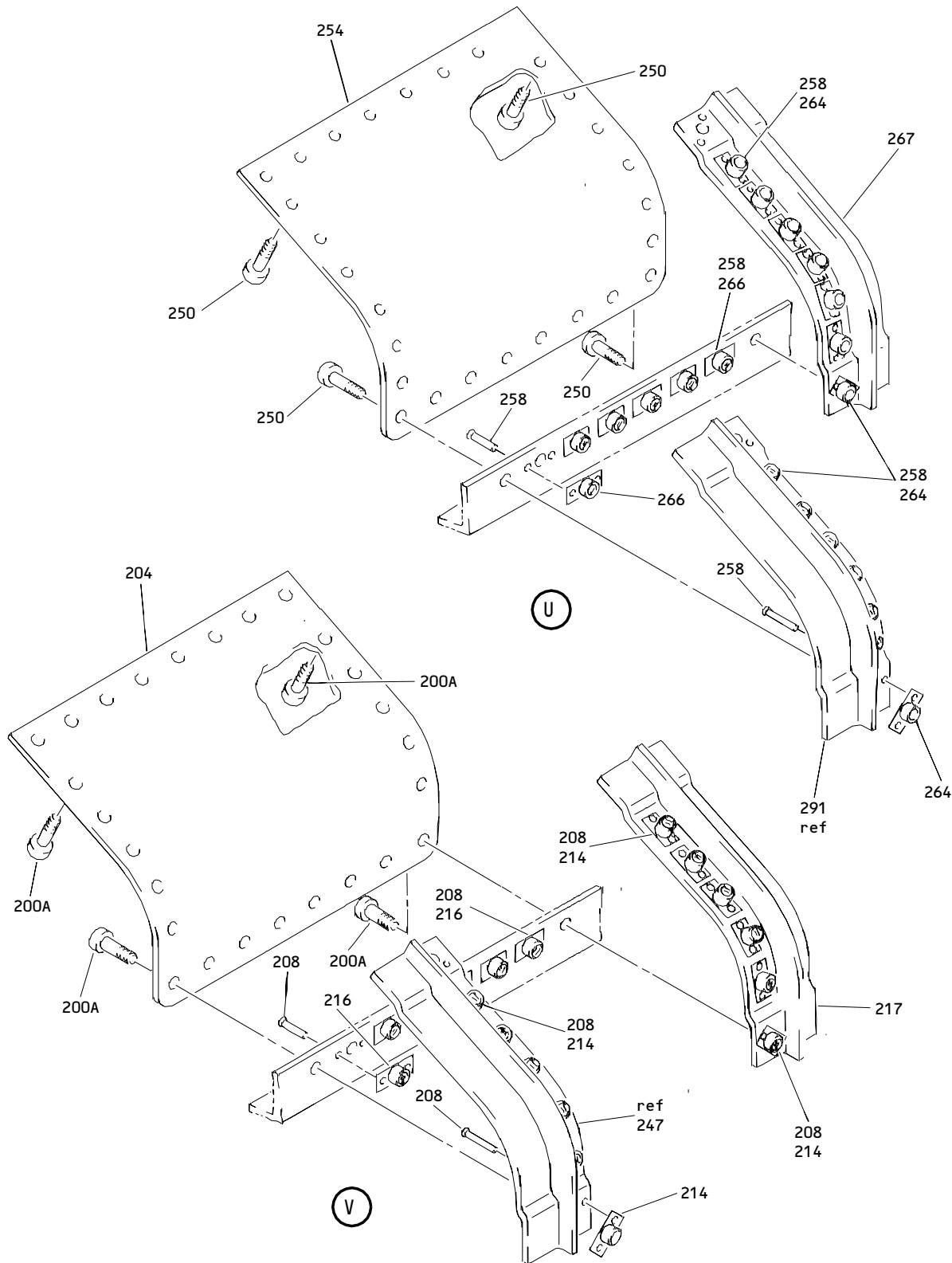
014847



Outboard Slat No. 2 and 11 Wing Leading Edge Structure Assembly  
Figure 3 (Sheet 13)

**57-43-45**

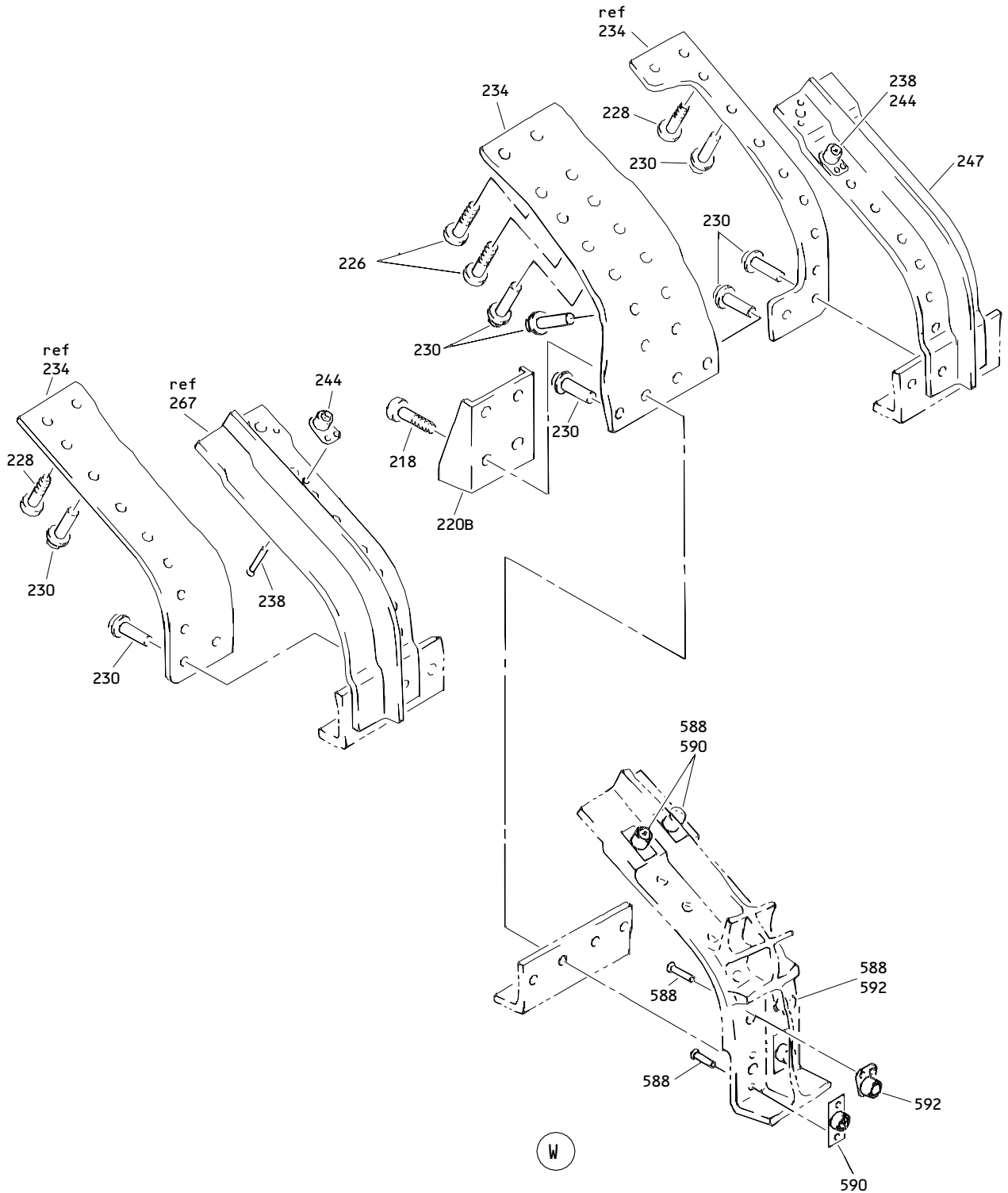
ILLUSTRATED PARTS LIST  
01.1 Page 1050I  
Nov 01/00



Outboard Slat No. 2 and No. 11 Wing Leading Edge Structure Assembly  
 Figure 3 (Sheet 14)

**57-43-45**

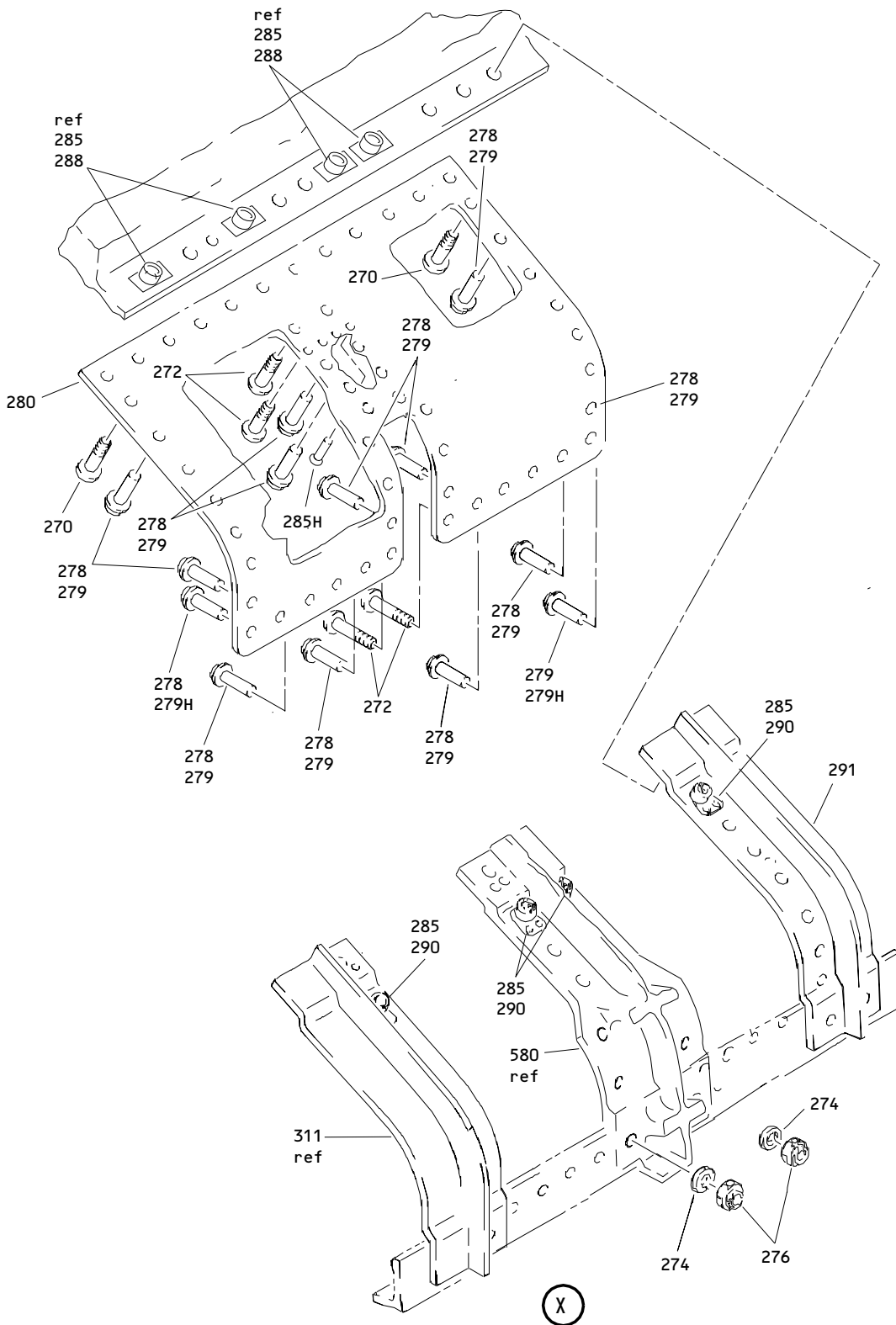
ILLUSTRATED PARTS LIST  
 01.1 Page 1050J  
 Nov 01/00



Outboard Slat No. 2 and No. 11 Wing Leading Edge Structure Assembly  
Figure 3 (Sheet 15)

**57-43-45**

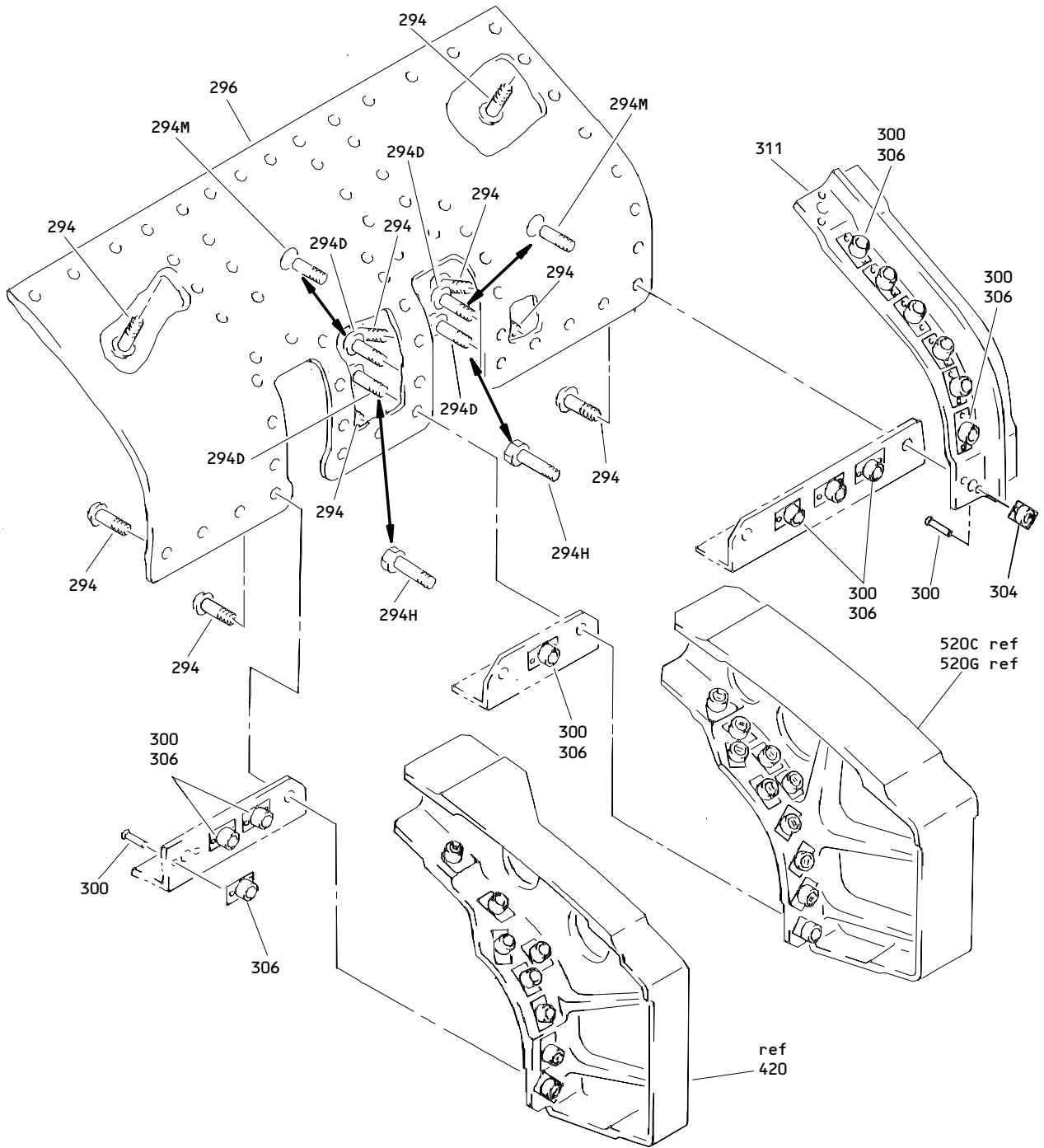
ILLUSTRATED PARTS LIST  
01.1 Page 1050K  
Nov 01/00



Outboard Slat No. 2 and 11 Wing Leading Edge Structure Assembly  
 Figure 3 (Sheet 16)

**57-43-45**

ILLUSTRATED PARTS LIST  
 01.1 Page 1050L  
 Nov 01/00

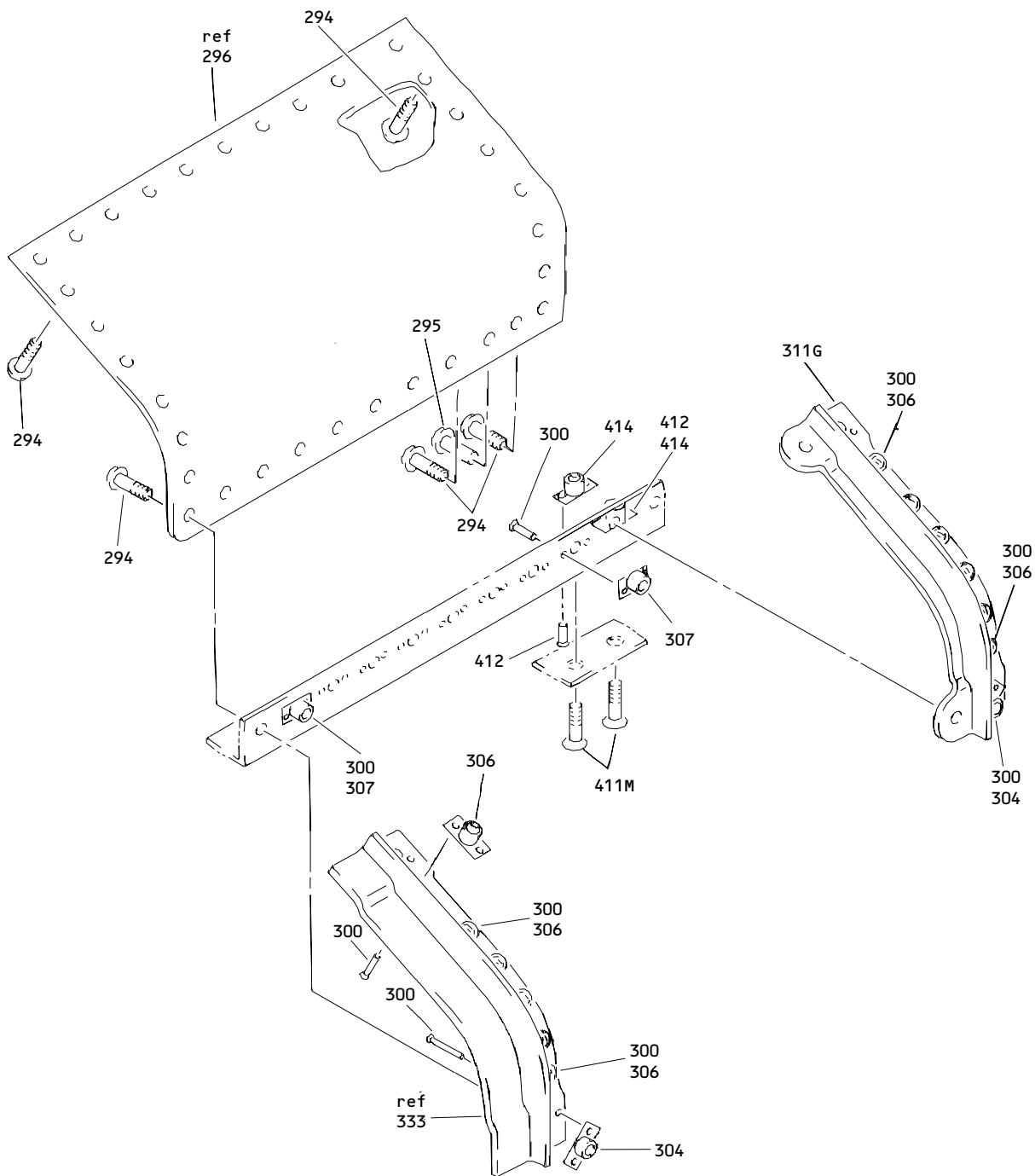


Y

Outboard Slat No. 2 and No. 11 Wing Leading Edge Structure Assembly  
Figure 3 (Sheet 17)

**57-43-45**

ILLUSTRATED PARTS LIST  
01.1 Page 1050M  
Nov 01/00

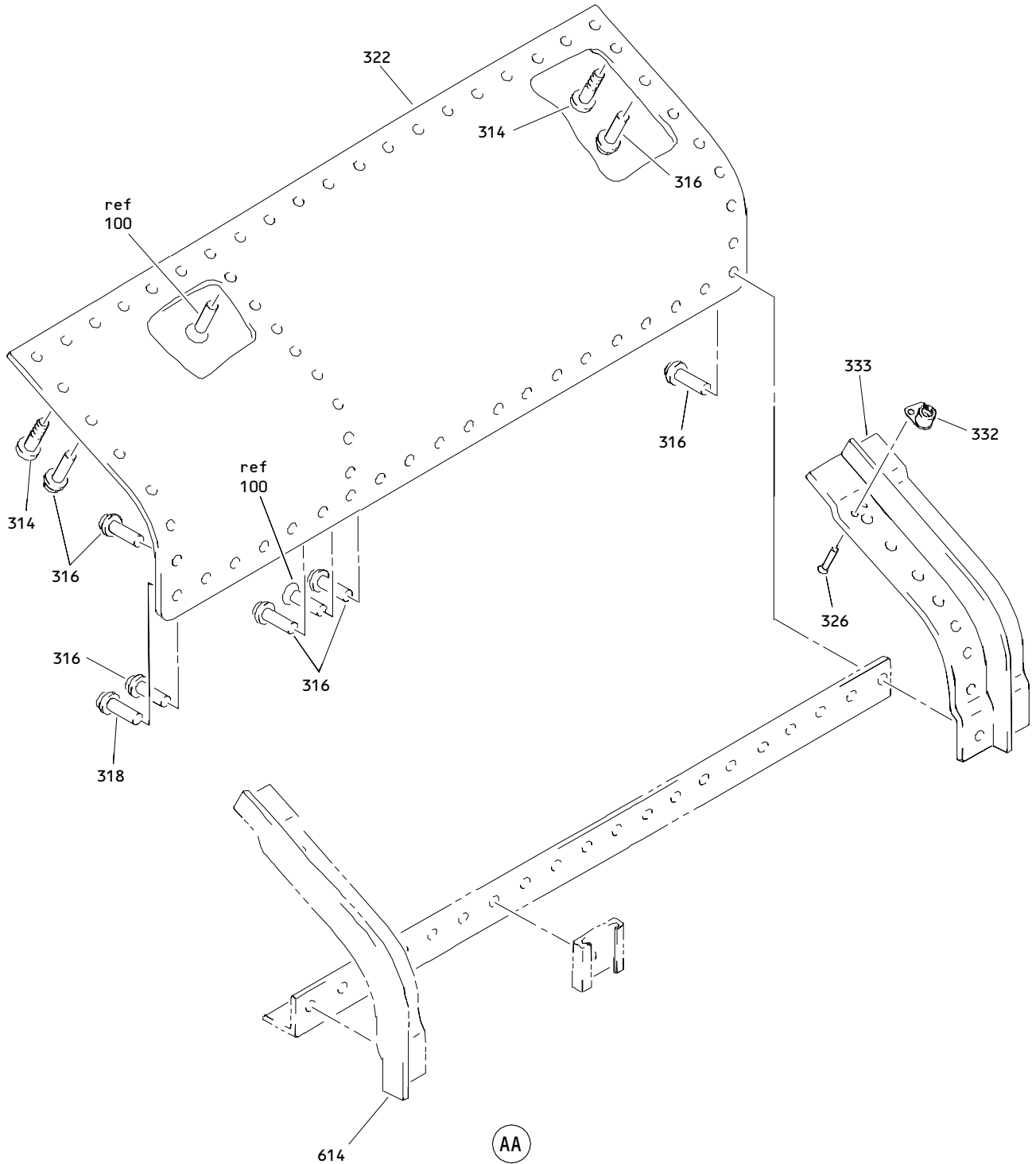


(Z)

Outboard Slat No. 2 and No. 11 Wing Leading Edge Structure Assembly  
 Figure 3 (Sheet 18)

**57-43-45**

ILLUSTRATED PARTS LIST  
 01.1 Page 1050N  
 Nov 01/00

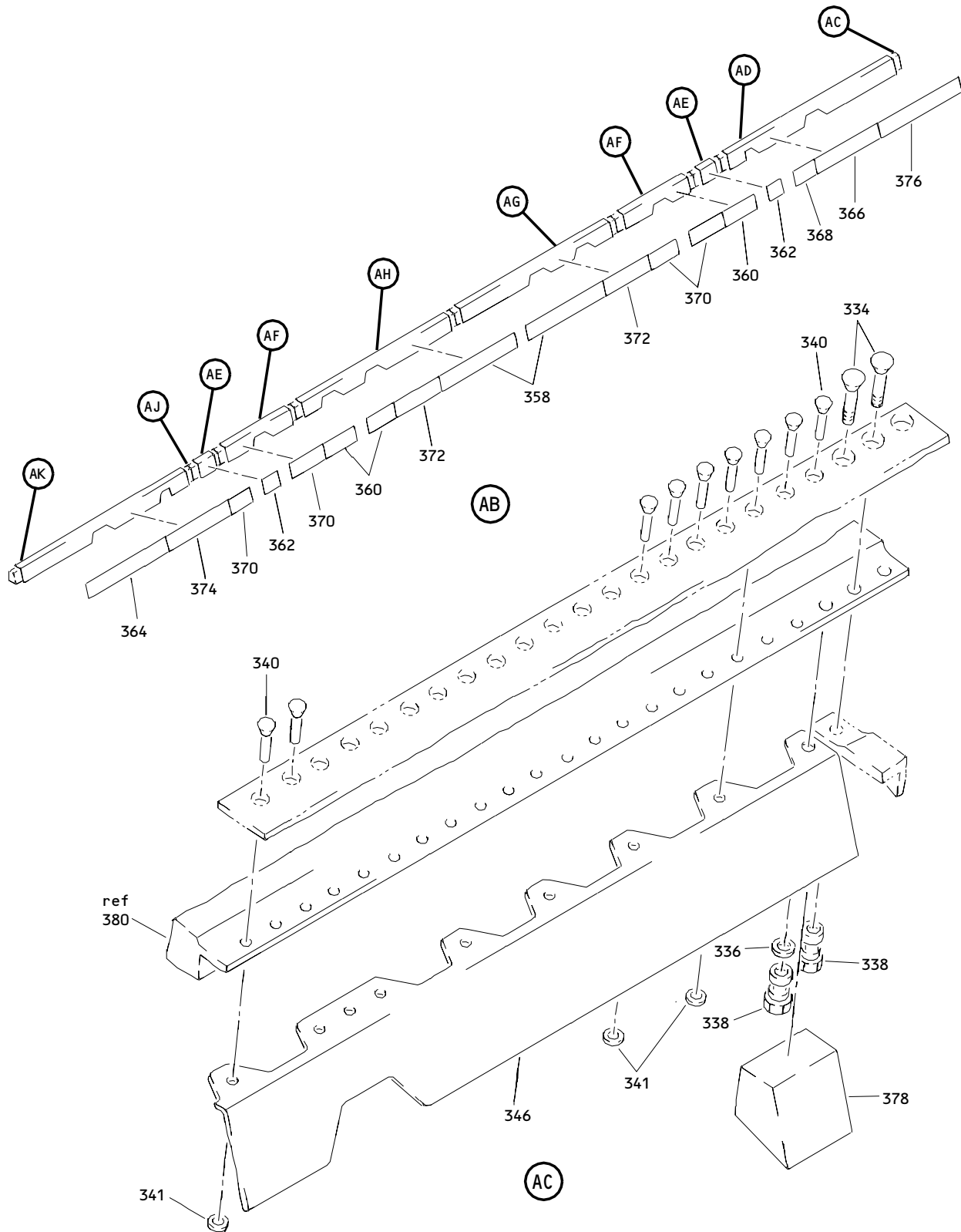


Outboard Slat No. 2 and No. 11 Wing Leading Edge Structure Assembly  
Figure 3 (Sheet 19)

**57-43-45**

ILLUSTRATED PARTS LIST  
01.1 Page 10500  
Nov 01/00

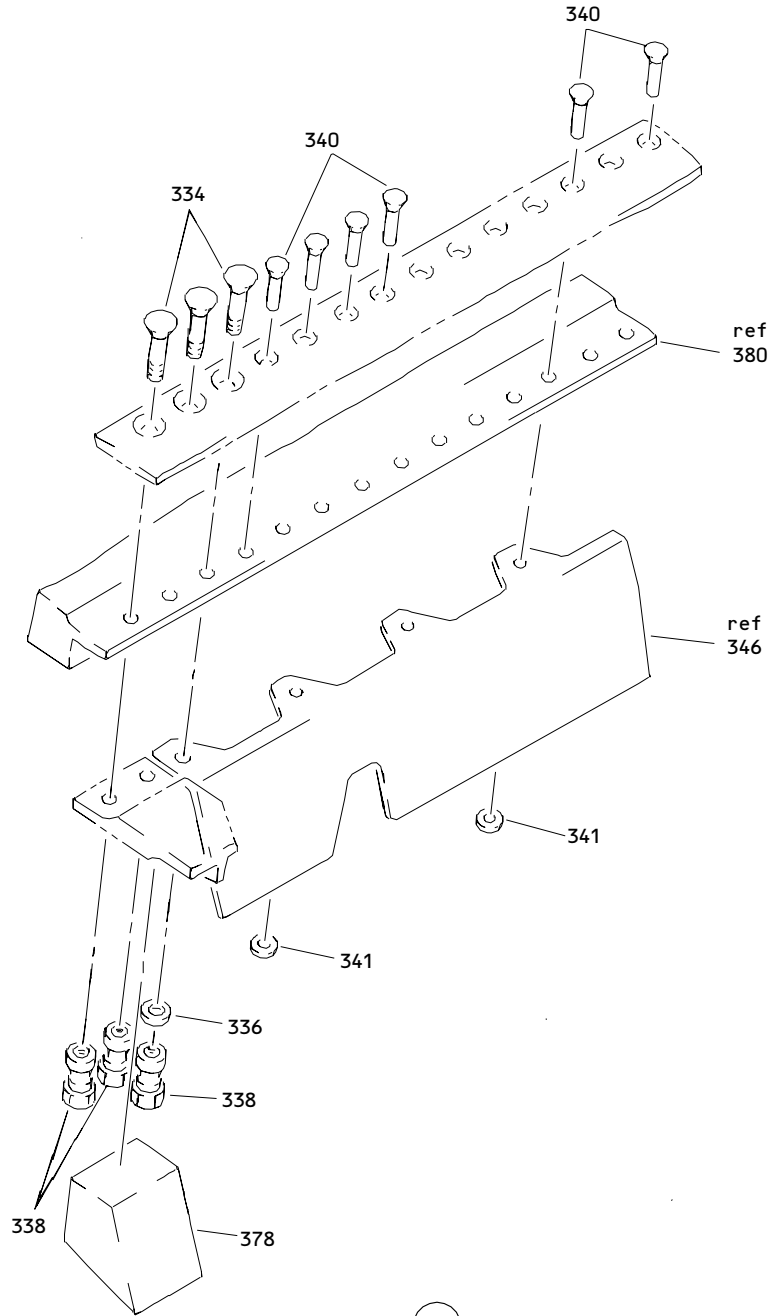




Outboard Slat No. 2 and No. 11 Wing Leading Edge Structure Assembly  
 Figure 3 (Sheet 20)

**57-43-45**

ILLUSTRATED PARTS LIST  
 01.1 Page 1050P  
 Nov 01/00

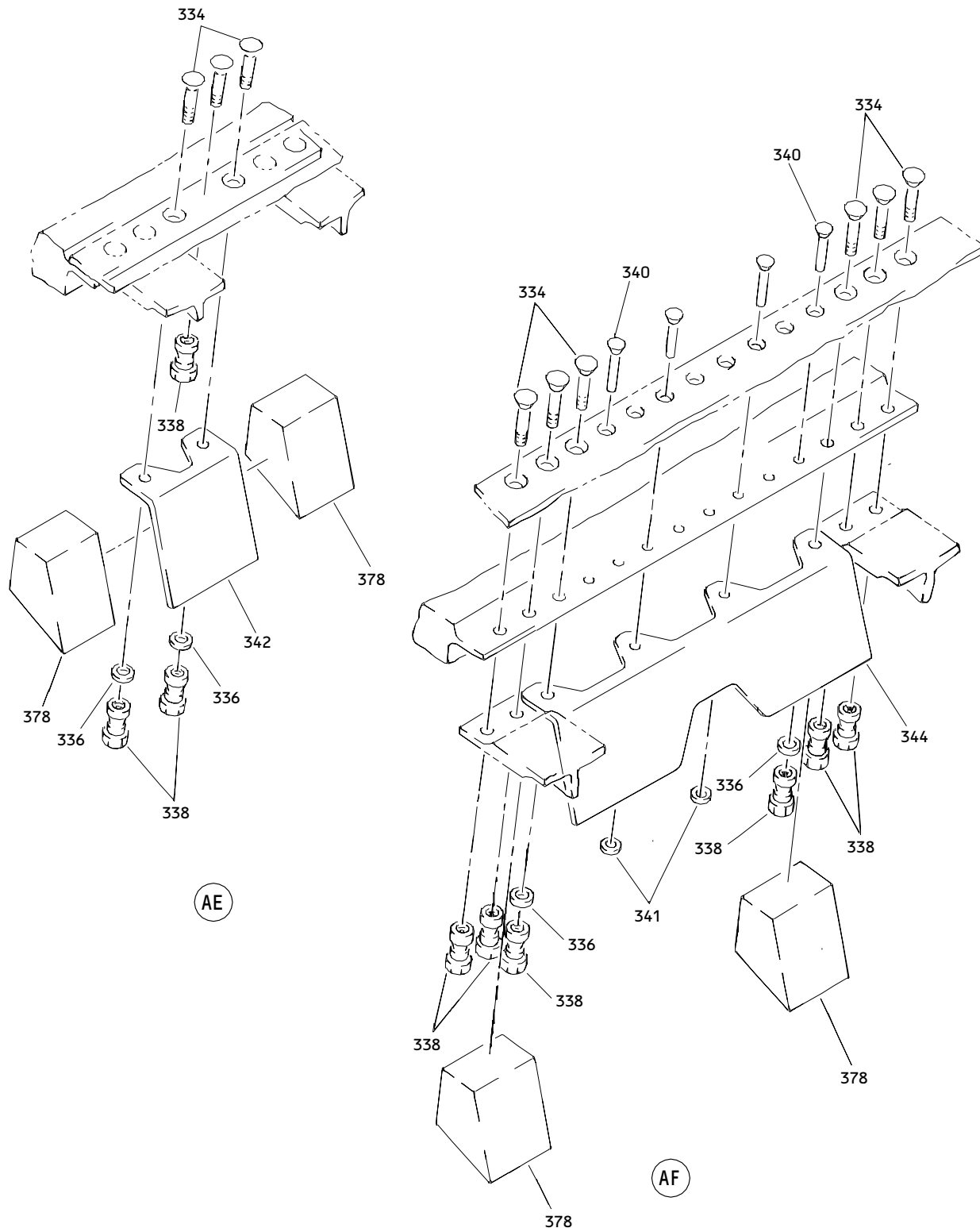


AD

Outboard Slat No. 2 and No. 11 Wing Leading Edge Structure Assembly  
Figure 3 (Sheet 21)

**57-43-45**

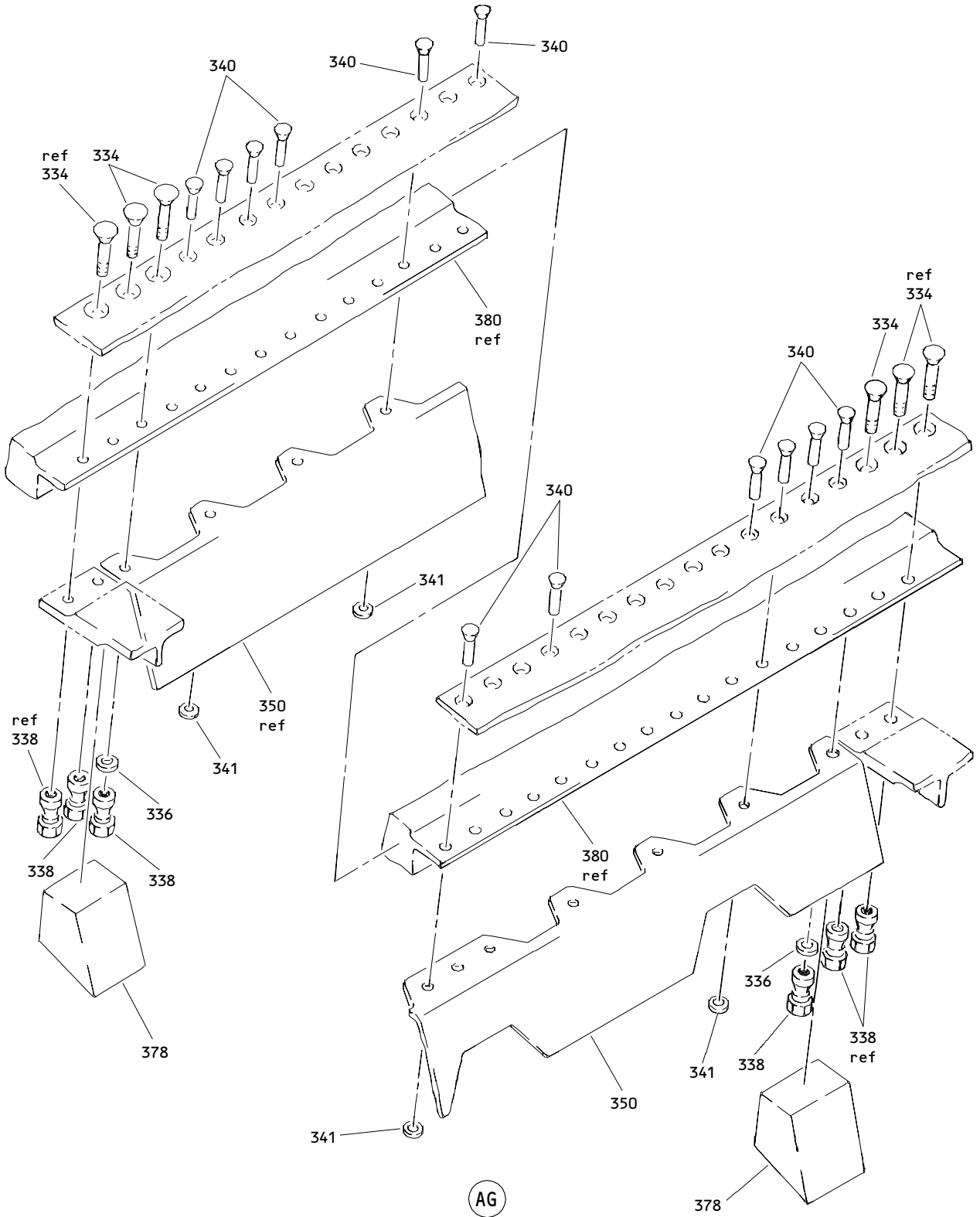
ILLUSTRATED PARTS LIST  
01.1 Page 1050Q  
Nov 01/00



Outboard Slat No. 2 and No. 11 Wing Leading Edge Structure Assembly  
 Figure 3 (Sheet 22)

**57-43-45**

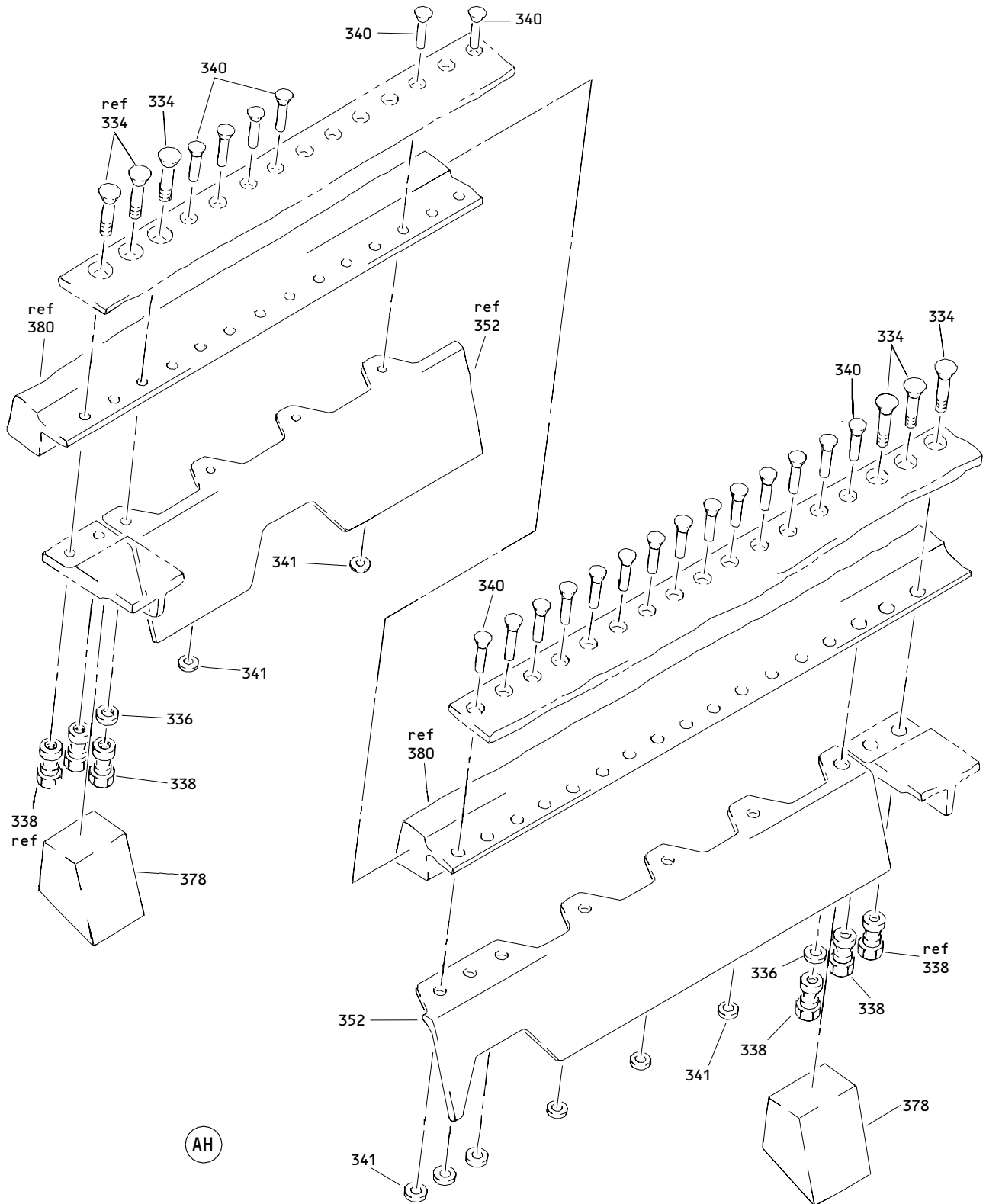
ILLUSTRATED PARTS LIST  
 01.1 Page 1050R  
 Nov 01/00



Outboard Slat No. 2 and No. 11 Wing Leading Edge Structure Assembly  
Figure 3 (Sheet 23)

**57-43-45**

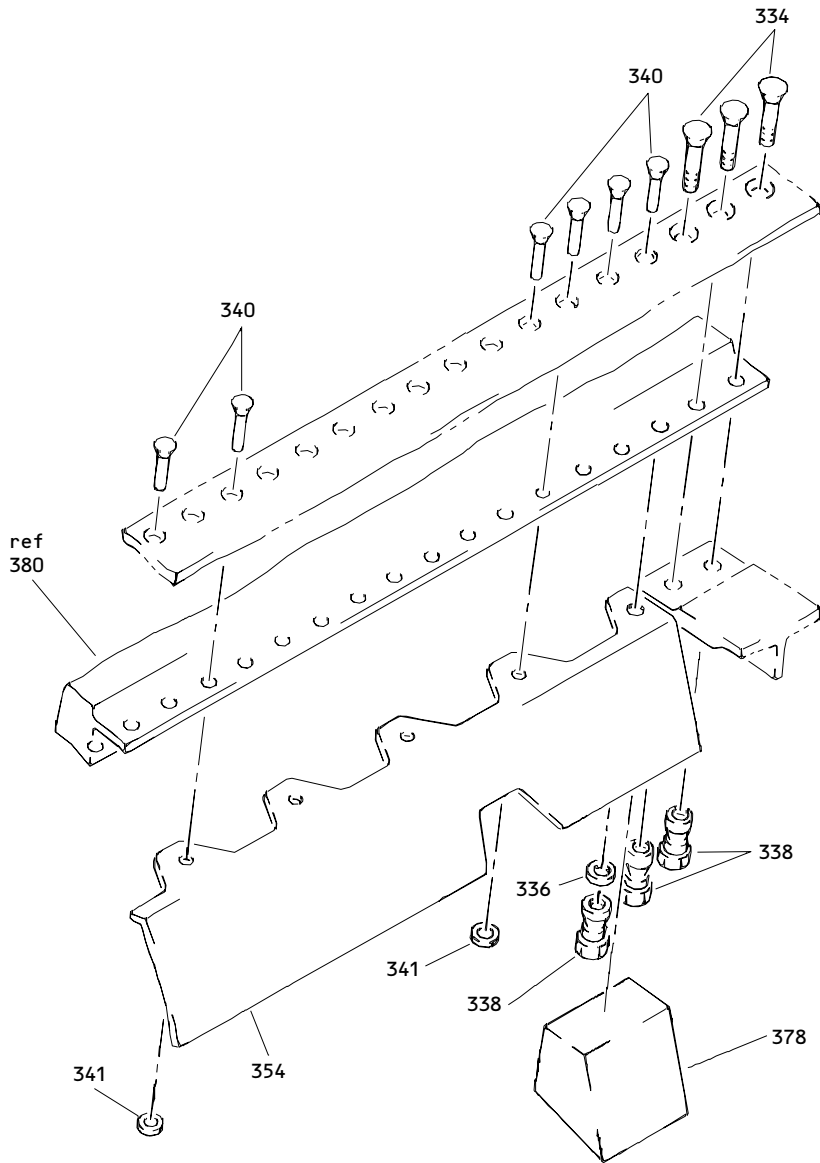
ILLUSTRATED PARTS LIST  
01.1 Page 1050S  
Nov 01/00



Outboard Slat No. 2 and No. 11 Wing Leading Edge Structure Assembly  
 Figure 3 (Sheet 24)

**57-43-45**

ILLUSTRATED PARTS LIST  
 01.1 Page 1050T  
 Nov 01/00

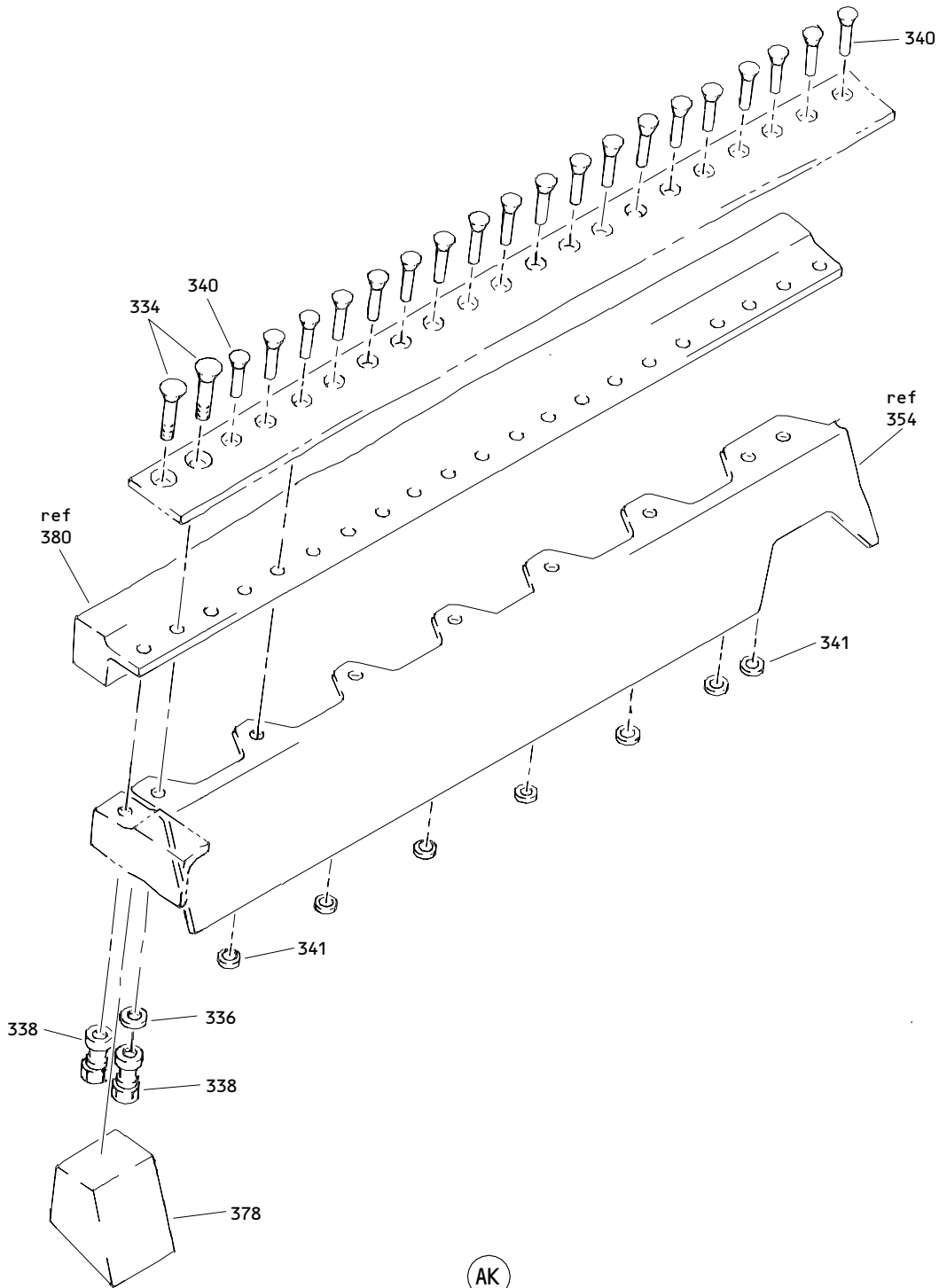


AJ

Outboard Slat No. 2 and No. 11 Wing Leading Edge Structure Assembly  
Figure 3 (Sheet 25)

**57-43-45**

ILLUSTRATED PARTS LIST  
01.1 Page 1050U  
Nov 01/00

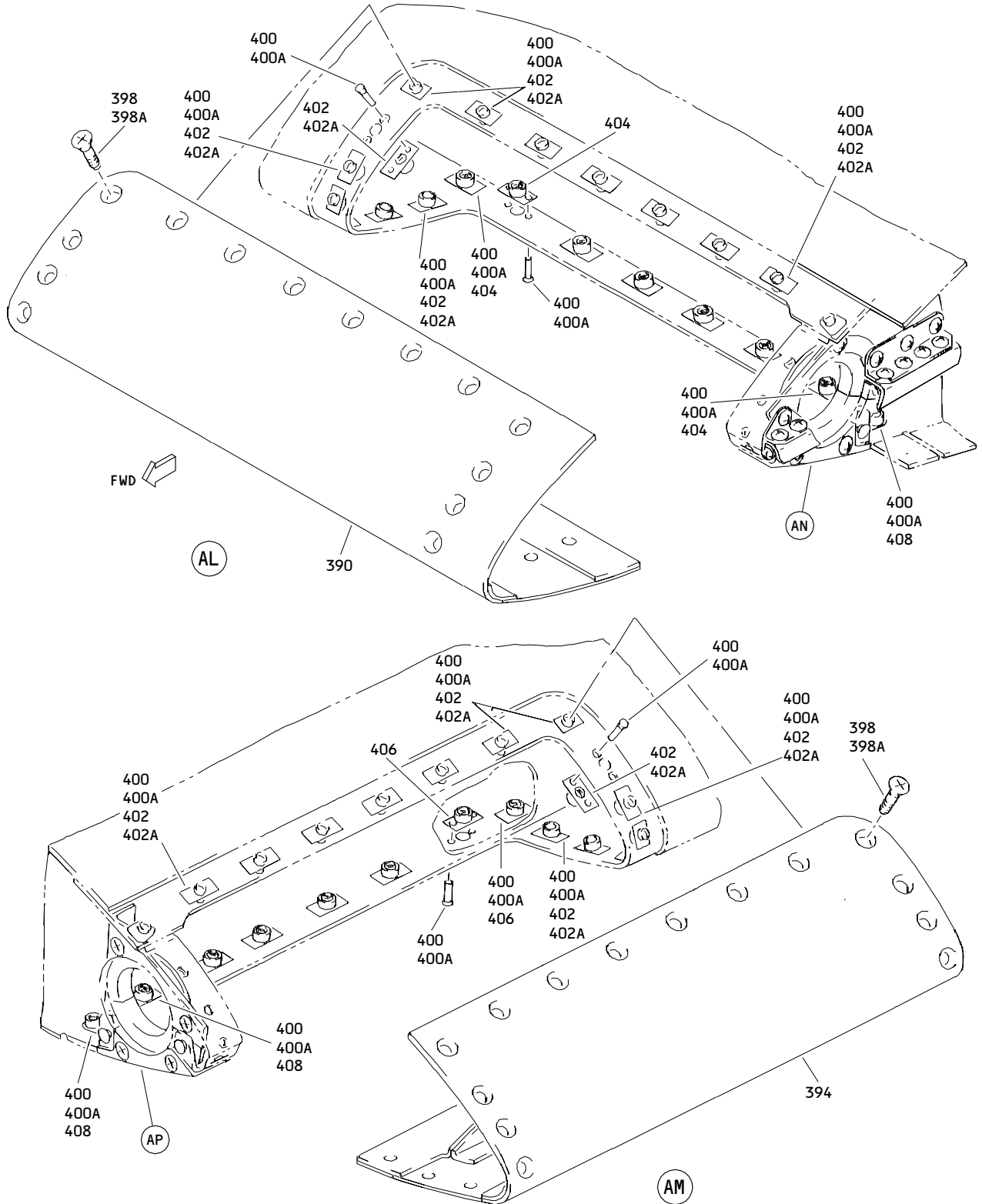


Outboard Slat No. 2 and No. 11 Wing Leading Edge Structure Assembly  
 Figure 3 (Sheet 26)

**57-43-45**

ILLUSTRATED PARTS LIST  
 01.1 Page 1050V  
 Nov 01/00

T77601

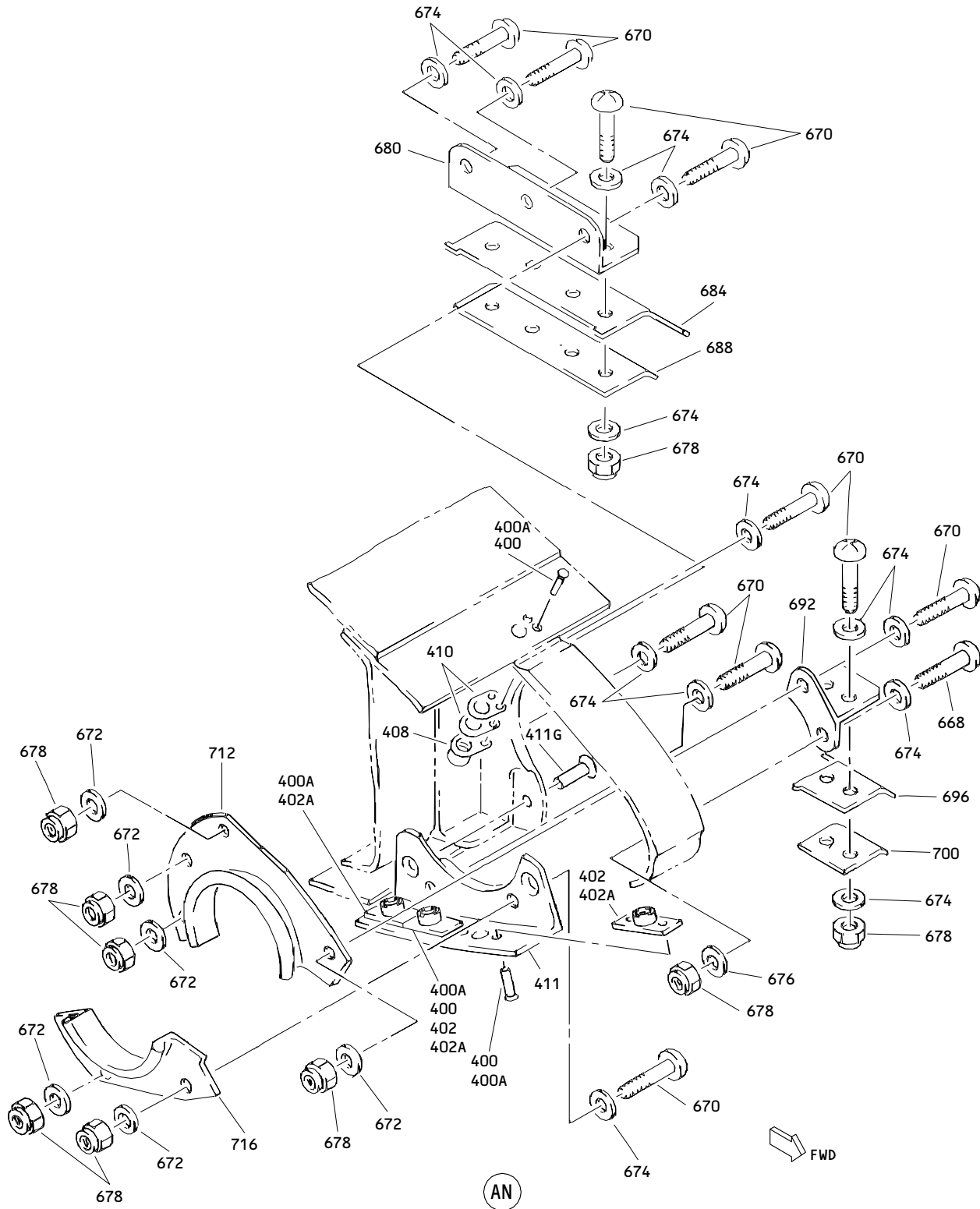


Outboard Slat No. 2 and No. 11 Wing Leading Edge Structure Assembly  
 Figure 3 (Sheet 27)

**57-43-45**

ILLUSTRATED PARTS LIST  
 01.1 Page 1050W  
 Nov 01/00

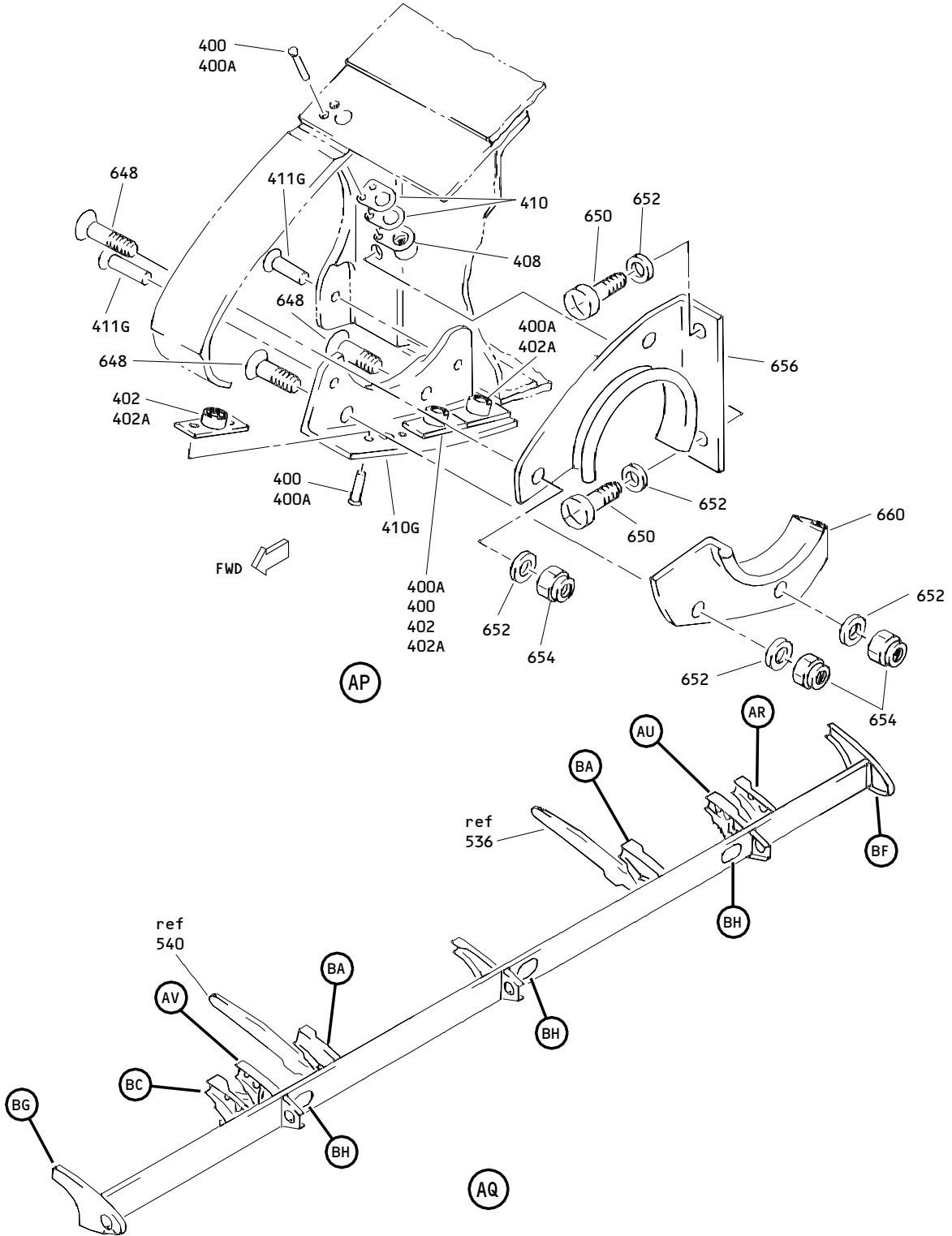




Outboard Slat No. 2 and No. 11 Wing Leading Edge Structure Assembly  
 Figure 3 (Sheet 28)

**57-43-45**

ILLUSTRATED PARTS LIST  
 01.1 Page 1050X  
 Nov 01/00

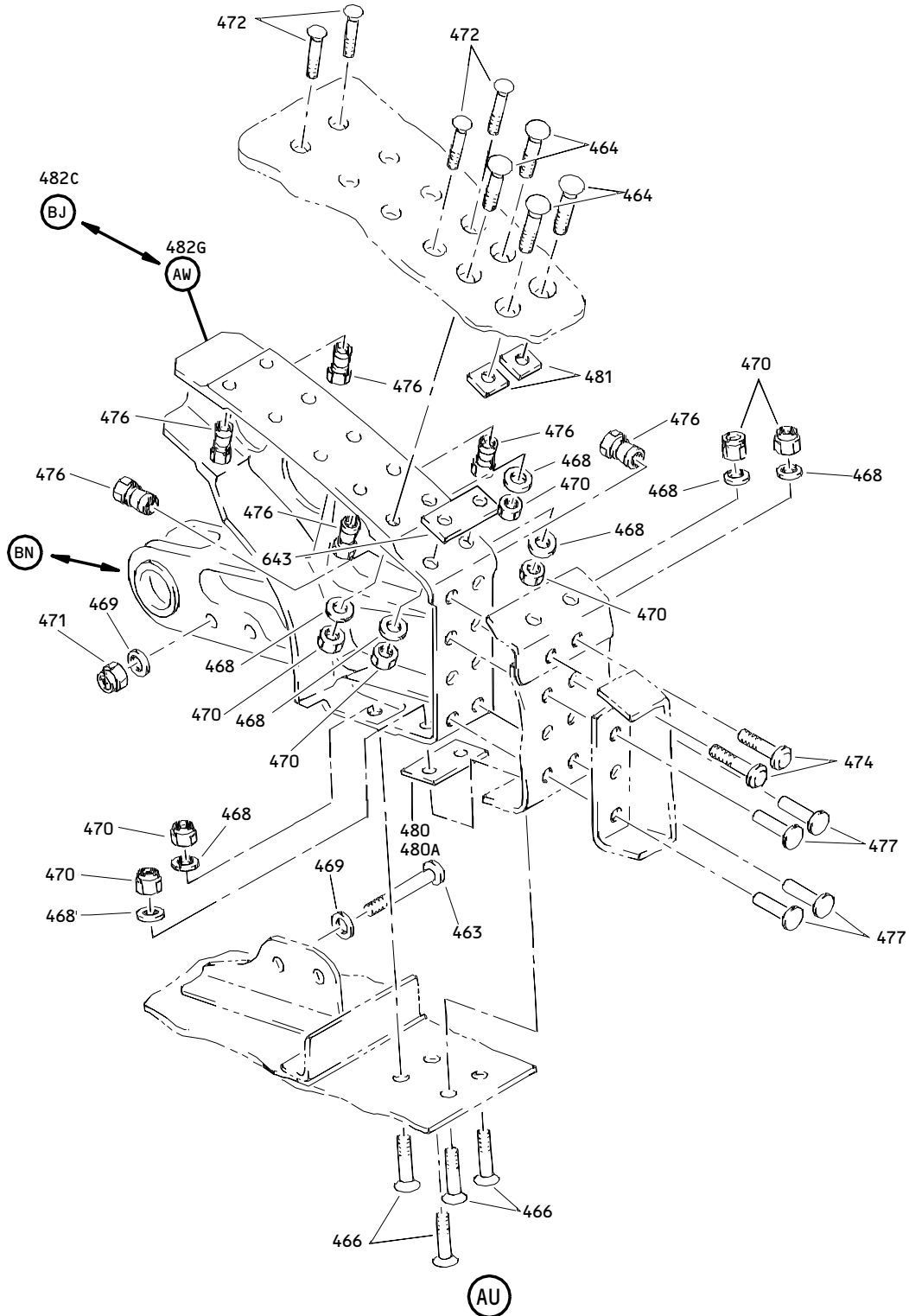


Outboard Slat No. 2 and No. 11 Wing Leading Edge Structure Assembly  
 Figure 3 (Sheet 29)

**57-43-45**

ILLUSTRATED PARTS LIST  
 01.1 Page 1050Y  
 Nov 01/00

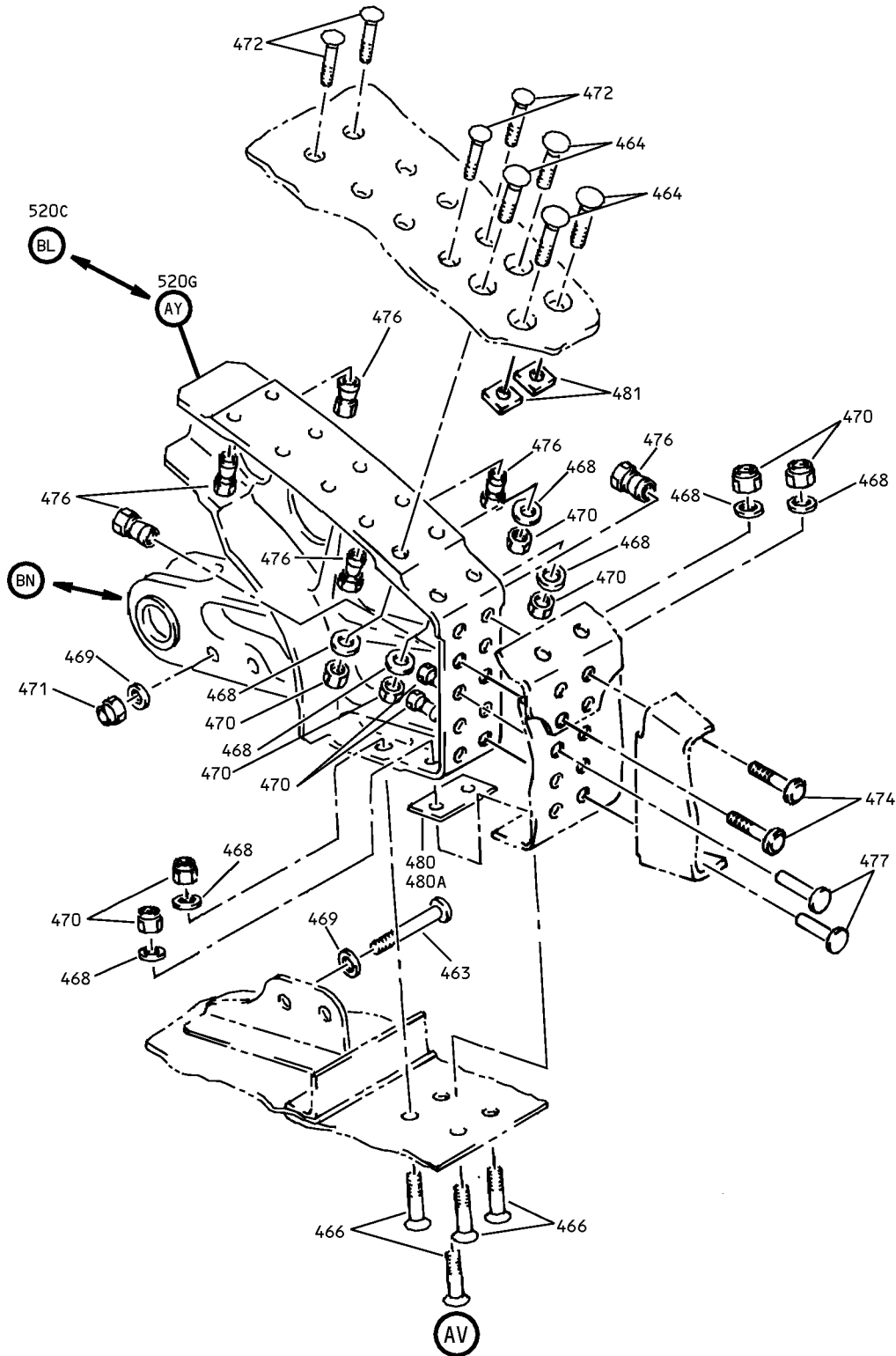




Outboard Slat No. 2 and No. 11 Wing Leading Edge Structure Assembly  
Figure 3 (Sheet 31)

**57-43-45**

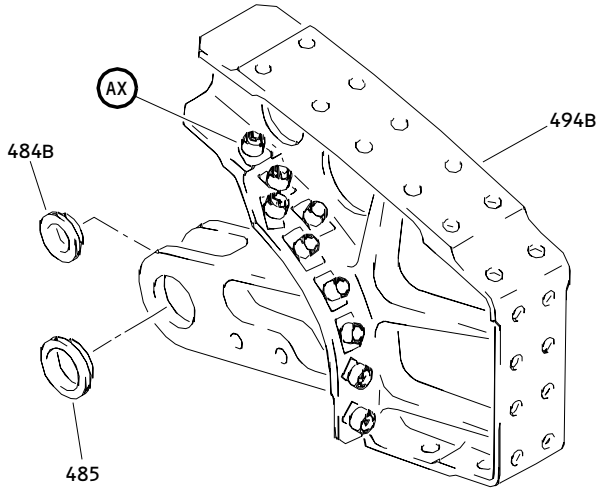
ILLUSTRATED PARTS LIST  
01.1 Page 1051  
Nov 01/00



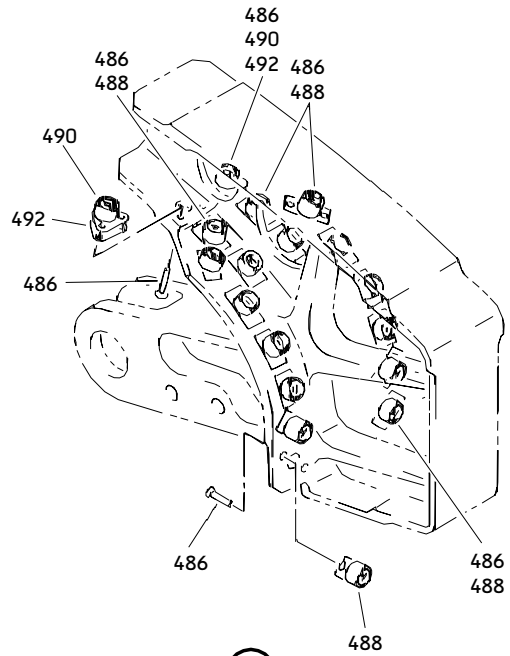
Outboard Slat No. 2 and No. 11 Wing Leading Edge Structure Assembly  
Figure 3 (Sheet 32)

**57-43-45**

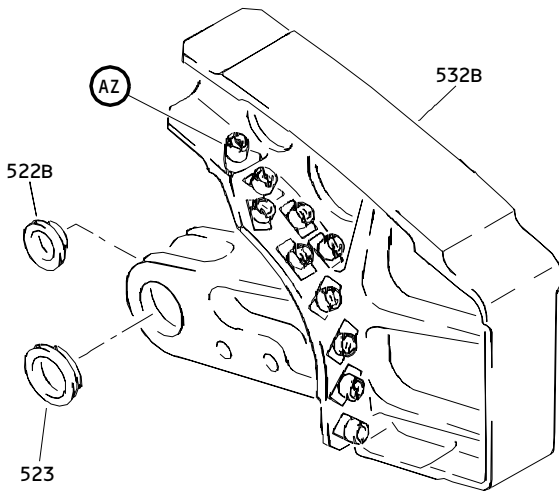
ILLUSTRATED PARTS LIST  
01.1 Page 1052  
Nov 01/00



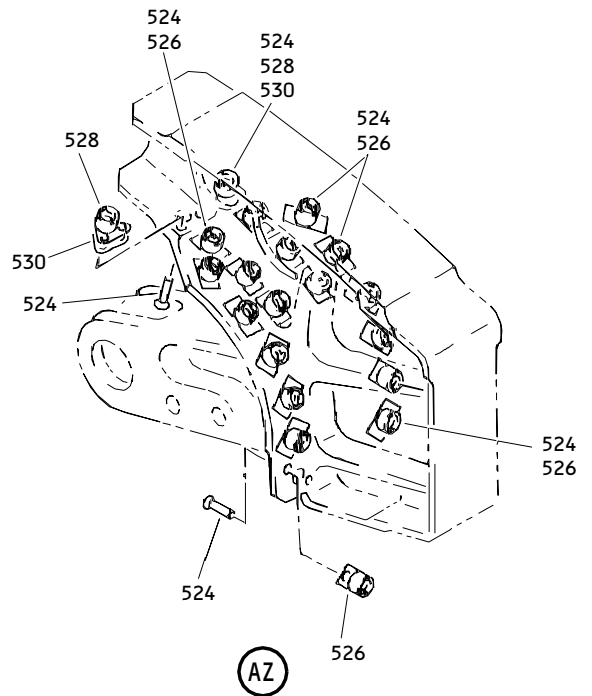
(AW)



(AX)



(AY)



(AZ)

Outboard Slat No. 2 and No. 11 Wing Leading Edge Structure Assembly  
 Figure 3 (Sheet 33)

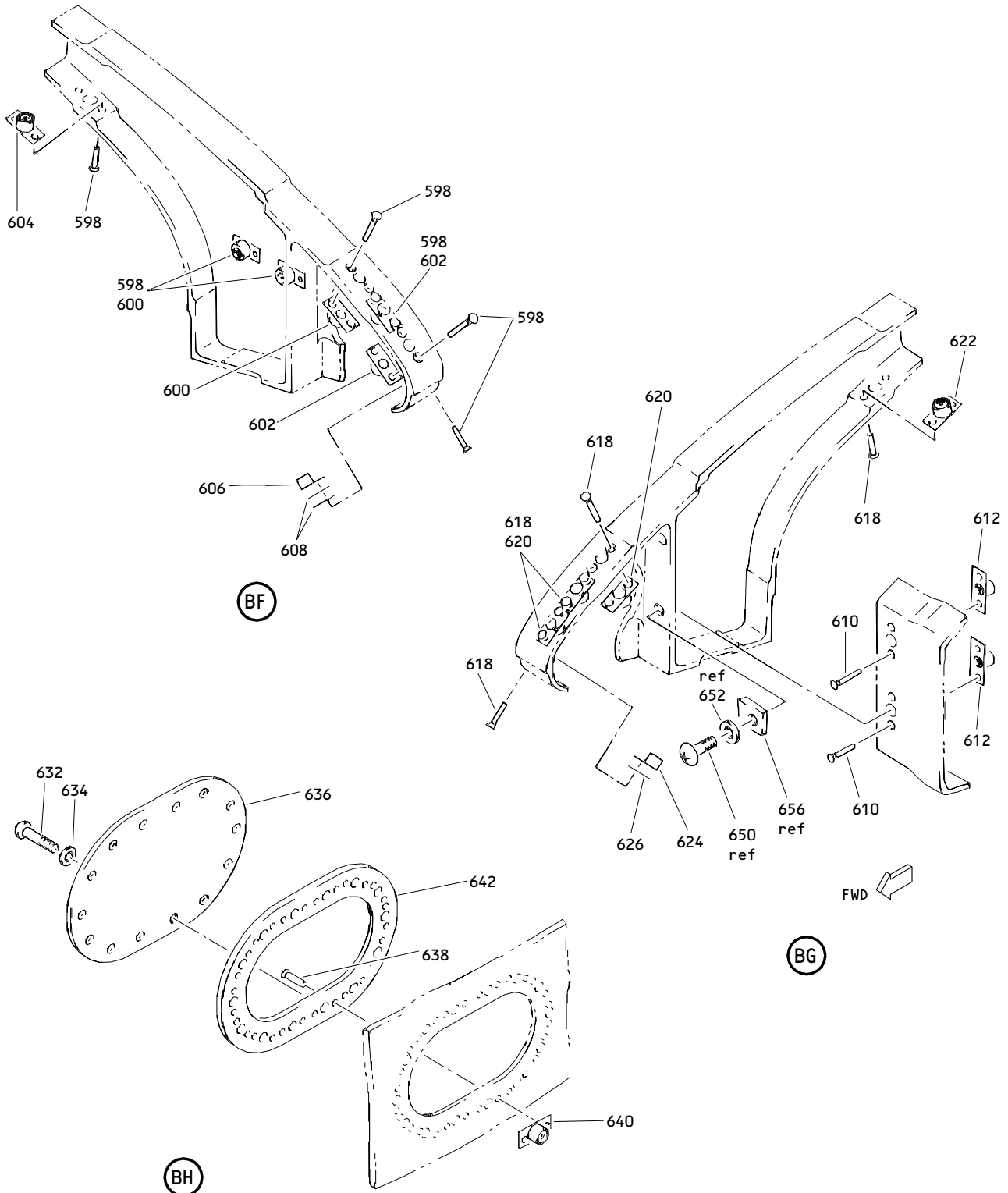
**57-43-45**

ILLUSTRATED PARTS LIST  
 01.1 Page 1052A  
 Nov 01/00





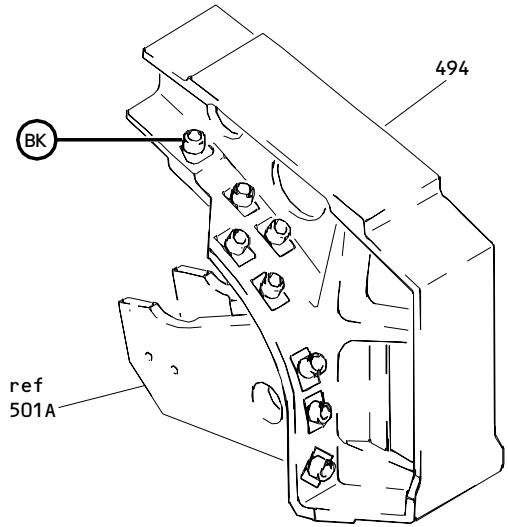




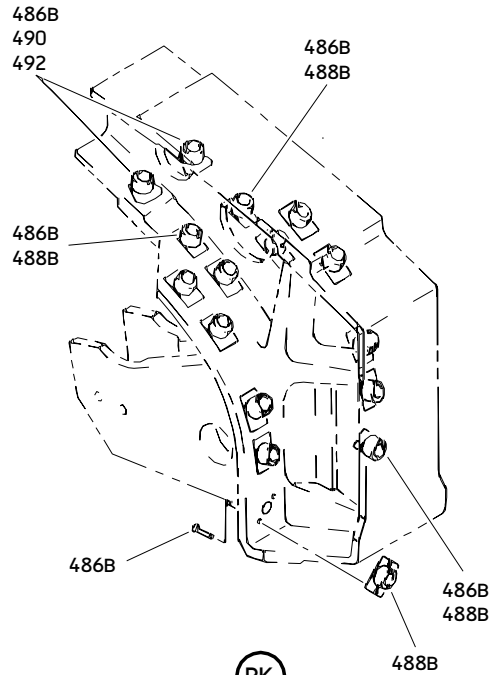
Outboard Slat No. 2 and No. 11 Wing Leading Edge Structure Assembly  
 Figure 3 (Sheet 36)

**57-43-45**

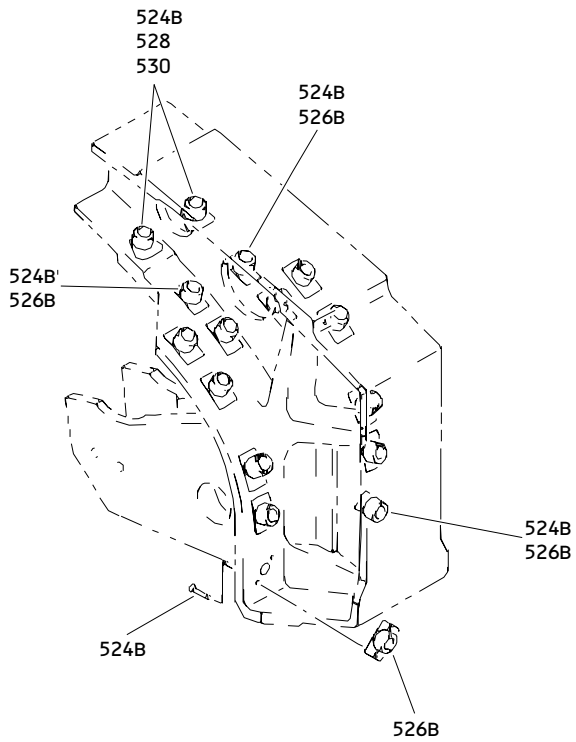
ILLUSTRATED PARTS LIST  
 01.1 Page 1052D  
 Nov 01/00



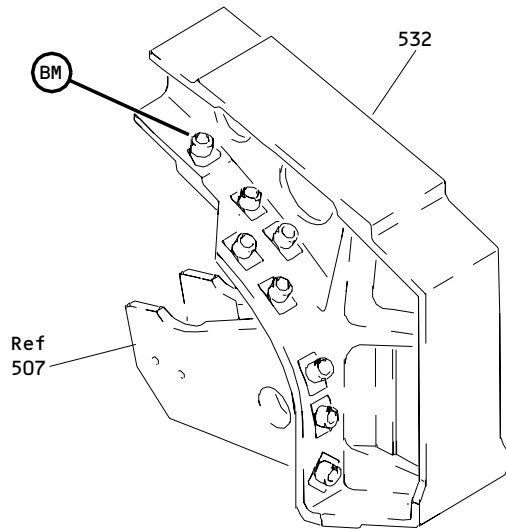
(BJ)



(BK)



(BM)

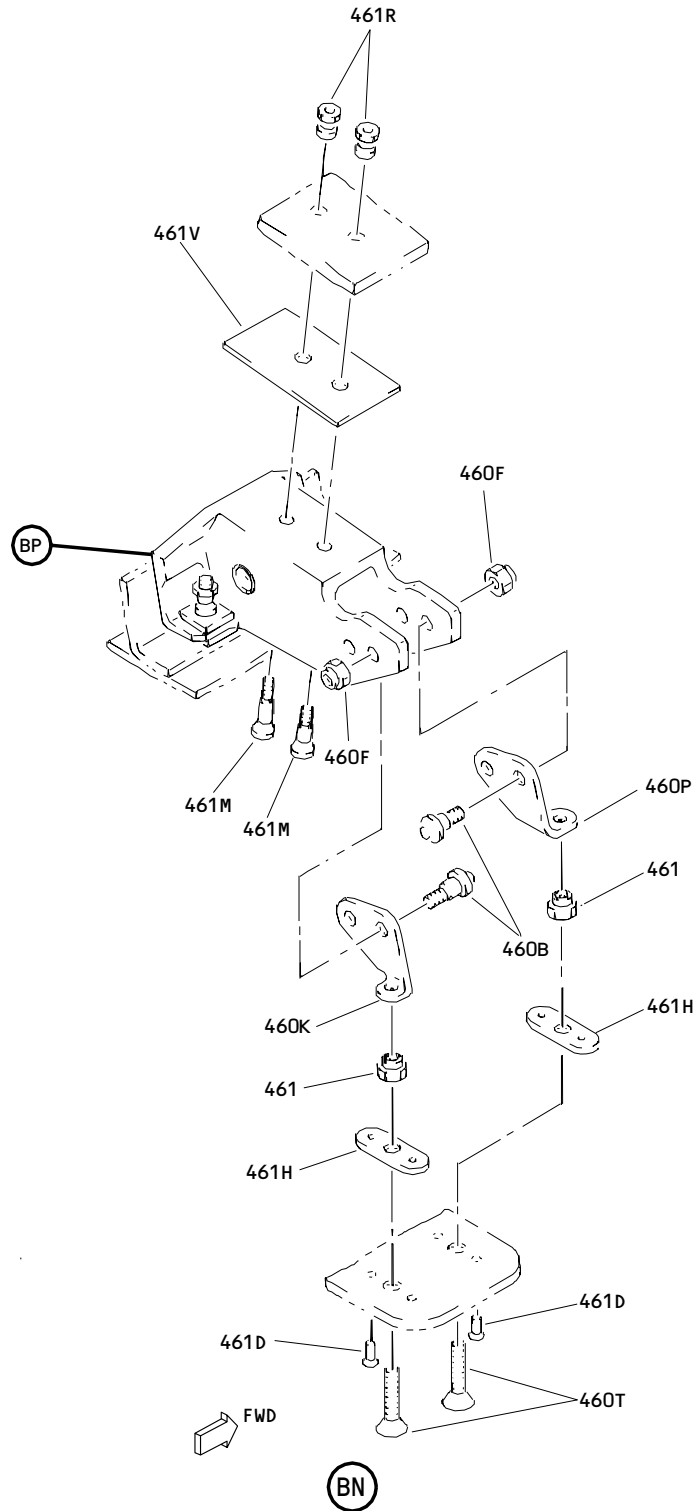


(BL)

Outboard Slat No. 2 and 11 Wing Leading Edge Structure Assembly  
 Figure 3 (Sheet 37)

**57-43-45**

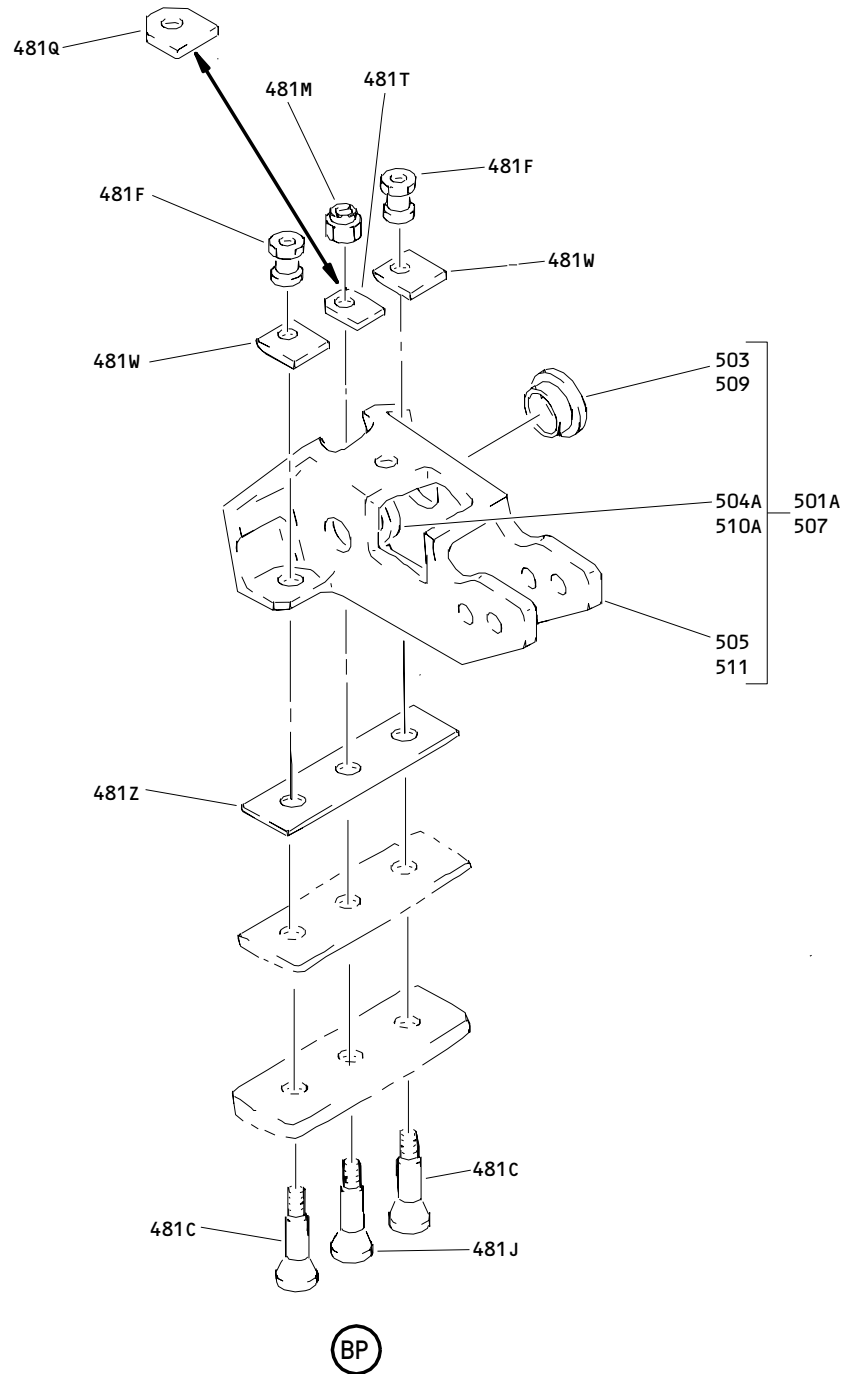
ILLUSTRATED PARTS LIST  
 01.1 Page 1052E  
 Nov 01/00



Outboard Slat No.2 and No.11 Wing Leading Edge Structure Assembly  
 Figure 3 (Sheet 38)

**57-43-45**

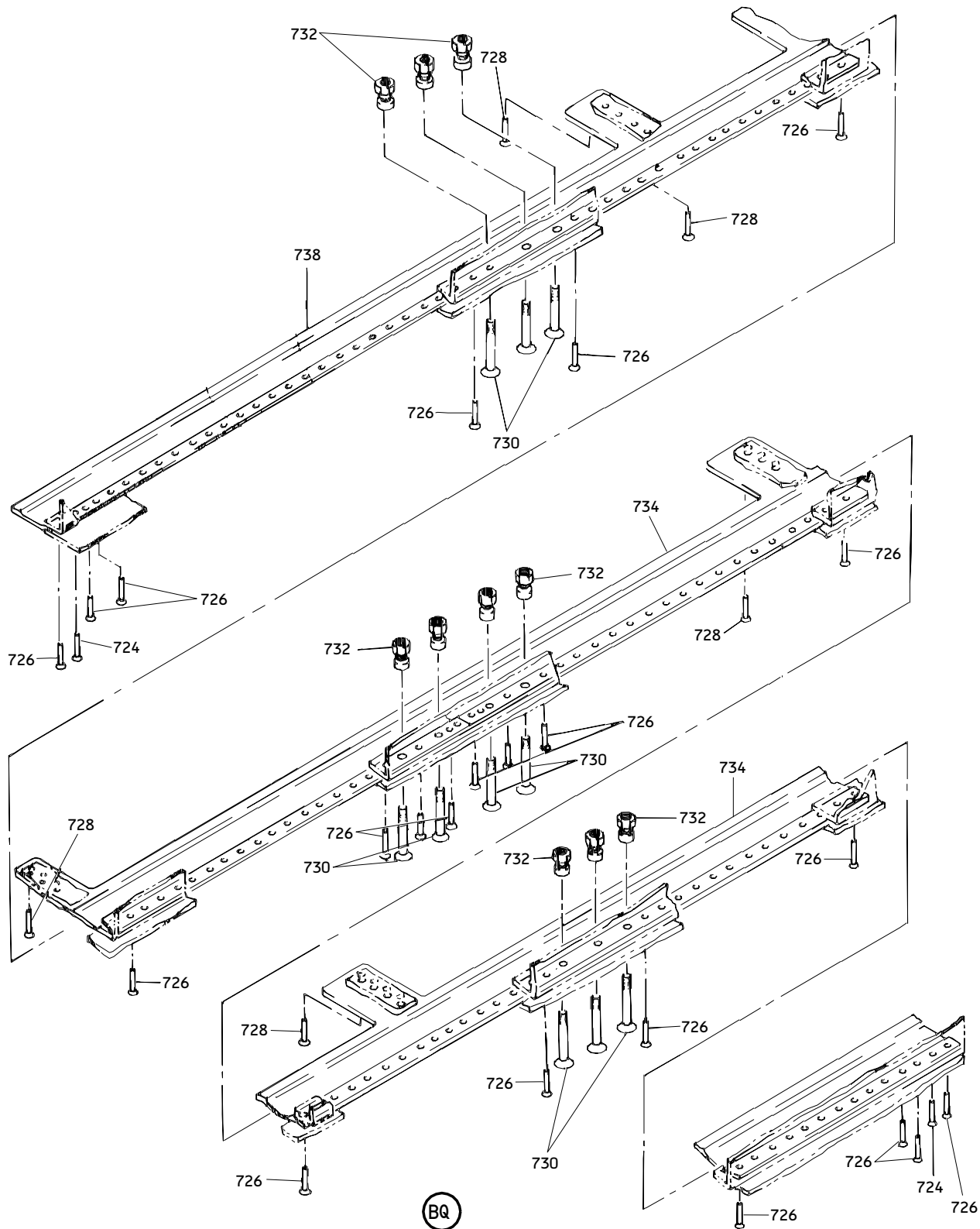
ILLUSTRATED PARTS LIST  
 01.1 Page 1052F  
 Nov 01/00



Outboard Slat No. 2 and No. 11 Wing Leading Edge Structure Assembly  
 Figure 3 (Sheet 39)

**57-43-45**

ILLUSTRATED PARTS LIST  
 01.1 Page 1052G  
 Nov 01/00



Outboard Slat No. 2 and 11 Wing and Leading Edge Structure Assembly  
 Figure 3 (Sheet 40)

**57-43-45**

ILLUSTRATED PARTS LIST  
 01.1 Page 1052H  
 Nov 01/00

114T4102  
 015T0165  
 015T1507  
 DASH NUMBERS LIMITED

 **BOEING**  
 COMPONENT  
 MAINTENANCE MANUAL

FIG. & ITEM	PART NO.	AIRLINE PART NUMBER	NOMENCLATURE 1234567	EFF CODE	QTY PER ASSY
03- -1	114T4102-21SP		STRUCTURE ASSY-OUTBD SLAT NO.2 AND 11 WING LE (LH) (PRE SB 757-32-0095) (REWORK DWG 114T4182-1) (PRE SB 767-32-0095) (PRE SB 767-57A0057)	B	RF
-1A	114T4102-23		STRUCTURE ASSY-OUTBD SLAT NO. 2 AND 11 WING LE (VARIABLE) (LH) (REWORK DWG 114T4182-1) (PRE SB 767-57A0057)	C	RF
-1B	114T4102-25SP		STRUCTURE ASSY-OUTBD SLAT NO. 2 AND 11 WING LE (LH) (POST SB 767-32-0107) (PRE SB 767-57A0057)	D	RF
-1C	114T4102-27		STRUCTURE ASSY-OUTBD SLAT NO. 2 AND 11 WING LE (VARIABLE) (LH) (PRE SB 767-57A0057)	E	RF
-1D	114T4102-29		STRUCTURE ASSY-OUTBD SLAT NO. 2 AND 11 WING LE (VARIABLE) (LH) (PRE SB 767-57A0057)	F	RF
-1E	114T4102-37		STRUCTURE ASSY-OUTBD SLAT NO. 2 AND 11 WING LE (VARIABLE) (LH) (PRE SB 767-57A0057)	T	RF
-1F	015T0165-5		SLAT ASSY-NO. 2 AND 11 WING LE TOP KIT (LH) (POST SB 757-32-0095) (POST SB 767-32-0095) (PRE SB 767-57A0057)	X	RF
-1G	015T1507-207		STRUCTURE ASSY-OUTBD SLAT NO.2 AND 11 WING LE (LH) (POST SB 767-57A0057)	AS	RF
-1H	015T1507-209		STRUCTURE ASSY-OUTBD SLAT NO.2 AND 11 WING LE (LH) (POST SB 767-57A0057)	AT	RF
-1J	015T1507-211		STRUCTURE ASSY-OUTBD SLAT NO.2 AND 11 WING LE (LH) (POST SB 767-57A0057)	AU	RF

**57-43-45**

ILLUSTRATED PARTS LIST  
 01.1 Page 1052I  
 Nov 01/00

FIG. & ITEM	PART NO.	AIRLINE PART NUMBER	NOMENCLATURE 1234567	EFF CODE	QTY PER ASSY
03- -1K	015T1507-241		STRUCTURE ASSY-OUTBD SLAT NO.2 AND 11 WING LE (LH) (POST SB 767-57A0057)	AV	RF
-1L	015T1507-243		STRUCTURE ASSY-OUTBD SLAT NO.2 AND 11 WING LE (LH) (POST SB 767-57A0057)	AW	RF
-1M	015T1507-245		STRUCTURE ASSY-OUTBD SLAT NO.2 AND 11 WING LE (LH) (POST SB 767-57A0057)	AX	RF
-1N	015T1507-213		STRUCTURE ASSY-OUTBD SLAT NO.2 AND 11 WING LE (LH) (POST SB 767-57A0057)	AY	RF
-1P	015T1507-247		STRUCTURE ASSY-OUTBD SLAT NO.2 AND 11 WING LE (LH) (POST SB 767-57A0057)	AZ	RF
-1Q	015T1507-215		STRUCTURE ASSY-OUTBD SLAT NO.2 AND 11 WING LE (LH) (POST SB 767-57A0057)	BA	RF
-1R	015T1507-217		STRUCTURE ASSY-OUTBD SLAT NO.2 AND 11 WING LE (LH) (POST SB 767-57A0057)	BB	RF
-1S	015T1507-219		STRUCTURE ASSY-OUTBD SLAT NO.2 AND 11 WING LE (LH) (POST SB 767-57A0057)	BC	RF
-1T	015T1507-249		STRUCTURE ASSY-OUTBD SLAT NO.2 AND 11 WING LE (LH) (POST SB 767-57A0057)	BD	RF
-1U	015T1507-251		STRUCTURE ASSY-OUTBD SLAT NO.2 AND 11 WING LE (LH) (POST SB 767-57A0057)	BE	RF
-1V	015T1507-253		STRUCTURE ASSY-OUTBD SLAT NO.2 AND 11 WING LE (LH) (POST SB 767-57A0057)	BF	RF
-1W	015T1507-221		STRUCTURE ASSY-OUTBD SLAT NO.2 AND 11 WING LE (LH) (POST SB 767-57A0057)	BG	RF
-1X	015T1507-255		STRUCTURE ASSY-OUTBD SLAT NO.2 AND 11 WING LE (LH) (POST SB 767-57A0057)	BH	RF
-1Y	015T1507-223		STRUCTURE ASSY-OUTBD SLAT NO.2 AND 11 WING LE (LH) (POST SB 767-57A0057)	BJ	RF
-1Z	015T1507-257		STRUCTURE ASSY-OUTBD SLAT NO.2 AND 11 WING LE (LH) (POST SB 767-57A0057)	BK	RF

# 57-43-45

 ILLUSTRATED PARTS LIST  
 01.1 Page 1052J  
 Nov 01/00

114T4102  
 015T0165  
 015T1507  
 DASH NUMBERS LIMITED

 **BOEING**  
 COMPONENT  
 MAINTENANCE MANUAL

FIG. & ITEM	PART NO.	AIRLINE PART NUMBER	NOMENCLATURE 1234567	EFF CODE	QTY PER ASSY
03- -2	015T1507-227		STRUCTURE ASSY-OUTBD SLAT NO.2 AND 11 WING LE (LH) (POST SB 767-57A0057)	BL	RF
-2A	015T1507-261		STRUCTURE ASSY-OUTBD SLAT NO.2 AND 11 WING LE (LH) (POST SB 767-57A0057)	BM	RF
-2B	015T1507-269		STRUCTURE ASSY-OUTBD SLAT NO.2 AND 11 WING LE (LH) (POST SB 767-57A0057)	BN	RF
-2C	015T1507-271		STRUCTURE ASSY-OUTBD SLAT NO.2 AND 11 WING LE (LH) (POST SB 767-57A0057)	BP	RF
-5	114T4102-22SP		STRUCTURE ASSY-OUTBD SLAT NO. 2 AND 11 WING LE (RH) (PRE SB 757-32-0095) (REWORK DWG 114T4182-2) (PRE SB 767-32-0095) (PRE SB 767-57A0057)	N	RF
-5A	114T4102-24		STRUCTURE ASSY-OUTBD SLAT NO. 2 AND 11 WING LE (VARIABLE) (RH) (REWORK DWG 114T4182-2) (PRE SB 767-57A0057)	P	RF
-5B	114T4102-26SP		STRUCTURE ASSY-OUTBD SLAT NO. 2 AND 11 WING LE (RH) (POST SB 767-32-0107) (PRE SB 767-57A0057)	Q	RF
-5C	114T4102-28		STRUCTURE ASSY-OUTBD SLAT NO. 2 AND 11 WING LE (VARIABLE) (RH) (PRE SB 767-57A0057)	R	RF
-5D	114T4102-30		STRUCTURE ASSY-OUTBD SLAT NO. 2 AND 11 WING LE (VARIABLE) (RH) (PRE SB 767-57A0057)	S	RF
-5E	114T4102-38		STRUCTURE ASSY-OUTBD SLAT NO. 2 AND 11 WING LE (VARIABLE) (RH) (PRE SB 767-57A0057)	U	RF

**57-43-45**

ILLUSTRATED PARTS LIST  
 01.1 Page 1052K  
 Nov 01/00



FIG. & ITEM	PART NO.	AIRLINE PART NUMBER	NOMENCLATURE 1234567	EFF CODE	QTY PER ASSY
03- -5F	015T0165-6		SLAT ASSY-NO. 2 AND 11 WING LE TOP KIT (RH) (POST SB 757-32-0095) (POST SB 767-32-0095) (PRE SB 767-57A0057)	Y	RF
-5G	015T1507-208		STRUCTURE ASSY-OUTBD SLAT NO.2 AND 11 WING LE (RH) (POST SB 767-57A0057)	BQ	RF
-5H	015T1507-210		STRUCTURE ASSY-OUTBD SLAT NO.2 AND 11 WING LE (RH) (POST SB 767-57A0057)	BR	RF
-5J	015T1507-212		STRUCTURE ASSY-OUTBD SLAT NO.2 AND 11 WING LE (RH) (POST SB 767-57A0057)	BS	RF
-5K	015T1507-242		STRUCTURE ASSY-OUTBD SLAT NO.2 AND 11 WING LE (RH) (POST SB 767-57A0057)	BT	RF
-5L	015T1507-244		STRUCTURE ASSY-OUTBD SLAT NO.2 AND 11 WING LE (RH) (POST SB 767-57A0057)	BU	RF
-5M	015T1507-246		STRUCTURE ASSY-OUTBD SLAT NO.2 AND 11 WING LE (RH) (POST SB 767-57A0057)	BV	RF
-5N	015T1507-214		STRUCTURE ASSY-OUTBD SLAT NO.2 AND 11 WING LE (RH) (POST SB 767-57A0057)	BW	RF
-5P	015T1507-248		STRUCTURE ASSY-OUTBD SLAT NO.2 AND 11 WING LE (RH) (POST SB 767-57A0057)	BX	RF
-5Q	015T1507-216		STRUCTURE ASSY-OUTBD SLAT NO.2 AND 11 WING LE (RH) (POST SB 767-57A0057)	BY	RF
-5R	015T1507-218		STRUCTURE ASSY-OUTBD SLAT NO.2 AND 11 WING LE (RH) (POST SB 767-57A0057)	BZ	RF
-5S	015T1507-220		STRUCTURE ASSY-OUTBD SLAT NO.2 AND 11 WING LE (RH) (POST SB 767-57A0057)	CA	RF
-5T	015T1507-250		STRUCTURE ASSY-OUTBD SLAT NO.2 AND 11 WING LE (RH) (POST SB 767-57A0057)	CB	RF
-5U	015T1507-252		STRUCTURE ASSY-OUTBD SLAT NO.2 AND 11 WING LE (RH) (POST SB 767-57A0057)	CC	RF

# 57-43-45

 ILLUSTRATED PARTS LIST  
 01.1 Page 1052L  
 Nov 01/00

114T4102  
 015T0165  
 015T1507  
 DASH NUMBERS LIMITED

 **BOEING**  
 COMPONENT  
 MAINTENANCE MANUAL

FIG. & ITEM	PART NO.	AIRLINE PART NUMBER	NOMENCLATURE 1234567	EFF CODE	QTY PER ASSY
03- -5V	015T1507-254		STRUCTURE ASSY-OUTBD SLAT NO.2 AND 11 WING LE (RH) (POST SB 767-57A0057)	CD	RF
-5W	015T1507-222		STRUCTURE ASSY-OUTBD SLAT NO.2 AND 11 WING LE (RH) (POST SB 767-57A0057)	CE	RF
-5X	015T1507-256		STRUCTURE ASSY-OUTBD SLAT NO.2 AND 11 WING LE (RH) (POST SB 767-57A0057)	CF	RF
-5Y	015T1507-224		STRUCTURE ASSY-OUTBD SLAT NO.2 AND 11 WING LE (RH) (POST SB 767-57A0057)	CG	RF
-5Z	015T1507-258		STRUCTURE ASSY-OUTBD SLAT NO.2 AND 11 WING LE (RH) (POST SB 767-57A0057)	CH	RF
-6	015T1507-228		STRUCTURE ASSY-OUTBD SLAT NO.2 AND 11 WING LE (RH) (POST SB 767-57A0057)	CJ	RF
-6A	015T1507-262		STRUCTURE ASSY-OUTBD SLAT NO.2 AND 11 WING LE (RH) (POST SB 767-57A0057)	CK	RF
-6B	015T1507-270		STRUCTURE ASSY-OUTBD SLAT NO.2 AND 11 WING LE (RH) (POST SB 767-57A0057)	CL	RF
-6C	015T1507-272		STRUCTURE ASSY-OUTBD SLAT NO.2 AND 11 WING LE (RH) (POST SB 767-57A0057)	CM	RF
-7	114T4102-5007		.STRUCTURE ASSY	B,C,X ,AS-A Z,BN, BP	1
-7B	114T4102-5009		.STRUCTURE ASSY	B,C,X ,AS-A Z,BN, BP	1
-7D	114T4102-5011		.STRUCTURE ASSY	D-F,T ,BA-B M	1

**57-43-45**

ILLUSTRATED PARTS LIST  
 01.1 Page 1052M  
 Nov 01/00

FIG. & ITEM	PART NO.	AIRLINE PART NUMBER	NOMENCLATURE 1234567	EFF CODE	QTY PER ASSY
03-8	114T4102-5008		.STRUCTURE ASSY	N,P,Y ,BQ-B X,CL, CM	1
-8B	114T4102-5010		.STRUCTURE ASSY	N,P,Y ,BQ-B X,CL, CM	1
-8D	114T4102-5012		.STRUCTURE ASSY	Q-S,U ,BY-C K	1
10	BACB30NT3K7		..BOLT	B-F, N-U,X ,Y,A S-CM	54
12	AN960PD10L		..WASHER	B-F, N-U,X ,Y,A S-CM	54
14	AN960PD10		..WASHER	B-F, N-U,X ,Y,A S-CM	1
16	H10-3BAC		..NUT- (V15653) (SPEC BACN10JC3) (OPT NS202101-02 (V80539)) (OPT RMLH9075-3W (V72962)) (OPT T6S1032J (V71087)) (OPT VN303A02 (V92215)) (OPT 96-02 (V80539)) (OPT BRH10A3 (V52828))	B-F, N-U,X ,Y,A S-CM	1

# 57-43-45

 ILLUSTRATED PARTS LIST  
 01.1 Page 1052N  
 Nov 01/00

114T4102  
 015T0165  
 015T1507  
 DASH NUMBERS LIMITED

 **BOEING**  
 COMPONENT  
 MAINTENANCE MANUAL

FIG. & ITEM	PART NO.	AIRLINE PART NUMBER	NOMENCLATURE 1234567	EFF CODE	QTY PER ASSY
03-18	114T4233-7		..RETAINER- (USED ON ITEM 7)	B,C,X ,AS-A Z,BN, BP	1
-20	114T4233-8		..RETAINER- (USED IN ITEM 8)	N,P,Y ,BQ-B X,CL, CM	1
22	114T4233-9		..RETAINER- (USED ON ITEM 7)	B,C,X ,AS-A Z,BN, BP	1
-24	114T4233-10		..RETAINER- (USED ON ITEM 8)	N,P,Y ,BQ-B X,CL, CM	1
26	114T4233-11		..RETAINER- (USED ON ITEM 7)	B,C,X ,AS-A Z,BN, BP	1
-28	114T4233-12		..RETAINER- (USED ON ITEM 8)	N,P,Y ,BQ-B X,CL, CM	1
29	114T4233-32		..RETAINER- (USED ON ITEMS 7B, 8B)	B-E, N-R,T ,U,X, Y,A S-BH BL-CF ,CJ-C M	54

**57-43-45**

ILLUSTRATED PARTS LIST  
 01.1 Page 10520  
 Nov 01/00

FIG. & ITEM	PART NO.	AIRLINE PART NUMBER	NOMENCLATURE 1234567	EFF CODE	QTY PER ASSY
03-30	114T4232-7		..SEAL-BULB (MFD FROM EXTR RUBBER F25.01 10-60754-319 44.50 IN.)	B-F,T ,X,A S-BP	1
-32	114T4232-8		..SEAL-BULB (MFD FROM EXTR RUBBER F25.01 10-60754-319 44.50 IN.)	N-S,U ,Y,B Q-CM	1
34	114T4232-9		..SEAL-BULB (MFD FROM EXTR RUBBER F25.01 10-60754-319 64.00 IN.)	B-F,T ,X,A S-BP	1
-36	114T4232-10		..SEAL-BULB (MFD FROM EXTR RUBBER F25.01 10-60754-319 64.00 IN.)	N-S,U ,Y,B Q-CM	1
38	114T4232-11		..SEAL-BULB (MFD FROM EXTR RUBBER F25.01 10-60754-319 44.00 IN.)	B-F,T ,X,A S-BP	1
-40	114T4232-12		..SEAL-BULB (MFD FROM EXTR RUBBER F25.01 10-60754-319 44.00 IN.)	N-S,U ,Y,B Q-CM	1
42	BACR15BA3AD		..RIVET- (SIZE DETERMINE ON INST)	B-F, N-U,X ,Y,A S-CM	106
44	BACN10JQ32		..NUTPLATE	B-F, N-U,X ,Y,A S-CM	50

# 57-43-45

 ILLUSTRATED PARTS LIST  
 01.1 Page 1052P  
 Nov 01/00

FIG. & ITEM	PART NO.	AIRLINE PART NUMBER	NOMENCLATURE 1234567	EFF CODE	QTY PER ASSY
03-46	BACN10JQ33		..NUTPLATE	B-F, N-U,X ,Y,A S-CM	1
48	NS103225-02		..NUTPLATE- (V80539) (SPEC BACN10KH3) (OPT RMF9209M3 (V72962)) (OPT RMF9209M3 (V72962))	B-F, N-U,X ,Y,A S-CM	2
50	BACB30NN3K4		..BOLT	B-F, N-U,X ,Y,A S-CM	1
52	BACB30NT3K4		..BOLT	B-F, N-U,X ,Y,A S-CM	4
54	BACB30NT3K3		..BOLT	B-F, N-U,X ,Y,A S-CM	1
56	AN960PD10		..WASHER	B-F, N-U,X ,Y,A S-CM	9
57	AN960PD10L		..WASHER	B-F, N-U,X ,Y,A S-CM	2

**57-43-45**

FIG. & ITEM	PART NO.	AIRLINE PART NUMBER	NOMENCLATURE 1234567	EFF CODE	QTY PER ASSY
03-58	H10-3BAC		..NUT- (V15653) (SPEC BACN10JC3) (OPT NS202101-02 (V80539)) (OPT RMLH9075-3W (V72962)) (OPT T6S1032J (V71087)) (OPT VN303A02 (V92215)) (OPT 96-02 (V80539)) (OPT BRH10A3 (V52828))	B-F, N-U,X ,Y,A S-CM	6
60	114T4235-1		..RETAINER	B-F, N-U,X ,Y,A S-CM	1
62	114T4234-7		..SEAL-BULB (MFD FROM EXTR RUBBER F25.01 10-60754-15 8.80 IN.)	B-F,T ,X,A S-BP	1
-64	114T4234-8		..SEAL-BULB (MFD FROM EXTR RUBBER F25.01 10-60754-15 8.80 IN.)	N-S,U ,Y,B Q-CM	1
66	114T4233-31		..RETAINER	B-F, N-U,X ,Y,A S-CM	1

**57-43-45**

ILLUSTRATED PARTS LIST  
01.1 Page 1052R  
Nov 01/00

FIG. & ITEM	PART NO.	AIRLINE PART NUMBER	NOMENCLATURE 1234567	EFF CODE	QTY PER ASSY
03-68	114T4234-11		..SEAL-BULB (MFD FROM EXTR RUBBER F25.01 10-60754-15 1.50 IN.)	B-F,T ,X,A S-BP	1
-70	114T4234-12		..SEAL-BULB (MFD FROM EXTR RUBBER F25.01 10-60754-15 1.50 IN.)	N-S,U ,Y,B Q-CM	1
72	BACB30NN3K5		..BOLT	B-F, N-U,X ,Y,A S-CM	2
74	BACB30NN3K4		..BOLT	B-F, N-U,X ,Y,A S-CM	13
76	AN960PD10		DELETED		
78	H10-3BAC		DELETED		
79	114T4231-45		..RETAINER ASSY	B-F, N-U,X ,Y,A S-CM	1
80	114T4231-1		...RETAINER	B-F, N-U,X ,Y,A S-CM	1
81	BRFM20A3		...NUTPLATE- (V52828) (SPEC BACN10JN3) (OPT MF1000-3BAC (V15653)) (OPT NS103218-02 (V80539)) (OPT RMF9201M3 (V72962)) (OPT VN252A02 (V92215)) (OPT MF1000-3BAC (V15653)) (OPT MF53049-3 (V15653))	B-F, N-U,X ,Y,A S-CM	5

**57-43-45**



FIG. & ITEM	PART NO.	AIRLINE PART NUMBER	NOMENCLATURE 1234567	EFF CODE	QTY PER ASSY
03-82	114T4230-1		..SEAL- (MFD FROM SH RUBBER BMS1-50 TYPE II GRADE 60 F25.01 0.094 IN. 1.25 IN. 7.90 IN.)	B-F, N-U,X ,Y,A S-CM	1
83	114T4231-49		..RETAINER ASSY	B-F, N-U,X ,Y,A S-CM	1
84	114T4231-5		...RETAINER	B-F, N-U,X ,Y,A S-CM	1
85	BRFM20A3		...NUTPLATE- (V52828) (SPEC BACN10JN3) (OPT MF1000-3BAC (V15653)) (OPT NS103218-02 (V80539)) (OPT RMF9201M3 (V72962)) (OPT VN252A02 (V92215)) (OPT MF1000-3BAC (V15653)) (OPT MF53049-3 (V15653))	B-F, N-U,X ,Y,A S-CM	4
86	114T4230-5		..SEAL- (MFD FROM SH RUBBER BMS1-50 TYPE II GRADE 60 F25.01 0.094 IN. 1.25 IN. 6.60 IN.)	B-F, N-U,X ,Y,A S-CM	1

# 57-43-45

 ILLUSTRATED PARTS LIST  
 01.1 Page 1052T  
 Nov 01/00

114T4102  
 015T0165  
 015T1507  
 DASH NUMBERS LIMITED

 **BOEING**  
 COMPONENT  
 MAINTENANCE MANUAL

FIG. & ITEM	PART NO.	AIRLINE PART NUMBER	NOMENCLATURE 1234567	EFF CODE	QTY PER ASSY
03-87	114T4231-53		..RETAINER ASSY	B-F, N-U,X ,Y,A S-CM	1
88	114T4231-9		...RETAINER	B-F, N-U,X ,Y,A S-CM	1
89	BRFM20A3		...NUTPLATE- (V52828) (SPEC BACN10JN3) (OPT MF1000-3BAC (V15653)) (OPT NS103218-02 (V80539)) (OPT RMF9201M3 (V72962)) (OPT VN252A02 (V92215)) (OPT MF1000-3BAC (V15653)) (OPT MF53049-3 (V15653))	B-F, N-U,X ,Y,A S-CM	3
90	114T4230-9		..SEAL- (MFD FROM SH RUBBER BMS1-50 TYPE II GRADE 60 F25.01 0.094 IN. 1.25 IN. 7.90 IN.)	B-F, N-U,X ,Y,A S-CM	1
92	114T4231-13		..RETAINER	B-F, N-U,X ,Y,A S-CM	1
94	114T4230-13		..SEAL- (MFD FROM SH RUBBER BMS1-50 TYPE II GRADE 60 F25.01 0.094 IN. 1.25 IN. 3.45 IN.)	B-F, N-U,X ,Y,A S-CM	1

**57-43-45**

ILLUSTRATED PARTS LIST  
 01.1 Page 1052U  
 Nov 01/00

FIG. & ITEM	PART NO.	AIRLINE PART NUMBER	NOMENCLATURE 1234567	EFF CODE	QTY PER ASSY
03-95	BACR15BA3AD		..RIVET- (SIZE DETERMINE ON INST) (NHA 114T4102)	B-F, N-U,X ,Y,A S-CM	6
95A	BRFM20A3		..NUTPLATE- (V52828) (SPEC BACN10JN3) (OPT MF1000-3BAC (V15653)) (OPT NS103218-02 (V80539)) (OPT RMF9201M3 (V72962)) (OPT VN252A02 (V92215)) (OPT MF1000-3BAC (V15653)) (OPT MF53049-3 (V15653))	B-F, N-U,X ,Y,A S-CM	3
96	114T4224-2		..SEAL-BULB	B-F, N-U,X ,Y,A S-CM	1
98	114T4224-3		..SEAL-BULB	B-F, N-U,X ,Y,A S-CM	1
100	BACR15CE5KE		..RIVET- (SIZE DETERMINE ON INST)	B-F, N-U,X ,Y,A S-CM	17
102	114T4225-3		..RETAINER	B-F, N-U,X ,Y,A S-CM	1
104	114T4225-4		..RETAINER	B-F, N-U,X ,Y,A S-CM	1

# 57-43-45

 ILLUSTRATED PARTS LIST  
 01.1 Page 1052V  
 Nov 01/00

FIG. & ITEM	PART NO.	AIRLINE PART NUMBER	NOMENCLATURE 1234567	EFF CODE	QTY PER ASSY
03-106	114T4236-2		..SEAL- (MFD FROM SH SPONGE RUBBER BMS1-23 20.50 IN. 1.00 IN. 2.00 IN.)	B-F, N-U,X ,Y,A S-CM	1
108	114T4236-3		..SEAL- (MFD FROM SH SPONGE RUBBER BMS1-23 20.60 IN. 1.00 IN. 2.60 IN.)	B-F, N-U,X ,Y,A S-CM	1
110	BACB30NN3K6		..BOLT	B-F, N-U,X ,Y,A S-CM	1
112	AN960PD10L		..WASHER	B-F, N-U,X ,Y,A S-CM	1
114 116	NAS43DD3-10 H10-3BAC		DELETED ..NUT- (V15653) (SPEC BACN10JC3) (OPT NS202101-02 (V80539)) (OPT RMLH9075-3W (V72962)) (OPT T6S1032J (V71087)) (OPT VN303A02 (V92215)) (OPT 96-02 (V80539)) (OPT BRH10A3 (V52828))	B-F, N-U,X ,Y,A S-CM	1

57-43-45

FIG. & ITEM	PART NO.	AIRLINE PART NUMBER	NOMENCLATURE 1234567	EFF CODE	QTY PER ASSY
03-118	114T4235-8		..RETAINER	B-F, N-U,X ,Y,A S-CM	1
120	114T4237-7		..SEAL	B-F,T ,X,A S-BP	1
-121	114T4237-8		..SEAL	N-S,U ,Y,B Q-CM	1
122	114T4226-2		..SEAL	B-F, N-U,X ,Y,A S-CM	2
124	114T4242-5		..RETAINER	B-F,T ,X,A S-BP	1
-126	114T4242-6		..RETAINER	N-S,U ,Y,B Q-CM	1
128	114T4242-7		..RETAINER	B-F,T ,X,A S-BP	1
-130	114T4242-8		..RETAINER	N-S,U ,Y,B Q-CM	1
132	BACB30NU3K5		..BOLT	B-F, N-U,X ,Y,A S-CM	11
134	BACB30NT3K5		..BOLT	B-F, N-U,X ,Y,A S-CM	2

# 57-43-45

 ILLUSTRATED PARTS LIST  
 01.1 Page 1052X  
 Nov 01/00

FIG. & ITEM	PART NO.	AIRLINE PART NUMBER	NOMENCLATURE 1234567	EFF CODE	QTY PER ASSY
03-136	BACR15FT5AD		..RIVET- (SIZE DETERMINE ON INST)	B-F, N-U,X ,Y,A S-CM	27
138	BACR15FT6AD		..RIVET- (SIZE DETERMINE ON INST)	B-F, N-U,X ,Y,A S-CM	1
140	BACF3F009E178NN		..FILLER	B-F, N-U,X ,Y,A S-CM	1
142	114T4262-1		..PANEL-COVE	B-F,T ,X,A S-BP	1
-144	114T4262-2		..PANEL-COVE	N-S,U ,Y,B Q-CM	1
146	BACR15BA3AD		..RIVET- (SIZE DETERMINE ON INST)	B-F, N-U,X ,Y,A S-CM	24
148	BACN10JQ33		..NUTPLATE	B-F, N-U,X ,Y,A S-CM	11
150	NS103225-02		..NUTPLATE- (V80539) (SPEC BACN10KH3) (OPT RMF9209M3 (V72962)) (OPT RMF9209M3 (V72962))	B-F, N-U,X ,Y,A S-CM	1
152	BACB30NN3K6		..BOLT	B-F, N-U,X ,Y,A S-CM	17
154	BACB30NT3K7		..BOLT	B-F, N-U,X ,Y,A S-CM	63

57-43-45

FIG. & ITEM	PART NO.	AIRLINE PART NUMBER	NOMENCLATURE 1234567	EFF CODE	QTY PER ASSY
03-154D	BACB30NT3K7		..BOLT- (USED ON ITEMS 7B, 7D, 8B, 8D)	B-F, N-U,X ,Y,A S-CM	4
154H	BACB30NM3K10		..BOLT- (REWORK DWG 114T4182-1, 114T4182-2) (USED ON ITEMS 7, 8)	B,C,X ,AS-A Z,B N-BX, CL,CM	2
154M	BACB30NN3K9		..BOLT- (REWORK DWG 114T4182-1, 114T4182-2) (USED ON ITEMS 7, 8)	B,C,X ,AS-A Z,B N-BX, CL,CM	2
155	BACR15CE5KE		..RIVET- (SIZE DETERMINE ON INST)	B-F, N-U,X ,Y,A S-CM	2
156	114T4262-3		..PANEL-COVE (USED ON ITEM 7)	B,C,X ,AS-A Z,BN, BP	1
-156A	114T4262-25		..PANEL-COVE (USED ON ITEM 7B)	B-F,T ,X,A S-BP	1
-158	114T4262-4		..PANEL-COVE (USED ON ITEM 8)	N,P,Y ,BQ-B X,CL, CM	1
-158A	114T4262-26		..PANEL-COVE (USED ON ITEM 8B)	N-S,U ,Y,B Q-CM	1
160	BACR15BA3AD		..RIVET- (SIZE DETERMINE ON INST)	B-F, N-U,X ,Y,A S-CM	100
162	BACN10JQ33		..NUTPLATE	B-F, N-U,X ,Y,A S-CM	3
164	BACN10JQ34		..NUTPLATE	B-F, N-U,X ,Y,A S-CM	13

# 57-43-45

 ILLUSTRATED PARTS LIST  
 01.1 Page 1052Z  
 Nov 01/00

FIG. & ITEM	PART NO.	AIRLINE PART NUMBER	NOMENCLATURE 1234567	EFF CODE	QTY PER ASSY
03-166	BACN10JQ35		..NUTPLATE	B-F, N-U,X ,Y,A S-CM	22
168	BACN10JQ36		..NUTPLATE	B-F, N-U,X ,Y,A S-CM	8
170	NS103225-02		..NUTPLATE- (V80539) (SPEC BACN10KH3) (OPT RMF9209M3 (V72962)) (OPT RMF9209M3 (V72962))	B-F, N-U,X ,Y,A S-CM	4
172	NAS1195DD3KH		..SHIM	B-F, N-U,X ,Y,A S-CM	2
173	114T4110-17		..STIFFENER	B-F, N-U,X ,Y,A S-CM	1
173G	114T4110-19		..STIFFENER	B-F,T ,X,A S-BP	1
-173K	114T4110-20		..STIFFENER	N-S,U ,Y,B Q-CM	1
174	BACB30NU3K5		..BOLT	B-F, N-U,X ,Y,A S-CM	9
176	BACB30NT3K3		..BOLT	B-F, N-U,X ,Y,A S-CM	2
178	BACB30NT3K5		..BOLT	B-F, N-U,X ,Y,A S-CM	4
180	AN960PD10		..WASHER	B-F, N-U,X ,Y,A S-CM	2

57-43-45



FIG. & ITEM	PART NO.	AIRLINE PART NUMBER	NOMENCLATURE 1234567	EFF CODE	QTY PER ASSY
03-182	H10-3BAC		..NUT- (V15653) (SPEC BACN10JC3) (OPT NS202101-02 (V80539)) (OPT RMLH9075-3W (V72962)) (OPT T6S1032J (V71087)) (OPT VN303A02 (V92215)) (OPT 96-02 (V80539)) (OPT BRH10A3 (V52828))	B-F, N-U,X ,Y,A S-CM	2
184	BACR15FT6AD		..RIVET- (SIZE DETERMINE ON INST)	B-F, N-U,A S-BM, BQ-CK	34
185	BACR15FT7AD7		..RIVET	X,Y,B N,BP, CL,CM	32
185H	BACR15FT7AD8		..RIVET	X,Y,B N,BP, CL,CM	2
186	114T4262-21		..PANEL-COVE	B-F,T ,X,A S-BP	1
-188	114T4262-22		..PANEL-COVE	N-S,U ,Y,B Q-CM	1
190	BACR15BA3AD		..RIVET- (SIZE DETERMINE ON INST)	B-F, N-U,A S-BM, BQ-CK	22
191	BACR15BA3AD		..RIVET- (SIZE DETERMINE ON INST)	X,Y,B N,BP, CL,CM	18
191H	BACR15FT3AD7		..RIVET	X,Y,B N,BP, CL,CM	4
192	BACN10JQ32		..NUTPLATE	B-F, N-U,X ,Y,A S-CM	2

# 57-43-45

 ILLUSTRATED PARTS LIST  
 01.1 Page 1054  
 Nov 01/00

FIG. & ITEM	PART NO.	AIRLINE PART NUMBER	NOMENCLATURE 1234567	EFF CODE	QTY PER ASSY
03-194	BACN10JQ33		..NUTPLATE	B-F, N-U,X ,Y,A S-CM	5
196	NS103225-02		..NUTPLATE- (V80539) (SPEC BACN10KH3) (OPT RMF9209M3 (V72962)) (OPT RMF9209M3 (V72962))	B-F, N-U,X ,Y,A S-CM	4
197	114T4110-21		..STIFFENER	B-F, N-U,X ,Y,A S-CM	1
198	BACB30NN3K6		..BOLT	B-F, N-U,X ,Y,A S-CM	5
200 200A	BACB30NN3K7 BACB30NT3K7		DELETED ..BOLT	B-F, N-U,X ,Y,A S-CM	18
202 202A	BACF3F008E080NN BACF3F009E080NN		DELETED ..FILLER	B-F, N-U,X ,Y,A S-CM	1
204	114T4262-7		..PANEL-COVE	B-F,T ,X,A S-BP	1
-206	114T4262-8		..PANEL-COVE	N-S,U ,Y,B Q-CM	1
208	BACR15BA3AD		..RIVET- (SIZE DETERMINE ON INST)	B-F, N-U,X ,Y,A S-CM	50

57-43-45

FIG. & ITEM	PART NO.	AIRLINE PART NUMBER	NOMENCLATURE 1234567	EFF CODE	QTY PER ASSY
03-210	BACN10JQ33		..NUTPLATE	B-F, N-U,X ,Y,A S-CM	1
212	BACN10JQ34		..NUTPLATE	B-F, N-U,X ,Y,A S-CM	4
214	BACN10JQ35		..NUTPLATE	B-F, N-U,X ,Y,A S-CM	12
216	BACN10JQ36		..NUTPLATE	B-F, N-U,X ,Y,A S-CM	6
217	114T4110-23		..STIFFENER	B-F, N-U,X ,Y,A S-CM	1
218	BACB30NT3K5		..BOLT	B-F, N-U,X ,Y,A S-CM	4
220	114T4302-1		DELETED		
220A	114T4302-3		DELETED		
220B	114T4302-4		..FITTING-ALIGN.	B-F, N-U,X ,Y,A S-CM	1

**57-43-45**

114T4102  
 015T0165  
 015T1507  
 DASH NUMBERS LIMITED

 **BOEING**  
 COMPONENT  
 MAINTENANCE MANUAL

FIG. & ITEM	PART NO.	AIRLINE PART NUMBER	NOMENCLATURE 1234567	EFF CODE	QTY PER ASSY
03-222	BACB30NU3K5		..BOLT	B-F, N-U,X ,Y,A S-CM	20
224	BACB30NN3K6		..BOLT	B-F, N-U,X ,Y,A S-CM	2
226	BACB30NT3K5		..BOLT	B-F, N-U,X ,Y,A S-CM	2
228	BACB30NT3K3		..BOLT	B-F, N-U,X ,Y,A S-CM	2
230	BACR15FT5AD		..RIVET- (SIZE DETERMINE ON INST)	B-F, N-U,X ,Y,A S-CM	48
232	BACF3F008E262NN		DELETED		
232A	BACF3F009E262NN		..FILLER	B-F, N-U,X ,Y,A S-CM	1
234	114T4262-9		..PANEL-COVE	B-F,T ,X,A S-BP	1
-236	114T4262-10		..PANEL-COVE	N-S,U ,Y,B Q-CM	1

**57-43-45**

ILLUSTRATED PARTS LIST  
 01.1 Page 1054C  
 Nov 01/00

FIG. & ITEM	PART NO.	AIRLINE PART NUMBER	NOMENCLATURE 1234567	EFF CODE	QTY PER ASSY
03-238	BACR15BA3AD		..RIVET- (SIZE DETERMINE ON INST)	B-F, N-U,X ,Y,A S-CM	48
240	BACN10JQ32		..NUTPLATE	B-F, N-U,X ,Y,A S-CM	2
242	BACN10JQ33		..NUTPLATE	B-F, N-U,X ,Y,A S-CM	18
244	NS103225-02		..NUTPLATE- (V80539) (SPEC BACN10KH3) (OPT RMF9209M3 (V72962)) (OPT RMF9209M3 (V72962))	B-F, N-U,X ,Y,A S-CM	4
246	NAS1195DD3KH		..SHIM	B-F, N-U,X ,Y,A S-CM	2
247	114T4110-25		..STIFFENER	B-F, N-U,X ,Y,A S-CM	1
248	BACB30NN3K6		..BOLT	B-F, N-U,X ,Y,A S-CM	5
250	BACB30NT3K7		..BOLT	B-F, N-U,X ,Y,A S-CM	20
252 252A	BACF3F008E080NN BACF3F009E080NN		DELETED ..FILLER	B-F, N-U,X ,Y,A S-CM	1

57-43-45

FIG. & ITEM	PART NO.	AIRLINE PART NUMBER	NOMENCLATURE 1234567	EFF CODE	QTY PER ASSY
03-254	114T4262-11		..PANEL-COVE	B-F,T ,X,A S-BP	1
-256	114T4262-12		..PANEL-COVE	N-S,U ,Y,B Q-CM	1
258	BACR15BA3AD		..RIVET- (SIZE DETERMINE ON INST)	B-F, N-U,X ,Y,A S-CM	30
260	BACN10JQ33		..NUTPLATE	B-F, N-U,X ,Y,A S-CM	1
262	BACN10JQ34		..NUTPLATE	B-F, N-S,X ,Y,A S-CM	4
264	BACN10JQ35		..NUTPLATE	B-F, N-U,X ,Y,A S-CM	14
266	BACN10JQ36		..NUTPLATE	B-F, N-U,X ,Y,A S-CM	6
267	114T4110-27		..STIFFENER	B-F, N-U,X ,Y,A S-CM	1
268	BACB30NU3K5		..BOLT	B-F, N-U,X ,Y,A S-CM	8
270	BACB30NT3K3		..BOLT	B-F, N-U,X ,Y,A S-CM	2
272	BACB30NT3K5		..BOLT	B-F, N-U,X ,Y,A S-CM	4

57-43-45

FIG. & ITEM	PART NO.	AIRLINE PART NUMBER	NOMENCLATURE 1234567	EFF CODE	QTY PER ASSY
03-274	AN960PD10		..WASHER	B-F, N-U,X ,Y,A S-CM	2
276	H10-3BAC		..NUT- (V15653) (SPEC BACN10JC3) (OPT NS202101-02 (V80539)) (OPT RMLH9075-3W (V72962)) (OPT T6S1032J (V71087)) (OPT VN303A02 (V92215)) (OPT 96-02 (V80539)) (OPT BRH10A3 (V52828))	B-F, N-U,X ,Y,A S-CM	2
278	BACR15FT6AD		..RIVET- (SIZE DETERMINE ON INST)	B-F, N-U,A S-BM, BQ-CK	34
279	BACR15FT7AD7		..RIVET	X,Y,B N,BP, CL,CM	32
279H	BACR15FT7AD8		..RIVET	X,Y,B N,BP, CL,CM	2
280	114T4262-23		..PANEL-COVE	B-F,T ,X,A S-BP	1
-282	114T4262-24		..PANEL-COVE	N-S,U ,Y,B Q-CM	1
284	BACR15BA3AD		..RIVET- (SIZE DETERMINE ON INST)	B-F, N-U,A S-BM, BQ-CK	20
285	BACR15BA3AD		..RIVET- (SIZE DETERMINE ON INST)	X,Y,B N,BP, CL,CM	16

# 57-43-45

 ILLUSTRATED PARTS LIST  
 01.1 Page 1054F  
 Nov 01/00

FIG. & ITEM	PART NO.	AIRLINE PART NUMBER	NOMENCLATURE 1234567	EFF CODE	QTY PER ASSY
03-285H	BACR15BA3AD7		..RIVET	X,Y,B N,BP, CL,CM	4
286	BACN10JQ32		..NUTPLATE	B-F, N-U,X ,Y,A S-CM	2
288	BACN10JQ33		..NUTPLATE	B-F, N-U,X ,Y,A S-CM	4
290	NS103225-02		..NUTPLATE- (V80539) (SPEC BACN10KH3) (OPT RMF9209M3 (V72962)) (OPT RMF9209M3 (V72962))	B-F, N-U,X ,Y,A S-CM	4
291	114T4110-29		..STIFFENER	B-F, N-U,X ,Y,A S-CM	1
292	BACB30NN3K6		..BOLT	B-F, N-U,X ,Y,A S-CM	14
294	BACB30NT3K7		..BOLT	B-F, N-U,X ,Y,A S-CM	60
294D	BACB30NT3K7		..BOLT- (USED ON ITEMS 7B, 7D, 8B, 8D)	B-F, N-U,X ,Y,A S-CM	4
294H	BACB30NM3K10		..BOLT- (REWORK DWG 114T4182-1, 114T4182-2) (USED ON ITEMS 7, 8)	B,C,X ,AS-A Z,B N-BX, CL,CM	2
294M	BACB30NN3K9		..BOLT- (REWORK DWG 114T4182-1, 114T4182-2) (USED ON ITEMS 7, 8)	B,C,X ,AS-A Z,B N-BX, CL,CM	2

57-43-45



FIG. & ITEM	PART NO.	AIRLINE PART NUMBER	NOMENCLATURE 1234567	EFF CODE	QTY PER ASSY
03-295	BACR15CE5KE		..RIVET	B-F, N-U,X ,Y,A S-CM	2
296	114T4262-15		..PANEL-COVE (USED ON ITEM 7)	B,C,X ,AS-A Z,BN, BP	1
-296A	114T4262-27		..PANEL-COVE (USED ON ITEM 7B)	B-F,T ,X,A S-BP	1
-298	114T4262-16		..PANEL-COVE (USED ON ITEM 8)	N,P,Y ,BQ-B X,CL, CM	1
-298A	114T4262-28		..PANEL-COVE (USED ON ITEM 8B)	N-S,U ,Y,B Q-CM	1
300	BACR15BA3AD		..RIVET- (SIZE DETERMINE ON INST)	B-F, N-U,X ,Y,A S-CM	92
302	BACN10JQ33		..NUTPLATE	B-F, N-U,X ,Y,A S-CM	3
304	BACN10JQ34		..NUTPLATE	B-F, N-U,X ,Y,A S-CM	10

# 57-43-45

 ILLUSTRATED PARTS LIST  
 01.1 Page 1054H  
 Nov 01/00

114T4102  
 015T0165  
 015T1507  
 DASH NUMBERS LIMITED

 **BOEING**  
 COMPONENT  
 MAINTENANCE MANUAL

FIG. & ITEM	PART NO.	AIRLINE PART NUMBER	NOMENCLATURE 1234567	EFF CODE	QTY PER ASSY
03-306	BACN10JQ35		..NUTPLATE	B-F, N-U,X ,Y,A S-CM	25
307	BACN10JQ36		..NUTPLATE	B-F, N-U,X ,Y,A S-CM	8
308	NS103225-02		..NUTPLATE- (V80539) (SPEC BACN10KH3) (OPT RMF9209M3 (V72962)) (OPT RMF9209M3 (V72962))	B-F, N-U,X ,Y,A S-CM	4
310	NAS1195DD3KH		..SHIM	B-F, N-U,X ,Y,A S-CM	2
311	114T4110-31		..STIFFENER	B-F, N-U,X ,Y,A S-CM	1
311G	114T4110-33		..STIFFENER	B-F,T ,X,A S-BP	1
-311K	114T4110-34		..STIFFENER	N-S,U ,Y,B Q-CM	1

**57-43-45**

ILLUSTRATED PARTS LIST  
 01.1 Page 1054I  
 Nov 01/00

FIG. & ITEM	PART NO.	AIRLINE PART NUMBER	NOMENCLATURE 1234567	EFF CODE	QTY PER ASSY
03-312	BACB30NU3K5		..BOLT	B-F, N-U,X ,Y,A S-CM	13
314	BACB30NT3K5		..BOLT	B-F, N-U,X ,Y,A S-CM	2
316	BACR15FT5AD		..RIVET- (SIZE DETERMINE ON INST)	B-F, N-U,X ,Y,A S-CM	29
318	BACR15FT6AD		..RIVET- (SIZE DETERMINE ON INST)	B-F, N-U,X ,Y,A S-CM	1
320	BACF3F009E180NN		..FILLER	B-F, N-U,X ,Y,A S-CM	1
322	114T4262-17		..PANEL-COVE	B-F,T ,X,A S-BP	1
-324	114T4262-18		..PANEL-COVE	N-S,U ,Y,B Q-CM	1
326	BACR15BA3AD		..RIVET- (SIZE DETERMINE ON INST)	B-F, N-U,X ,Y,A S-CM	28
328	BACN10JQ32		..NUTPLATE	B-F, N-U,X ,Y,A S-CM	1
330	BACN10JQ33		..NUTPLATE	B-F, N-U,X ,Y,A S-CM	12
332	NS103225-02		..NUTPLATE- (V80539) (SPEC BACN10KH3) (OPT RMF9209M3 (V72962)) (OPT RMF9209M3 (V72962))	B-F, N-U,X ,Y,A S-CM	1

**57-43-45**

FIG. & ITEM	PART NO.	AIRLINE PART NUMBER	NOMENCLATURE 1234567	EFF CODE	QTY PER ASSY
03-333	114T4110-35		..STIFFENER	B-F, N-U,X ,Y,A S-CM	1
334	BACB30NW6K		..BOLT- (SIZE DETERMINE ON INST)	B-F, N-U,X ,Y,A S-CM	34
336	AN960PD10		..WASHER	B-F, N-U,X ,Y,A S-CM	34
338	HL79-6		..COLLAR- (V56878) (SPEC BACC30M6) (OPT HL79-6 (V73197)) (OPT HL79-6 (V92215)) (OPT 66014-6 (V56878)) (OPT HL79-6 (V5M902))	B-F, N-U,X ,Y,A S-CM	34
340	BACR15CE5KE		..RIVET- (SIZE DETERMINE ON INST)	B-F, N-U,X ,Y,A S-CM	130
341	114T4101-23		..WASHER	B-F, N-U,X ,Y,A S-CM	44
342	114T4175-3		..SHIELD-THRM BARRIER	B-F, N-U,X ,Y,A S-CM	2
344	114T4175-4		..SHIELD-THRM BARRIER	B-F, N-U,X ,Y,A S-CM	2
346	114T4175-9		..SHIELD-THRM BARRIER	B-F,T ,X,A S-BP	1
-348	114T4175-10		..SHIELD-THRM BARRIER	N-S,U ,Y,B Q-CM	1

**57-43-45**

FIG. & ITEM	PART NO.	AIRLINE PART NUMBER	NOMENCLATURE 1234567	EFF CODE	QTY PER ASSY
03-350	114T4175-11		..SHIELD-THRM BARRIER	B-F, N-U,X ,Y,A S-CM	1
352	114T4175-12		..SHIELD-THRM BARRIER	B-F, N-U,X ,Y,A S-CM	1
354	114T4175-13		..SEAL-THRM BARRIER	B-F,T ,X,A S-BP	1
-356	114T4175-14		..SHIELD-THRM BARRIER	N-S,U ,Y,B Q-CM	1
358	114T4174-1		..SEAL-RUBBER	B-F, N-U,X ,Y,A S-CM	2
360	114T4174-3		..SEAL-RUBBER	B-F, N-U,X ,Y,A S-CM	3
362	114T4174-7		..SEAL-RUBBER	B-F, N-U,X ,Y,A S-CM	2
364	114T4174-9		..SEAL-RUBBER	B-F, N-U,X ,Y,A S-CM	1
366	114T4174-10		..SEAL-RUBBER	B-F, N-U,X ,Y,A S-CM	1
368	114T4174-11		..SEAL-RUBBER	B-F, N-U,X ,Y,A S-CM	1

# 57-43-45

114T4102  
 015T0165  
 015T1507  
 DASH NUMBERS LIMITED

 **BOEING**  
 COMPONENT  
 MAINTENANCE MANUAL

FIG. & ITEM	PART NO.	AIRLINE PART NUMBER	NOMENCLATURE 1234567	EFF CODE	QTY PER ASSY
03-370	114T4174-12		..SEAL-RUBBER	B-F, N-U,X ,Y,A S-CM	4
372	114T4174-13		..SEAL-RUBBER	B-F, N-U,X ,Y,A S-CM	2
374	114T4174-14		..SEAL-RUBBER	B-F, N-U,X ,Y,A S-CM	1
376	114T4174-21		..SEAL-RUBBER	B-F, N-U,X ,Y,A S-CM	1
378	114T4173-3		..SEAL-SPONGE	B-F, N-U,X ,Y,A S-CM	16
380	114T4112-7		..WEDGE ASSY-TE (OPT ITEM 380A) (PRE SB 767-57A0039) (PRE SB 767-57A0057)	B-F,T ,X	1
-380A	114T4112-9		..WEDGE ASSY-TE (OPT ITEM 380) (PRE SB 767-57A0039) (PRE SB 767-57A0057)	B-F,T ,X	1
-380B	114T4112-17		..WEDGE ASSY-TE (POST SB 767-57A0057)	AS-AU ,AY, BA-BC ,BG,B J,BL BNBL	1
-380C	114T4112-21		..WEDGE ASSY-TE (POST SB 767-57A0057)	AV-AX ,AZ,B D-BF, BH,BK ,BM BPM	1

**57-43-45**

ILLUSTRATED PARTS LIST  
 01.1 Page 1054M  
 Nov 01/00

FIG. & ITEM	PART NO.	AIRLINE PART NUMBER	NOMENCLATURE 1234567	EFF CODE	QTY PER ASSY
03- -382	114T4112-8		..WEDGE ASSY-TE (OPT ITEM 382A) (PRE SB 767-57A0039) (PRE SB 767-57A0057)	N-S,U ,Y	1
-382A	114T4112-10		..WEDGE ASSY-TE (OPT ITEM 382) (PRE SB 767-57A0039) (PRE SB 767-57A0057)	N-S,U ,Y	1
-382B	114T4112-18		..WEDGE ASSY-TE (POST SB 767-57A0057)	BQ-BS ,BW,B Y-CA, CE,CG ,CJ CLJ	1
-382C	114T4112-22		..WEDGE ASSY-TE (POST SB 767-57A0057)	BT-BV ,BX, CB-CD ,CF,C H,CK CMCK	1
383	BACS40R08C19F		..SHIM	B-F, N-U,X ,Y,A S-CM	6
384	BACB30NW6K		ATTACHING PARTS DELETED		
385	BACS40R08C17F		..SHIM	B-F, N-U,X ,Y,A S-CM	1
386	HL79-6		DELETED		
387	BACS40R08C09F		..SHIM	B-F, N-U,X ,Y,A S-CM	2
388	BACR15CE5KE		DELETED		
390	114T4157-1		..PANEL ASSY-ACCESS	B-F,T ,X,A S-BP	1
-392	114T4157-2		..PANEL ASSY-ACCESS	N-S,U ,Y,B Q-CM	1

# 57-43-45

FIG. & ITEM	PART NO.	AIRLINE PART NUMBER	NOMENCLATURE 1234567	EFF CODE	QTY PER ASSY
03-394	114T4157-3		..PANEL ASSY-ACCESS	B-F,T ,X,A S-BP	1
-396	114T4157-4		..PANEL ASSY-ACCESS	N-S,U ,Y,B Q-CM	1
398	BACB30NN3K5		..BOLT	B,C,N ,P,X, Y,A S-AZ, BN-BX CL,CM	56
398A	BACB30NN3K5		..BOLT	D-F, Q-U, BA-BM ,BY-C K	58
400	BACR15BA3AD		..RIVET- (SIZE DETERMINE ON INST)	B,C,N ,P,X, Y,A S-AZ, BN-BX CL,CM	96
400A	BACR15BA3AD		..RIVET- (SIZE DETERMINE ON INST)	D-F, Q-U, BA-BM ,BY-C K	100
402	BACN10JQ34		..NUTPLATE	B,C,N ,P,X, Y,A S-AZ, BN-BX CL,CM	30
402A	BACN10JQ34		..NUTPLATE	D-F, Q-U, BA-BM ,BY-C K	32

**57-43-45**



FIG. & ITEM	PART NO.	AIRLINE PART NUMBER	NOMENCLATURE 1234567	EFF CODE	QTY PER ASSY
03-404	BACN10JQ33		..NUTPLATE	B-F, N-U,X ,Y,A S-CM	7
406	BACN10JQ32		..NUTPLATE	B-F, N-U,X ,Y,A S-CM	7
408	NS103225-02		..NUTPLATE- (V80539) (SPEC BACN10KH3) (OPT RMF9209M3 (V72962)) (OPT RMF9209M3 (V72962))	B-F, N-U,X ,Y,A S-CM	4
410	NAS1195DD3KH		..SHIM	B-F, N-U,X ,Y,A S-CM	4
410G	114T4912-5		..FITTING ASSY-INSERT	B-F,T ,X,A S-BP	1
-410L	114T4912-6		..FITTING ASSY-INSERT	N-S,U ,Y,B Q-CM	1
411	114T4912-3		..FITTING ASSY-INSERT	B-F,T ,X,A S-BP	1
-411D	114T4912-4		..FITTING ASSY-INSERT	N-S,U ,Y,B Q-CM	1
411G	BACR15BA5A		..RIVET- (SIZE DETERMINE ON INST)	B-F, N-U,X ,Y,A S-CM	4

# 57-43-45

FIG. & ITEM	PART NO.	AIRLINE PART NUMBER	NOMENCLATURE 1234567	EFF CODE	QTY PER ASSY
03-411M	BACB30NN3K5		..BOLT	B-F, N-U,X ,Y,A S-CM	4
			-----*		
412	BACR15BA3AD		..RIVET- (SIZE DETERMINE ON INST)	B-F, N-U,X ,Y,A S-CM	8
414	BACN10JQ33		..NUTPLATE	B-F, N-U,X ,Y,A S-CM	4
416	114T4602-21		..RIB ASSY-ACTR	B-F,T ,X,A S-BP	1
-418	114T4602-22		..RIB ASSY-ACTR	N-S,U ,Y,B Q-CM	1
420	114T4603-21		..RIB ASSY-ACTR	B-F,T ,X,A S-BP	1
-422	114T4603-22		..RIB ASSY-ACTR	N-S,U ,Y,B Q-CM	1
424	BACB30NU3K7		ATTACHING PARTS ..BOLT	B,C,N ,P,X, Y,A S-AZ, BN-BX CL,CM	4

57-43-45

FIG. & ITEM	PART NO.	AIRLINE PART NUMBER	NOMENCLATURE 1234567	EFF CODE	QTY PER ASSY
03-426	BACB30NU3K5		..BOLT	B,C,N ,P,X, Y,A S-AZ, BN-BX CL,CM	6
428	AN960PD10		..WASHER	B,C,N ,P,X, Y,A S-AZ, BN-BX CL,CM	10
430	H10-3BAC		..NUT- (V15653) (SPEC BACN10JC3) (OPT NS202101-02 (V80539)) (OPT RMLH9075-3W (V72962)) (OPT T6S1032J (V71087)) (OPT VN303A02 (V92215)) (OPT 96-02 (V80539)) (OPT BRH10A3 (V52828))	B,C,N ,P,X, Y,A S-AZ, BN-BX CL,CM	10
432	BACB30NW6K		..BOLT- (SIZE DETERMINE ON INST)	B,C,N ,P,X, Y,A S-AZ, BN-BX CL,CM	4
433	BACB30NW5K		..BOLT- (SIZE DETERMINE ON INST)	B,C,N ,P,X, Y,A S-AZ, BN-BX CL,CM	6
433G	BACB30MY6K		..BOLT- (SIZE DETERMINE ON INST)	B,C,N ,P,X, Y,A S-AZ, BN-BX CL,CM	2

# 57-43-45

 ILLUSTRATED PARTS LIST  
 01.1 Page 1054R  
 Nov 01/00

FIG. & ITEM	PART NO.	AIRLINE PART NUMBER	NOMENCLATURE 1234567	EFF CODE	QTY PER ASSY
03-434	HL79-6		..COLLAR- (V56878) (SPEC BACC30M6) (OPT HL79-6 (V73197)) (OPT HL79-6 (V92215)) (OPT 66014-6 (V56878)) (OPT HL79-6 (V5M902))	B,C,N ,P,X, Y,A S-AZ, BN-BX CL,CM	6
435	HL70-5		..COLLAR- (V56878) (SPEC BACC30M5) (OPT HL70-5 (V73197)) (OPT HL70-5 (V92215)) (OPT 66014-5 (V56878)) (OPT HL79-5 (V5M902))	B,C,N ,P,X, Y,A S-AZ, BN-BX CL,CM	6
435G	BACR15FT5AD		..RIVET- (SIZE DETERMINE ON INST)	B,C,N ,P,X, Y,A S-AZ, BN-BX CL,CM	8
436	BACS4OR08C16F		..SHIM	B,C,N ,P,X, Y,A S-AZ, BN-BX CL,CM	4
437	BACF3F005R005NN		..FILLER	B,C,N ,P,X, Y,A S-AZ, BN-BX CL,CM	2
			-----*-----		

**57-43-45**

FIG. & ITEM	PART NO.	AIRLINE PART NUMBER	NOMENCLATURE 1234567	EFF CODE	QTY PER ASSY
03-438	BACB28AM07B020A		...BUSHING	B,C,N ,P,X, Y,A S-AZ, BN-BX CL,CM	1
440	BACB28AP05P019		...BUSHING	B,C,N ,P,X, Y,A S-AZ, BN-BX CL,CM	1
442	BACR15BA3AD		...RIVET- (SIZE DETERMINE ON INST)	B,C,N ,P,X, Y,A S-AZ, BN-BX CL,CM	32
444	BACN10JQ34		...NUTPLATE	B-F, N-U,X ,Y,A S-CM	4
446	BACN10JQ35		...NUTPLATE	B-F, N-U,X ,Y,A S-CM	10
448	NS103225-02		...NUTPLATE- (V80539) (SPEC BACN10KH3) (OPT RMF9209M3 (V72962)) (OPT RMF9209M3 (V72962))	B-F, N-U,X ,Y,A S-CM	2

# 57-43-45

 ILLUSTRATED PARTS LIST  
 01.1 Page 1054T  
 Nov 01/00

114T4102  
 015T0165  
 015T1507  
 DASH NUMBERS LIMITED

 **BOEING**  
 COMPONENT  
 MAINTENANCE MANUAL

FIG. & ITEM	PART NO.	AIRLINE PART NUMBER	NOMENCLATURE 1234567	EFF CODE	QTY PER ASSY
03-450	NAS1195DD3KH		...SHIM	B-F, N-U,X ,Y,A S-CM	4
452	114T4602-23		...RIB- (USED ON ITEM 416)	B-F,T ,X,A S-BP	1
-454	114T4602-24		...RIB- (USED ON ITEM 418)	N-S,U ,Y,B Q-CM	1
456	114T4603-23		...RIB- (USED ON ITEM 420)	B-F,T ,X,A S-BP	1
-458	114T4603-24		...RIB- (USED ON ITEM 422)	N-S,U ,Y,B Q-CM	1
459	NAS1195DD3KH		..SHIM	B-F, N-U,X ,Y,A S-CM	4
460	114T4402-9		DELETED		
-460A	114T4402-13		DELETED		
460B	BACB30MY6K5		..BOLT- (REWORK DWG 114T4182-1, 114T4182-2) (USED ON ITEMS 7, 8)	B,C,N ,P,X, Y,A S-AZ, BN-BX CL,CM	8

**57-43-45**

ILLUSTRATED PARTS LIST  
 01.1 Page 1054U  
 Nov 01/00

FIG. & ITEM	PART NO.	AIRLINE PART NUMBER	NOMENCLATURE 1234567	EFF CODE	QTY PER ASSY
03-460F	H10-3BAC		..NUT- (V15653) (SPEC BACN10JC3) (OPT NS202101-02 (V80539)) (OPT RMLH9075-3W (V72962)) (OPT T6S1032J (V71087)) (OPT VN303A02 (V92215)) (OPT 96-02 (V80539)) (OPT BRH10A3 (V52828)) (REWORK DWG 114T4182-1, 114T4182-2) (USED ON ITEMS 7, 8)	B,C,N ,P,X, Y,A S-AZ, BN-BX CL,CM	8
460K	114T6419-1		..FITTING-SLAT CLOSURE PNL SPRT (REWORK DWG 114T4182-1, 114T4182-2) (USED ON ITEMS 7, 8)	B,C,N ,P,X, Y,A S-AZ, BN-BX CL,CM	2
460P	114T6419-2		..FITTING-SLAT CLOSURE PNL SPRT (REWORK DWG 114T4182-1, 114T4182-2) (USED ON ITEMS 7, 8)	B,C,N ,P,X, Y,A S-AZ, BN-BX CL,CM	2
460T	BACS12ER3C15		..SCREW- (REWORK DWG 114T4182-1, 114T4182-2) (USED ON ITEMS 7, 8)	B,C,N ,P,X, Y,A S-AZ, BN-BX CL,CM	4

**57-43-45**

FIG. & ITEM	PART NO.	AIRLINE PART NUMBER	NOMENCLATURE 1234567	EFF CODE	QTY PER ASSY
03-461	H10-3BAC		..NUT- (V15653) (SPEC BACN10JC3) (OPT NS202101-02 (V80539)) (OPT RMLH9075-3W (V72962)) (OPT T6S1032J (V71087)) (OPT VN303A02 (V92215)) (OPT 96-02 (V80539)) (OPT BRH10A3 (V52828)) (REWORK DWG 114T4182-1, 114T4182-2) (USED ON ITEMS 7, 8)	B,C,N ,P,X, Y,A S-AZ, BN-BX CL,CM	4
461D	BACR15CE5AD		..RIVET- (SIZE DETERMINE ON INST) (REWORK DWG 114T4182-1, 114T4182-2) (USED ON ITEMS 7, 8)	B,C,N ,P,X, Y,A S-AZ, BN-BX CL,CM	4
461H	114T6415-1		..PLATE-PIVOT FTG (REWORK DWG 114T4182-1, 114T4182-2) (USED ON ITEMS 7, 8)	B,C,N ,P,X, Y,A S-AZ, BN-BX CL,CM	4
461M	BACB30MY10K10		..BOLT- (REWORK DWG 114T4182-1, 114T4182-2) (USED ON ITEMS 7, 8)	B,C,N ,P,X, Y,A S-AZ, BN-BX CL,CM	4

**57-43-45**



FIG. & ITEM	PART NO.	AIRLINE PART NUMBER	NOMENCLATURE 1234567	EFF CODE	QTY PER ASSY
03-461R	HL82-10APBW		..COLLAR- (V73197) (SPEC BACC30AG10) (OPT HL82-10APBW (V56878)) (OPT HL82-10APBW (V92215)) (REWORK DWG 114T4182-1, 114T4182-2) (USED ON ITEMS 7, 8)	B,C,N ,P,X, Y,A S-AZ, BN-BX CL,CM	4
461V	BACS40R12C29F		..SHIM- (REWORK DWG 114T4182-1, 114T4182-2) (USED ON ITEMS 7, 8)	B,C,N ,P,X, Y,A S-AZ, BN-BX CL,CM	2
-462	114T4402-10		DELETED		
-462A	114T4402-14		DELETED		
463	BACB30NT3K22		..BOLT- (USED ON ITEMS 7B, 7D, 8B, 8D)	B-F, N-U,X ,Y,A S-CM	4
464	BACB30NU3K8		..BOLT	B-F, N-U,X ,Y,A S-CM	8
466	BACB30NU3K5		..BOLT	B-F, N-U,X ,Y,A S-CM	8
468	AN960PD10		..WASHER	B-F, N-U,X ,Y,A S-CM	16
469	AN960PD10		..WASHER- (USED ON ITEMS 7B, 7D, 8B, 8D)	B-F, N-U,X ,Y,A S-CM	8

57-43-45

FIG. & ITEM	PART NO.	AIRLINE PART NUMBER	NOMENCLATURE 1234567	EFF CODE	QTY PER ASSY
03-470	H10-3BAC		..NUT- (V15653) (SPEC BACN10JC3) (OPT NS202101-02 (V80539)) (OPT RMLH9075-3W (V72962)) (OPT T6S1032J (V71087)) (OPT VN303A02 (V92215)) (OPT 96-02 (V80539)) (OPT BRH10A3 (V52828))	B-F, N-U,X ,Y,A S-CM	16
471	H10-3BAC		..NUT- (V15653) (SPEC BACN10JC3) (OPT NS202101-02 (V80539)) (OPT RMLH9075-3W (V72962)) (OPT T6S1032J (V71087)) (OPT VN303A02 (V92215)) (OPT 96-02 (V80539)) (OPT BRH10A3 (V52828)) (USED ON ITEMS 7B, 7D, 8B, 8D)	B-F, N-U,X ,Y,A S-CM	4
472	BACB30NW6K		..BOLT- (SIZE DETERMINE ON INST)	B-F, N-U,X ,Y,A S-CM	16
474	BACB30MY6K		..BOLT- (SIZE DETERMINE ON INST)	B-F, N-U,X ,Y,A S-CM	6

**57-43-45**

FIG. & ITEM	PART NO.	AIRLINE PART NUMBER	NOMENCLATURE 1234567	EFF CODE	QTY PER ASSY
03-476	HL79-6		..COLLAR- (V56878) (SPEC BACC30M6) (OPT HL79-6 (V73197)) (OPT HL79-6 (V92215)) (OPT 66014-6 (V56878)) (OPT HL79-6 (V5M902))	B-F, N-U,X ,Y,A S-CM	22
477	HST10AG6-4		..BOLT- (V06725) (SPEC BACB30VT6K4) (OPT HST10AG6-4 (V73197)) (OPT HST10AG6-4 (V56878)) (OPT HST10AG6-4 (V0PTK6))	B-F, N-U,X ,Y,A S-CM	12
478 479	BACR15FT6AD HST79CY6		DELETED ..COLLAR- (V73197) (SPEC BACC30BL6) (OPT HST79-6 (V56878)) (OPT HST79-6 (V92215)) (OPT HST79-6 (V5M902))	B-F, N-U,X ,Y,A S-CM	12

# 57-43-45

 ILLUSTRATED PARTS LIST  
 01.1 Page 1054Z  
 Nov 01/00

FIG. & ITEM	PART NO.	AIRLINE PART NUMBER	NOMENCLATURE 1234567	EFF CODE	QTY PER ASSY
03-480	BACS4OR08C16F		..SHIM- (USED ON ITEMS 7, 8)	B,C,N ,P,X, Y,A S-AZ, BN-BX CL,CM	2
480A	BACS4OR08C21F		..SHIM- (USED ON ITEMS 7B, 8B)	B-F, N-U,X ,Y,A S-CM	2
481	BACF3F005R005NN		..FILLER	B-F, N-U,X ,Y,A S-CM	4
481C	BACB30NW6K9X		..BOLT- (REWORK DWG 114T4182-1, 114T4182-2) (USED ON ITEMS 7, 8)	B,C,N ,P,X, Y,A S-AZ, BN-BX CL,CM	4
481F	HL79-6		..COLLAR- (V56878) (SPEC BACC30M6) (OPT HL79-6 (V73197)) (OPT HL79-6 (V92215)) (OPT 66014-6 (V56878)) (OPT HL79-6 (V5M902)) (REWORK DWG 114T4182-1, 114T4182-2) (USED ON ITEMS 7, 8)	B,C,N ,P,X, Y,A S-AZ, BN-BX CL,CM	4
481J	BACB30LL3-7		..BOLT- (REWORK DWG 114T4182-1, 114T4182-2) (USED ON ITEMS 7, 8)	B,C,N ,P,X, Y,A S-AZ, BN-BX CL,CM	2

57-43-45

FIG. & ITEM	PART NO.	AIRLINE PART NUMBER	NOMENCLATURE 1234567	EFF CODE	QTY PER ASSY
03-481M	H10-3BAC		..NUT- (V15653) (SPEC BACN10JC3) (OPT NS202101-02 (V80539)) (OPT RMLH9075-3W (V72962)) (OPT T6S1032J (V71087)) (OPT VN303A02 (V92215)) (OPT 96-02 (V80539)) (OPT BRH10A3 (V52828)) (REWORK DWG 114T4182-1, 114T4182-2) (USED ON ITEMS 7, 8)	B,C,N ,P,X, Y,A S-AZ, BN-BX CL,CM	2
481Q	114T6415-2		..FILLER- (REWORK DWG 114T4182-1, 114T4182-2) (USED ON ITEMS 7, 8)	B,C,N ,P,X, Y,A S-AZ, BN-BX CL,CM	1
481T	114T6415-3		..FILLER- (REWORK DWG 114T4182-1, 114T4182-2) (USED ON ITEMS 7, 8)	B,C,N ,P,X, Y,A S-AZ, BN-BX CL,CM	1
481W	114T6415-5		..FILLER- (REWORK DWG 114T4182-1, 114T4182-2) (USED ON ITEMS 7, 8)	B,C,N ,P,X, Y,A S-AZ, BN-BX CL,CM	4
481Z	BACS40R08C34F		..SHIM- (REWORK DWG 114T4182-1, 114T4182-2) (USED ON ITEMS 7, 8)	B,C,N ,P,X, Y,A S-AZ, BN-BX CL,CM	2
482	BACB28AM13B023A		DELETED		
482B	BACB28AM11B040A		DELETED		

# 57-43-45

 ILLUSTRATED PARTS LIST  
 01.1 Page 1056  
 Nov 01/00

FIG. & ITEM	PART NO.	AIRLINE PART NUMBER	NOMENCLATURE 1234567	EFF CODE	QTY PER ASSY
03-482C	114T4402-9		..RIB ASSY-MAIN TRACK (REWORK DWG 114T4182-3) (USED ON ITEM 7)	B,C,X ,AS-A Z,B N-BP	1
482G	114T4402-13		..RIB ASSY-MAIN TRACK (USED ON ITEM 7B)	B-F,T ,X,A S-BP	1
-483	114T4402-10		..RIB ASSY-MAIN TRACK (REWORK DWG 114T4182-2) (USED ON ITEM 8)	N,P,Y ,BQ-B X,CL, CM	1
-483G	114T4402-14		..RIB ASSY-MAIN TRACK (USED ON ITEM 8B)	N-S,U ,Y,B Q-CM	1
484	BACB28AP09P022		DELETED		
484B	BACB28AP08P039		...BUSHING- (USED ON ITEMS 482G, 483G)	B-F, N-U,X ,Y,A S-CM	1
485	BACB28AM11B040A		...BUSHING- (USED ON ITEMS 482G, 483G)	B-F, N-U,X ,Y,A S-CM	1
486	BACR15BA3AD		...RIVET- (SIZE DETERMINE ON INST) (USED ON ITEMS 482C, 483)	B,C,N ,P,X, Y,A S-AZ, BN-BX CL,CM	36
486B	BACR15BA3AD		...RIVET- (SIZE DETERMINE ON INST) (USED ON ITEMS 482G, 483G)	B-F, N-S,X ,Y,A S-CM	32
488	BACN10JQ33		...NUTPLATE- (USED ON ITEMS 482C, 483)	B,C,N ,P,X, Y,A S-AZ, BN-BX CL,CM	16
488B	BACN10JQ33		...NUTPLATE- (USED ON ITEMS 482G, 483G)	B-F, N-U,X ,Y,A S-CM	14

57-43-45

FIG. & ITEM	PART NO.	AIRLINE PART NUMBER	NOMENCLATURE 1234567	EFF CODE	QTY PER ASSY
03-490	NS103225-02		...NUTPLATE- (V80539) (SPEC BACN10KH3) (OPT RMF9209M3 (V72962)) (OPT RMF9209M3 (V72962))	B-F, N-U,X ,Y,A S-CM	2
492	NAS1195DD3KH		...SHIM	B-F, N-U,X ,Y,A S-CM	2
494	114T4402-11		...RIB- (USED ON ITEM 482C)	B,C,X ,AS-A Z,BN, BP	1
494B	114T4402-15		...RIB- (USED ON ITEM 482G)	B-F,T ,X,A S-BP	1
-496	114T4402-12		...RIB- (USED ON ITEM 483)	N,P,Y ,BQ-B X,CL, CM	1
-496B	114T4402-16		...RIB- (USED ON ITEM 483G)	N-S,U ,Y,B Q-CM	1
498	114T4403-9		DELETED		
-498A	114T4403-13		DELETED		
-500	114T4403-10		DELETED		
-500A	114T4403-14		DELETED		
501	BACB30NT3K22		ATTACHING PARTS		
501A	114T4188-1		DELETED ..FITTING ASSY-MAIN TRACK RIB PIVOT (REWORK DWG 114T4182-1) (USED ON ITEM 7)	B,C,X ,AS-A Z,BN, BP	1

# 57-43-45

 ILLUSTRATED PARTS LIST  
 01.1 Page 1056B  
 Nov 01/00

114T4102  
 015T0165  
 015T1507  
 DASH NUMBERS LIMITED

 **BOEING**  
 COMPONENT  
 MAINTENANCE MANUAL

FIG. & ITEM	PART NO.	AIRLINE PART NUMBER	NOMENCLATURE 1234567	EFF CODE	QTY PER ASSY
03-502 -502A	BACB30NU3K8 114T4188-2		DELETED ..FITTING ASSY-MAIN TRACK RIB PIVOT (REWORK DWG 114T4182-2) (USED ON ITEM 8)	N,P,Y ,BQ-B X,CL, CM	1
503	012T2400-42		...BUSHING	B,C,N ,P,X, Y,A S-AZ, BN-BX CL,CM	1
504 504A	BACB30NU3K5 BACB28AM11B020A		DELETED ...BUSHING	B,C,N ,P,X, Y,A S-AZ, BN-BX CL,CM	1
505	114T4188-3		...FITTING	B,C,X ,AS-A Z,BN, BP	1
506 -506A	AN960PD10 114T4188-4		DELETED ...FITTING	N,P,Y ,BQ-B X,CL, CM	1
507	114T4189-1		..FITTING ASSY-MAIN TRACK RIB PIVOT (REWORK DWG 114T4182-1) (USED ON ITEM 7)	B,C,X ,AS-A Z,BN, BP	1

**57-43-45**

ILLUSTRATED PARTS LIST  
 01.1 Page 1056C  
 Nov 01/00



FIG. & ITEM	PART NO.	AIRLINE PART NUMBER	NOMENCLATURE 1234567	EFF CODE	QTY PER ASSY
03-508 -508A	H10-3BAC 114T4189-2		DELETED ..FITTING ASSY-MAIN TRACK RIB PIVOT (REWORK DWG 114T4182-2) (USED ON ITEM 8)	N,P,Y ,BQ-B X,CL, CM	1
509	012T2400-42		...BUSHING	B,C,N ,P,X, Y,A S-AZ, BN-BX CL,CM	1
510 510A	BACB30NW6K BACB28AM11B020A		DELETED ...BUSHING	B,C,N ,P,X, Y,A S-AZ, BN-BX CL,CM	1
511	114T4189-3		...FITTING	B,C,X ,AS-A Z,BN, BP	1
512 -512A	BACB30MY6K 114T4189-4		DELETED ...FITTING	N,P,Y ,BQ-B X,CL, CM	1
514	HL79-6		DELETED		
516	BACR15FT6AD		DELETED		
518	BACS40R08C16F		DELETED		
518A	BACS40R08C21F		DELETED		
519	BACF3F005R005NN		DELETED		
520	BACB28AM13B023A		DELETED		

# 57-43-45

 ILLUSTRATED PARTS LIST  
 01.1 Page 1056D  
 Nov 01/00

FIG. & ITEM	PART NO.	AIRLINE PART NUMBER	NOMENCLATURE 1234567	EFF CODE	QTY PER ASSY
03- 520B 520C	BACB28AM11B040A 114T4403-9		DELETED ..RIB ASSY-MAIN TRACK (REWORK DWG 114T4182-5) (USED ON ITEM 7)	B,C,X ,AS-A Z,BN, BP	1
520G	114T4403-13		..RIB ASSY-MAIN TRACK (USED ON ITEM 7B)	B-F,T ,X,A S-BP	1
-521	114T4403-10		..RIB ASSY-MAIN TRACK (REWORK DWG 114T4182-6) (USED ON ITEM 8)	N,P,Y ,BQ-B X,CL, CM	1
-521G	114T4403-14		..RIB ASSY-MAIN TRACK (USED ON ITEM 8B)	N-S,U ,Y,B Q-CM	1
522 522B	BACB28AP09P022 BACB28AP08P039		DELETED ...BUSHING- (USED ON ITEMS 520G, 521G)	B-F, N-U,X ,Y,A S-CM	1
523	BACB28AM11B040A		...BUSHING- (USED ON ITEMS 520G, 521G)	B-F, N-U,X ,Y,A S-CM	1
524	BACR15BA3AD		...RIVET- (SIZE DETERMINE ON INST) (USED ON ITEMS 520C, 521)	B,C,N ,P,X, Y,A S-AZ, BN-BX CL,CM	40
524B	BACR15BA3AD		...RIVET- (SIZE DETERMINE ON INST) (USED ON ITEMS 520G, 521G)	B-F, N-U,X ,Y,A S-CM	32
526	BACN10JQ33		...NUTPLATE- (USED ON ITEMS 520C, 521)	B,C,N ,P,X, Y,A S-AZ, BN-BX CL,CM	18
526B	BACN10JQ33		...NUTPLATE- (USED ON ITEMS 520G, 521G)	B-F, N-U,X ,Y,A S-CM	14

57-43-45

FIG. & ITEM	PART NO.	AIRLINE PART NUMBER	NOMENCLATURE 1234567	EFF CODE	QTY PER ASSY
03-528	NS103225-02		...NUTPLATE- (V80539) (SPEC BACN10KH3) (OPT RMF9209M3 (V72962)) (OPT RMF9209M3 (V72962))	B-F, N-U,X ,Y,A S-CM	2
530	NAS1195DD3KH		...SHIM	B-F, N-U,X ,Y,A S-CM	2
532	114T4403-11		...RIB- (USED ON ITEMS 520C)	B,C,X ,AS-A Z,BN, BP	1
532B	114T4403-15		...RIB- (USED ON ITEMS 520G)	B-F,T ,X,A S-BP	1
-534	114T4403-12		...RIB- (USED ON ITEM 521)	N,P,Y ,BQ-B X,CL, CM	1
-534B	114T4403-16		...RIB- (USED ON ITEM 521G)	N-S,U ,Y,B Q-CM	1
536	114T4514-1		..RIB ASSY-AUX	B,C,A S-AZ	1
-536A	114T4514-5		..RIB ASSY-AUX	D-F,T ,BA-B M	1
-536B	114T4514-9		..RIB ASSY-AUX	X,BN, BP	1

# 57-43-45

 ILLUSTRATED PARTS LIST  
 01.1 Page 1056F  
 Nov 01/00

FIG. & ITEM	PART NO.	AIRLINE PART NUMBER	NOMENCLATURE 1234567	EFF CODE	QTY PER ASSY
03- -538	114T4514-2		..RIB ASSY-AUX	N,P,B Q-BX	1
-538A	114T4514-6		..RIB ASSY-AUX	Q-S,U ,BY-C K	1
-538B	114T4514-10		..RIB ASSY-AUX	Y,CL, CM	1
540	114T4515-1		..RIB ASSY-AUX	B,C,A S-AZ	1
-540A	114T4515-5		..RIB ASSY-AUX	D-F,T ,BA-B M	1
-540B	114T4515-9		..RIB ASSY-AUX	X,BN, BP	1
-542	114T4515-2		..RIB ASSY-AUX	N,P,B Q-BX	1
-542A	114T4515-6		..RIB ASSY-AUX	Q-S,U ,BY-C K	1
-542B	114T4515-10		..RIB ASSY-AUX	Y,CL, CM	1
544	BACB30NT3K6		..BOLT	B-F, N-U,X ,Y,A S-CM	4
546 546A	BACB30NU3K5 HL11VAZ5-5		DELETED ..BOLT- (V56878) (SPEC BACB30NW5K5) (OPT B30NW5K5 (V97928)) (OPT HL11VAZ5-5 (V73197)) (OPT HL11VAZ5-5 (V92215)) (OPT HL11VAZ5-5 (V97928)) (OPT L803-5K5 (V06725)) (OPT HL11VAZ5-5 (V0PTK6)) (OPT HL11VAZ5-5 (V60516))	B-F, N-U,A S-BM, BQ-CK	4

57-43-45

FIG. & ITEM	PART NO.	AIRLINE PART NUMBER	NOMENCLATURE 1234567	EFF CODE	QTY PER ASSY
03-546B	BACB30NU3K5		..BOLT	X,Y,B N,BP, CL,CM	4
548	AN960PD10		..WASHER	B-F, N-U,X ,Y,A S-CM	4
548A	BACW10P43AL		..WASHER	B-F, N-U,X ,Y,A S-CM	4
549	AN960PD10		..WASHER	X,Y,B N,BP, CL,CM	4
549H	H10-3BAC		..NUT- (V15653) (SPEC BACN10JC3) (OPT NS202101-02 (V80539)) (OPT RMLH9075-3W (V72962)) (OPT T6S1032J (V71087)) (OPT VN303A02 (V92215)) (OPT 96-02 (V80539)) (OPT BRH10A3 (V52828))	X,Y,B N,BP, CL,CM	4

# 57-43-45

 ILLUSTRATED PARTS LIST  
 01.1 Page 1056H  
 Nov 01/00

FIG. & ITEM	PART NO.	AIRLINE PART NUMBER	NOMENCLATURE 1234567	EFF CODE	QTY PER ASSY
03-550	H10-3BAC		..NUT- (V15653) (SPEC BACN10JC3) (OPT NS202101-02 (V80539)) (OPT RMLH9075-3W (V72962)) (OPT T6S1032J (V71087)) (OPT VN303A02 (V92215)) (OPT 96-02 (V80539)) (OPT BRH10A3 (V52828))	B-F, N-U,A S-BM, BQ-CK	4
551	HL70-5		..COLLAR- (V56878) (SPEC BACC30M5) (OPT HL70-5 (V73197)) (OPT HL70-5 (V92215)) (OPT 66014-5 (V56878)) (OPT HL79-5 (V5M902))	B-F, N-U,A S-BM, BQ-CK	4
552	BACB30NW6K		..BOLT- (SIZE DETERMINE ON INST)	B-F, N-U,A S-BM, BQ-CK	14
553	BACB30ND6A4X		..BOLT- (OPT ITEM 553A)	X,Y,B N,BP, CL,CM	4

**57-43-45**

FIG. & ITEM	PART NO.	AIRLINE PART NUMBER	NOMENCLATURE 1234567	EFF CODE	QTY PER ASSY
03- -553A	HL11VAZ6-4X		..BOLT- (V60516) (SPEC BACB30NW6K4X) (OPT HL11VAZ6-4X (VOPTK6)) (OPT HL11VAZ6-4X (V97928)) (OPT B30NW6K4X (V97928)) (OPT L803-6K4X (V06725)) (OPT HL11VAZ6-4X (V92215)) (OPT HL11VAZ6-4X (V73197)) (OPT HL11VAZ6-4X (V56878)) (OPT ITEM 553)	X,Y,B N,BP, CL,CM	4
553H	BACB30ND6A3X		..BOLT- (OPT ITEM 553J)	X,Y,B N,BP, CL,CM	6
-553J	HL11VAZ6-3X		..BOLT- (V60516) (SPEC BACB30NW6K3X) (OPT HL11VAZ6-3X (VOPTK6)) (OPT HL11VAZ6-3X (V97928)) (OPT B30NW6K3X (V97928)) (OPT L803-6K3X (V06725)) (OPT HL11VAZ6-3X (V92215)) (OPT HL11VAZ6-3X (V73197)) (OPT HL11VAZ6-3X (V56878)) (OPT ITEM 553K)	X,Y,B N,BP, CL,CM	6

**57-43-45**

ILLUSTRATED PARTS LIST  
01.1 Page 1056J  
Nov 01/00

FIG. & ITEM	PART NO.	AIRLINE PART NUMBER	NOMENCLATURE 1234567	EFF CODE	QTY PER ASSY
03-553R	BACB30ND6A6X		..BOLT- (OPT ITEM 553S)	X,Y,B N,BP, CL,CM	4
-553S	BACB30NW6D6X		..BOLT- (OPT ITEM 553R)	X,Y,B N,BP, CL,CM	4
554	BACB30MY6K		..BOLT- (SIZE DETERMINE ON INST)	B-F, N-U,A S-BM, BQ-CK	2
555	HL442A6-3		..BOLT- (V97928) (SPEC BACB30FP6A3) (OPT HL442A6-3 (V92215)) (OPT HL442A6-3 (V80539)) (OPT HL442A6-3 (V73197)) (OPT HL442A6-3 (V56878)) (OPT HL442A6-3 (V06725))	X,Y,B N,BP, CL,CM	2
555H	HL11VAZ6-3		..BOLT- (V56878) (SPEC BACB30NW6K3) (OPT B30NW6K3 (V97928)) (OPT HL11VAZ6-3 (V73197)) (OPT HL11VAZ6-3 (V92215)) (OPT HL11VAZ6-3 (V97928)) (OPT L803-6K3 (V06725)) (OPT HL11VAZ6-3 (V0PTK6)) (OPT HL11VAZ6-3 (V60516))	X,Y,B N,BP, CL,CM	8

57-43-45



FIG. & ITEM	PART NO.	AIRLINE PART NUMBER	NOMENCLATURE 1234567	EFF CODE	QTY PER ASSY
03-556	HL79-6		..COLLAR- (V56878) (SPEC BACC30M6) (OPT HL79-6 (V73197)) (OPT HL79-6 (V92215)) (OPT 66014-6 (V56878)) (OPT HL79-6 (V5M902))	B-F, N-U,A S-BM, BQ-CK	16
557	HL79-6		..COLLAR- (V56878) (SPEC BACC30M6) (OPT HL79-6 (V73197)) (OPT HL79-6 (V92215)) (OPT 66014-6 (V56878)) (OPT HL79-6 (V5M902))	X,Y,B N,BP, CL,CM	24
558	BACR15FT5AD		..RIVET- (SIZE DETERMINE ON INST)	B-F, N-U,A S-BM, BQ-CK	8
559	BACF3F005R005NN		..FILLER	B-F, N-U,X ,Y,A S-CM	2

**57-43-45**

FIG. & ITEM	PART NO.	AIRLINE PART NUMBER	NOMENCLATURE 1234567	EFF CODE	QTY PER ASSY
03-560	BACS4OR08C08F		..SHIM	B-F, N-U,X ,Y,A S-CM	2
562 562A	BACB28AP04P019 012T2400-45		-----*----- DELETED ...BUSHING	B-F, N-U,X ,Y,A S-CM	2
564 566 568 568A	BACR15BA3AD NS103225-02 HL11VAZ5-4 HL441N5-3		DELETED DELETED DELETED ...BOLT- (V56878) (SPEC BACB30FN5A3N) (OPT HL441N5-3 (V73197)) (OPT HL441N5-3 (V92215)) (OPT HL441N5-3 (V97928)) (OPT HL441N5-3 (V08524)) (OPT HL19-5A3N (V06725)) (OPT L839-5A3N (V06725)) (OPT ITEM 568B)	B-F, N-U,X ,Y,A S-CM	4

**57-43-45**

FIG. & ITEM	PART NO.	AIRLINE PART NUMBER	NOMENCLATURE 1234567	EFF CODE	QTY PER ASSY
03-568B	HL441UC5-3		...BOLT- (V56878) (SPEC BACB30FN5A3) (OPT HL441UC5-3 (V73197)) (OPT HL441UC5-3 (V92215)) (OPT HL441UC5-3 (V97928)) (OPT HL41PY5-3 (V80539)) (OPT HL441N5-3 (V80539)) (OPT HL441UC5-3 (V80539)) (OPT 67068-5A3 (V56878)) (OPT 67068-5A3 (V56878)) (OPT HL19-5A3 (V06725)) (OPT L839-5A3 (V06725)) (OPT ITEM 568A)	B-F, N-U,X ,Y,A S-CM	4
570	AN960PD8L		...WASHER	B-F, N-U,X ,Y,A S-CM	4
572	BACN10JC08CD		...NUT- (OPT ITEM 572A)	B-F, N-U,X ,Y,A S-CM	4

**57-43-45**

ILLUSTRATED PARTS LIST  
 01.1 Page 1056N  
 Nov 01/00

114T4102  
 015T0165  
 015T1507  
 DASH NUMBERS LIMITED

 **BOEING**  
 COMPONENT  
 MAINTENANCE MANUAL

FIG. & ITEM	PART NO.	AIRLINE PART NUMBER	NOMENCLATURE 1234567	EFF CODE	QTY PER ASSY
03- -572A	H10-08BAC		...NUT- (V15653) (SPEC BACN10JC08) (OPT NS202101-82 (V80539)) (OPT RMLH9075-82W (V72962)) (OPT T6S832J (V71087)) (OPT VN303A82 (V92215)) (OPT 96-82 (V80539)) (OPT BRH10A08 (V52828)) (OPT ITEM 572)	B-F, N-U,X ,Y,A S-CM	4
574	114T4522-1		DELETED		
574A	114T4149-1		...PLATE-RUB	B-F, N-U,X ,Y,A S-CM	2
574B	114T4149-2		...PLATE-RUB	B-F, N-U,X ,Y,A S-CM	2
576	114T4514-3		...RIB- (USED ON ITEM 536)	B,C,A S-AZ	1
-576A	114T4514-7		...RIB- (USED ON ITEM 536A)	D-F,T ,BA-B M	1
-576B	114T4514-11		...RIB- (USED ON ITEM 536B)	X,BN, BP	1

**57-43-45**

ILLUSTRATED PARTS LIST  
 01.1 Page 10560  
 Nov 01/00

FIG. & ITEM	PART NO.	AIRLINE PART NUMBER	NOMENCLATURE 1234567	EFF CODE	QTY PER ASSY
03- -578	114T4514-4		...RIB- (USED ON ITEM 538)	N,P,B Q-BX	1
-578A	114T4514-8		...RIB- (USED ON ITEM 538A)	Q-S,U ,BY-C K	1
-578B	114T4514-12		...RIB- (USED ON ITEM 538B)	Y,CL, CM	1
580	114T4515-3		...RIB- (USED ON ITEM 540)	B,C,A S-AZ	1
-580A	114T4515-7		...RIB- (USED ON ITEM 540A)	D-F,T ,BA-B M	1
-580B	114T4515-11		...RIB- (USED ON ITEM 540B)	X,BN, BP	1
-582	114T4515-4		...RIB- (USED ON ITEM 542)	N,P,B Q-BX	1
-582A	114T4515-8		...RIB- (USED ON ITEM 542A)	Q-S,U ,BY-C K	1
-582B	114T4515-12		...RIB- (USED ON ITEM 542B)	Y,CL, CM	1
-584	114T4702-5		..RIB ASSY-AIR LOAD	B-F,T ,X,A S-BP	1
-586	114T4702-6		..RIB ASSY-AIR LOAD	N-S,U ,Y,B Q-CM	1
588	BACR15BA3AD		...RIVET- (SIZE DETERMINE ON INST)	B-F, N-U,X ,Y,A S-CM	12

# 57-43-45

 ILLUSTRATED PARTS LIST  
 01.1 Page 1056P  
 Nov 01/00

FIG. & ITEM	PART NO.	AIRLINE PART NUMBER	NOMENCLATURE 1234567	EFF CODE	QTY PER ASSY
03-590	BRFM20A3		...NUTPLATE- (V52828) (SPEC BACN10JN3) (OPT MF1000-3BAC (V15653)) (OPT NS103218-02 (V80539)) (OPT RMF9201M3 (V72962)) (OPT VN252A02 (V92215)) (OPT MF1000-3BAC (V15653)) (OPT MF53049-3 (V15653))	B-F, N-U,X ,Y,A S-CM	4
592	NS103225-02		...NUTPLATE- (V80539) (SPEC BACN10KH3) (OPT RMF9209M3 (V72962)) (OPT RMF9209M3 (V72962))	B-F, N-U,X ,Y,A S-CM	2
594	114T4903-5		..RIB ASSY-END	B-F,T ,X,A S-BP	1
-596	114T4903-6		..RIB ASSY-END	N-S,U ,Y,B Q-CM	1
598	BACR15BA3AD		...RIVET- (SIZE DETERMINE ON INST)	B-F, N-U,X ,Y,A S-CM	14
600	BACN10JQ33		...NUTPLATE	B-F, N-U,X ,Y,A S-CM	3

**57-43-45**

FIG. & ITEM	PART NO.	AIRLINE PART NUMBER	NOMENCLATURE 1234567	EFF CODE	QTY PER ASSY
03-602	BACN10JQ34		...NUTPLATE	B-F, N-U,X ,Y,A S-CM	2
604	BRFM20A3		...NUTPLATE- (V52828) (SPEC BACN10JN3) (OPT MF1000-3BAC (V15653)) (OPT NS103218-02 (V80539)) (OPT RMF9201M3 (V72962)) (OPT VN252A02 (V92215)) (OPT MF1000-3BAC (V15653)) (OPT MF53049-3 (V15653))	B-F, N-U,X ,Y,A S-CM	1
606	NS103225-02		...NUTPLATE- (V80539) (SPEC BACN10KH3) (OPT RMF9209M3 (V72962)) (OPT RMF9209M3 (V72962))	B-F, N-U,X ,Y,A S-CM	1
608	NAS1195DD3KH		...SHIM	B-F, N-U,X ,Y,A S-CM	2
610	BACR15BA3AD		..RIVET- (SIZE DETERMINE ON INST)	B-F, N-U,X ,Y,A S-CM	4

**57-43-45**

114T4102  
 015T0165  
 015T1507  
 DASH NUMBERS LIMITED

 **BOEING**  
 COMPONENT  
 MAINTENANCE MANUAL

FIG. & ITEM	PART NO.	AIRLINE PART NUMBER	NOMENCLATURE 1234567	EFF CODE	QTY PER ASSY
03-612	BRFM20A3		..NUTPLATE- (V52828) (SPEC BACN10JN3) (OPT MF1000-3BAC (V15653)) (OPT NS103218-02 (V80539)) (OPT RMF9201M3 (V72962)) (OPT VN252A02 (V92215)) (OPT MF1000-3BAC (V15653)) (OPT MF53049-3 (V15653))	B-F, N-U,X ,Y,A S-CM	2
614	114T4904-5		..RIB ASSY-END	B-F,T ,X,A S-BP	1
-616	114T4904-6		..RIB ASSY-END	N-S,U ,Y,B Q-CM	1
618	BACR15BA3AD		...RIVET- (SIZE DETERMINE ON INST)	B-F, N-U,X ,Y,A S-CM	10
620	BACN10JQ34		...NUTPLATE	B-F, N-S,X ,Y,A S-CM	3

**57-43-45**

ILLUSTRATED PARTS LIST  
 01.1 Page 1056S  
 Nov 01/00



FIG. & ITEM	PART NO.	AIRLINE PART NUMBER	NOMENCLATURE 1234567	EFF CODE	QTY PER ASSY
03-622	BRFM20A3		...NUTPLATE- (V52828) (SPEC BACN10JN3) (OPT MF1000-3BAC (V15653)) (OPT NS103218-02 (V80539)) (OPT RMF9201M3 (V72962)) (OPT VN252A02 (V92215)) (OPT MF1000-3BAC (V15653)) (OPT MF53049-3 (V15653))	B-F, N-U,X ,Y,A S-CM	1
624	NS103225-02		...NUTPLATE- (V80539) (SPEC BACN10KH3) (OPT RMF9209M3 (V72962)) (OPT RMF9209M3 (V72962))	B-F, N-U,X ,Y,A S-CM	1
626	NAS1195DD3KH		...SHIM	B-F, N-U,X ,Y,A S-CM	1
-628	114T4122-75		..BEAM ASSY-NOSE (USED ON ITEM 7)	B,C,X ,AS-A Z,BN, BP	1
-628A	114T4122-85		..BEAM ASSY-NOSE (USED ON ITEM 7B)	B-F,T ,X,A S-BP	1
-630	114T4122-76		..BEAM ASSY-NOSE (USED ON ITEM 8)	N,P,Y ,BQ-B X,CL, CM	1

# 57-43-45

FIG. & ITEM	PART NO.	AIRLINE PART NUMBER	NOMENCLATURE 1234567	EFF CODE	QTY PER ASSY
03- -630A	114T4122-86		..BEAM ASSY-NOSE (USED ON ITEM 8B)	N-S,U ,Y,B Q-CM	1
632	BACB30NT3K5		...BOLT	B-F, N-U,X ,Y,A S-CM	42
634	AN960PD10L		...WASHER	B-F, N-U,X ,Y,A S-CM	42
636	114T4119-1		...DOOR	B-F, N-S,X ,Y,A S-CM	3
638	BACR15BA3AD		...RIVET- (SIZE DETERMINE ON INST)	B-F, N-U,X ,Y,A S-CM	84
640	BACN10JQ32		...NUTPLATE	B-F, N-U,X ,Y,A S-CM	42
642	114T4119-2		...DOUBLER	B-F, N-U,X ,Y,A S-CM	3
643	BACS40R08C17F		..SHIM- (USED WITH ITEM 628A, 630A)	B-F, N-U,X ,Y,A S-CM	1
-644	114T4200-27		..SEAL INSTL	B-F,T ,X,A S-BP	1
-646	114T4200-28		..SEAL INSTL	N-S,U ,Y,B Q-CM	1
648	BACB30NN3K4		...BOLT	B-F, N-U,X ,Y,A S-CM	4
650	BACB30NT3K5		...BOLT	B-F, N-U,X ,Y,A S-CM	2

**57-43-45**

FIG. & ITEM	PART NO.	AIRLINE PART NUMBER	NOMENCLATURE 1234567	EFF CODE	QTY PER ASSY
03-652	BACW10P43AL		...WASHER	B-F, N-U,X ,Y,A S-CM	6
654	H10-3BAC		...NUT- (V15653) (SPEC BACN10JC3) (OPT NS202101-02 (V80539)) (OPT RMLH9075-3W (V72962)) (OPT T6S1032J (V71087)) (OPT VN303A02 (V92215)) (OPT 96-02 (V80539)) (OPT BRH10A3 (V52828))	B-F, N-U,X ,Y,A S-CM	4
656	114T4240-69		...SEAL	B-F,T ,X,A S-BP	1
-658	114T4240-70		...SEAL	N-S,U ,Y,B Q-CM	1
660	114T4240-71		...SEAL	B-F,T ,X,A S-BP	1
-662	114T4240-72		...SEAL	N-S,U ,Y,B Q-CM	1
-664	114T4200-15		..SEAL INSTL	B-F,T ,X,A S-BP	1
-666	114T4200-16		..SEAL INSTL	N-S,U ,Y,B Q-CM	1
668	BACB30NT3K2		...BOLT	B-F, N-U,X ,Y,A S-CM	1
670	BACB30NT3K4		...BOLT	B-F, N-U,X ,Y,A S-CM	14

# 57-43-45

 ILLUSTRATED PARTS LIST  
 01.1 Page 1056V  
 Nov 01/00

FIG. & ITEM	PART NO.	AIRLINE PART NUMBER	NOMENCLATURE 1234567	EFF CODE	QTY PER ASSY
03-672	BACN10P43AL		...WASHER	B-F, N-U,X ,Y,A S-CM	6
674	AN960PD10L		...WASHER	B-F, N-U,X ,Y,A S-CM	21
676	AN960PD10		...WASHER	B-F, N-U,X ,Y,A S-CM	1
678	H10-3BAC		...NUT- (V15653) (SPEC BACN10JC3) (OPT NS202101-02 (V80539)) (OPT RMLH9075-3W (V72962)) (OPT T6S1032J (V71087)) (OPT VN303A02 (V92215)) (OPT 96-02 (V80539)) (OPT BRH10A3 (V52828))	B-F, N-U,X ,Y,A S-CM	13
680	114T4221-15		...FITTING-ATTACH	B-F,T ,X,A S-BP	1
-682	114T4221-16		...FITTING-ATTACH	N-S,U ,Y,B Q-CM	1
684	114T4223-21		...SEAL-BLADE	B-F,T ,X,A S-BP	1
-686	114T4223-22		...SEAL-BLADE	N-S,U ,Y,B Q-CM	1
688	114T4222-27		...RETAINER	B-F,T ,X,A S-BP	1
-690	114T4222-28		...RETAINER	N-S,U ,Y,B Q-CM	1

**57-43-45**

FIG. & ITEM	PART NO.	AIRLINE PART NUMBER	NOMENCLATURE 1234567	EFF CODE	QTY PER ASSY
03-692	114T4221-23		...FITTING-ATTACH	B-F,T ,X,A S-BP	1
-694	114T4221-24		...FITTING-ATTACH	N-S,U ,Y,B Q-CM	1
696	114T4223-19		...SEAL	B-F,T ,X,A S-BP	1
-698	114T4223-20		...SEAL	N-S,U ,Y,B Q-CM	1
700	114T4222-2		...RETAINER	B-F, N-U,X ,Y,A S-CM	1
712	114T4240-57		...SEAL	B-F,T ,X,A S-BP	1
-714	114T4240-58		...SEAL	N-S,U ,Y,B Q-CM	1
716	114T4240-59		...SEAL	B-F,T ,X,A S-BP	1
-718	114T4240-60		...SEAL	N-S,U ,Y,B Q-CM	1
720	BACR15BB3AD		..RIVET- (SIZE DETERMINE ON INST)	B-F, N-U,X ,Y,A S-CM	4

**57-43-45**

FIG. & ITEM	PART NO.	AIRLINE PART NUMBER	NOMENCLATURE 1234567	EFF CODE	QTY PER ASSY
03-722	MS27253-1		..PLATE	B-F, N-U,X ,Y,A S-CM	1
724	BACR15BB4A		..RIVET- (SIZE DETERMINE ON INST)	B-F, N-U,X ,Y,A S-CM	2
726	BACR15CE6KE		..RIVET- (SIZE DETERMINE ON INST)	B-F, N-U,X ,Y,A S-CM	120
728	BACR15CE5KE		..RIVET- (SIZE DETERMINE ON INST)	B-F, N-U,X ,Y,A S-CM	14
730	BACB30NW6K		..BOLT- (SIZE DETERMINE ON INST)	B-F, N-U,X ,Y,A S-CM	10
732	HL79-6		..COLLAR- (V56878) (SPEC BACC30M6) (OPT HL79-6 (V73197)) (OPT HL79-6 (V92215)) (OPT 66014-6 (V56878)) (OPT HL79-6 (V5M902))	B-F, N-U,X ,Y,A S-CM	10

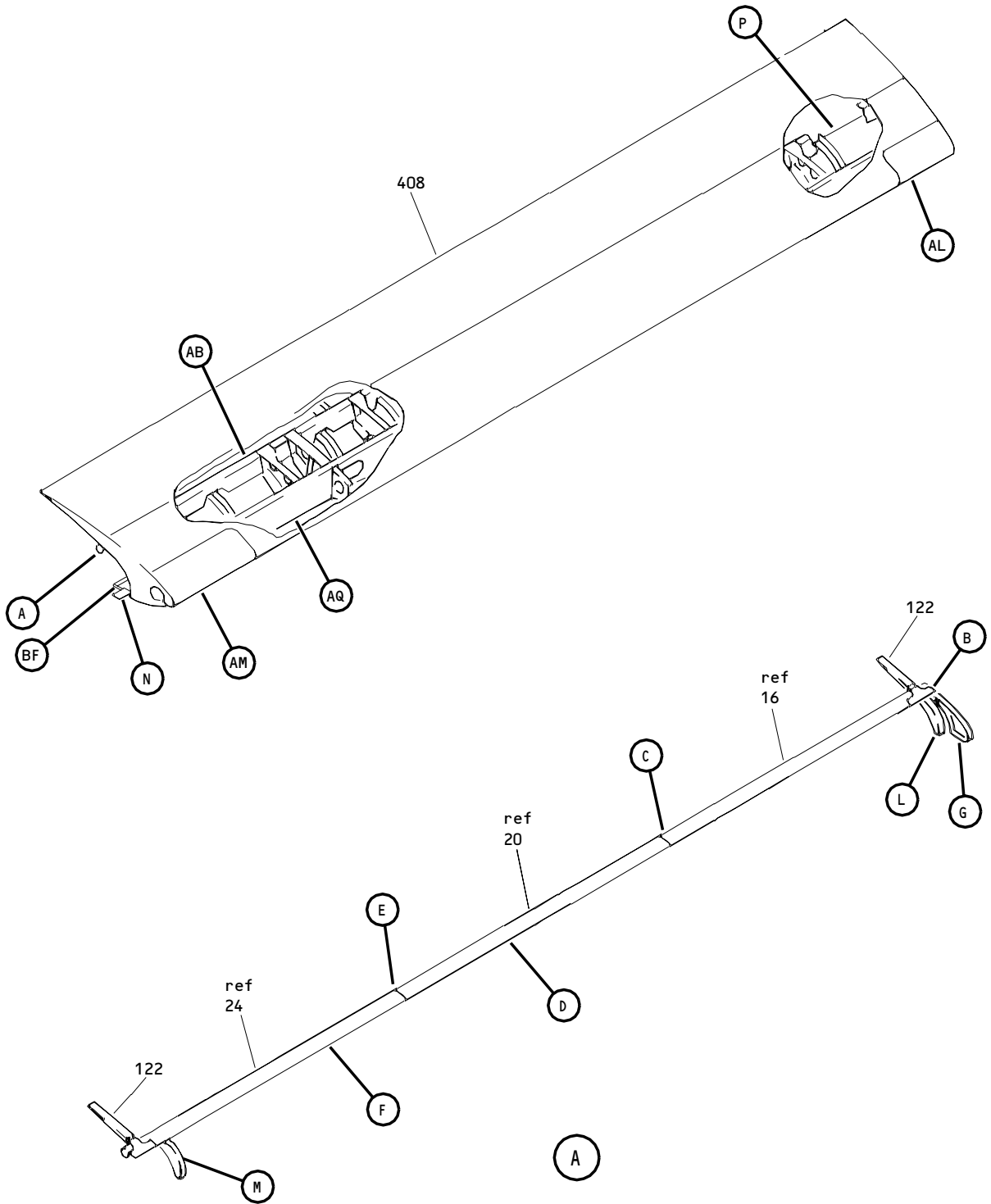
**57-43-45**

ILLUSTRATED PARTS LIST  
 01.1 Page 1056Y  
 Nov 01/00

FIG. & ITEM	PART NO.	AIRLINE PART NUMBER	NOMENCLATURE 1234567	EFF CODE	QTY PER ASSY
03-734	114T4151-13		..PANEL-LWR CLOSURE	B-F,T ,X,A S-BP	1
-736	114T4151-14		..PANEL-LWR CLOSURE	N-S,U ,Y,B Q-CM	1
738	114T4151-15		..PANEL-LWR CLOSURE	B-F,T ,X,A S-BP	1
-740	114T4151-16		..PANEL-LWR CLOSURE	N-S,U ,Y,B Q-CM B-F, N-U,X ,Y,A S-CM	1
960	114T4180-2		DELETED		
-960A	114T4180-12		DELETED		
-960B	114T4180-22		DELETED		
-960C	114T4180-32		DELETED		
965	ADB08V301NC		DELETED		
970	114T4180-7		DELETED		
-970A	114T4180-17		DELETED		
-970B	114T4180-27		DELETED		
-970C	114T4180-37		DELETED		

- Item Not Illustrated

**57-43-45**



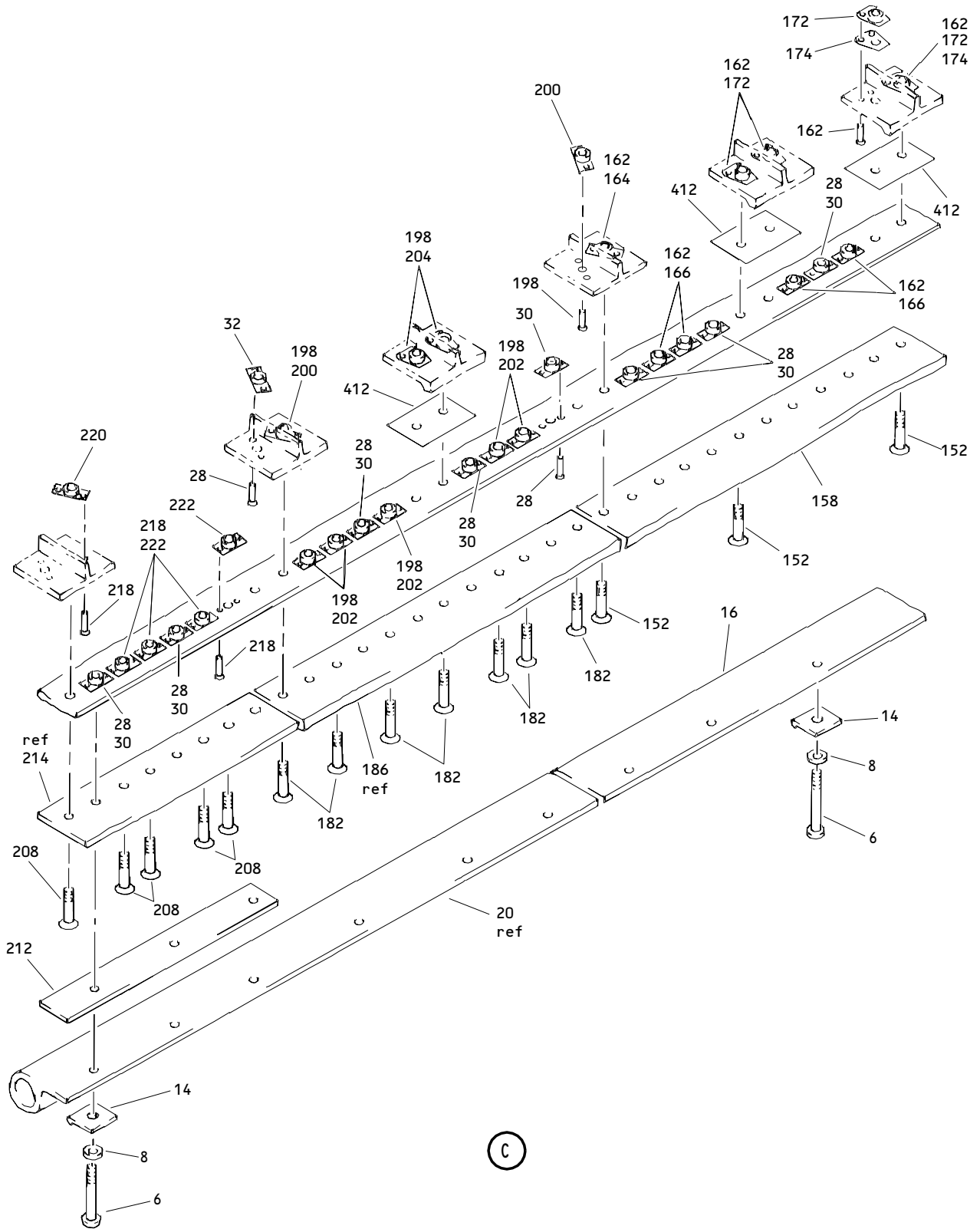
Outboard Slat No. 2 and 11 Wing Leading Edge Structure Assembly  
Figure 4 (Sheet 1)

**57-43-45**

ILLUSTRATED PARTS LIST  
01.1 Page 1057  
Nov 01/00



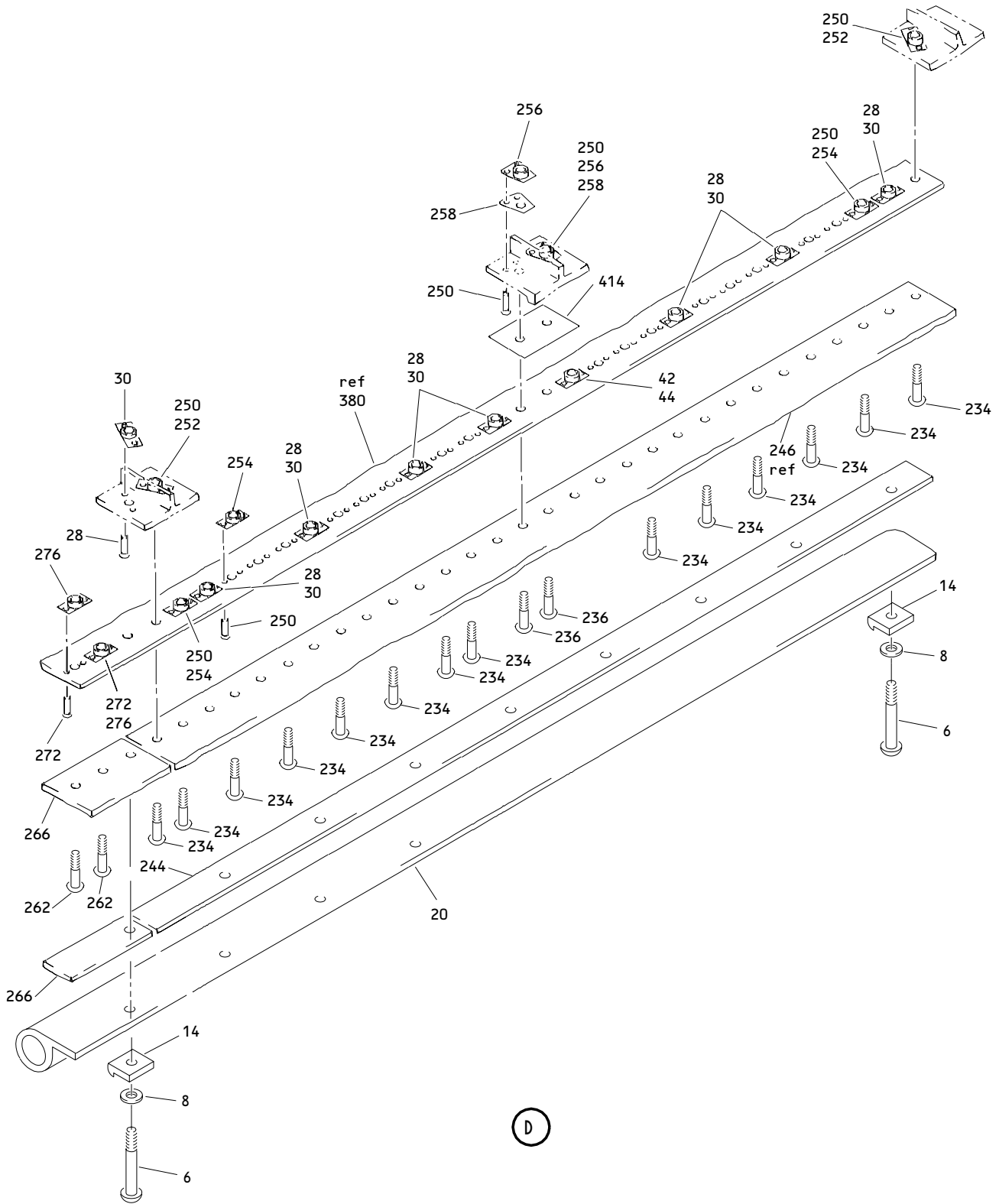




Outboard Slat No. 2 and 11 Wing Leading Edge Structure Assembly  
Figure 4 (Sheet 3)

**57-43-45**

ILLUSTRATED PARTS LIST  
01.1 Page 1058A  
Nov 01/00

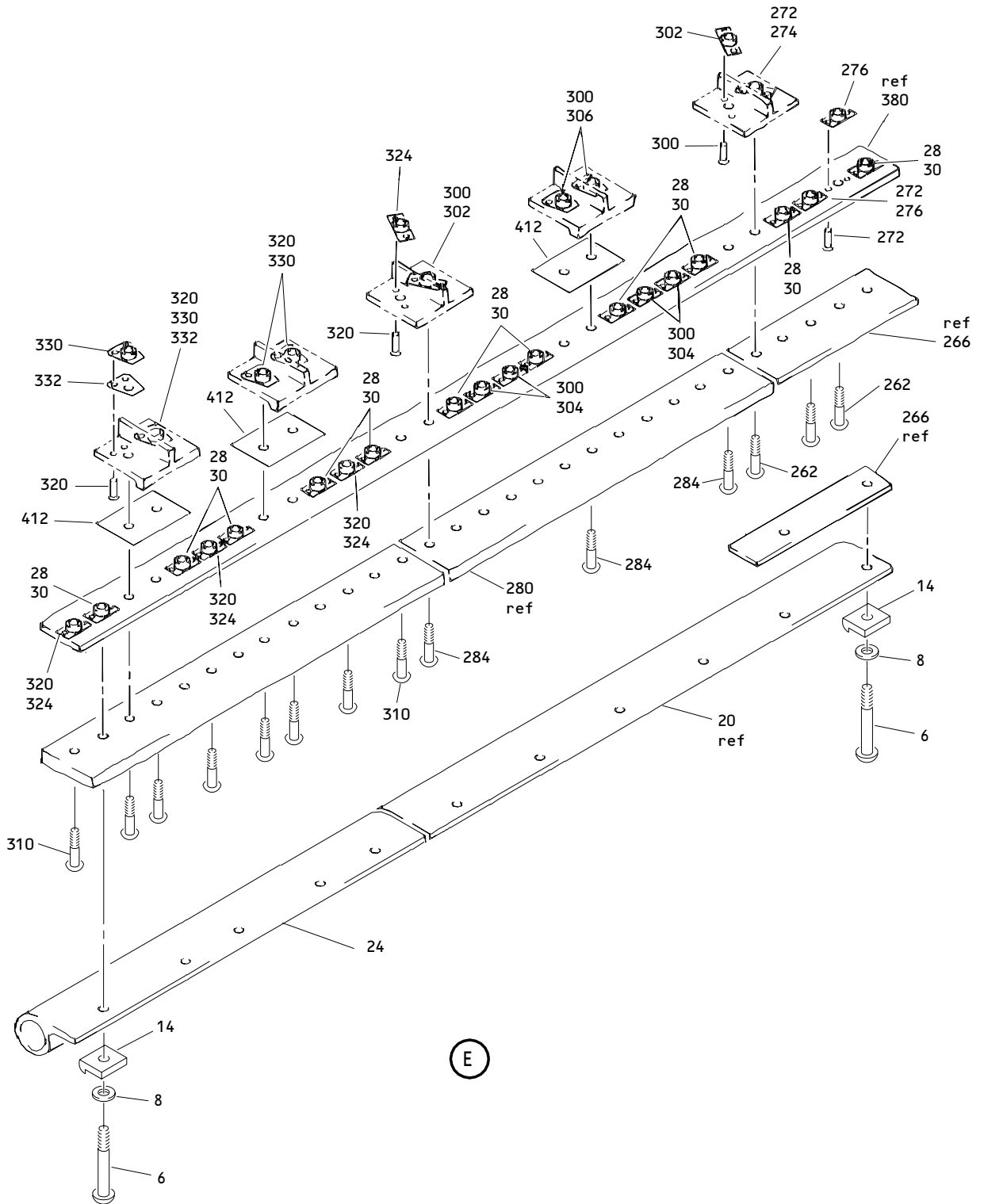


(D)

Outboard Slat No. 2 and 11 Wing Leading Edge Structure Assembly  
 Figure 4 (Sheet 4)

**57-43-45**

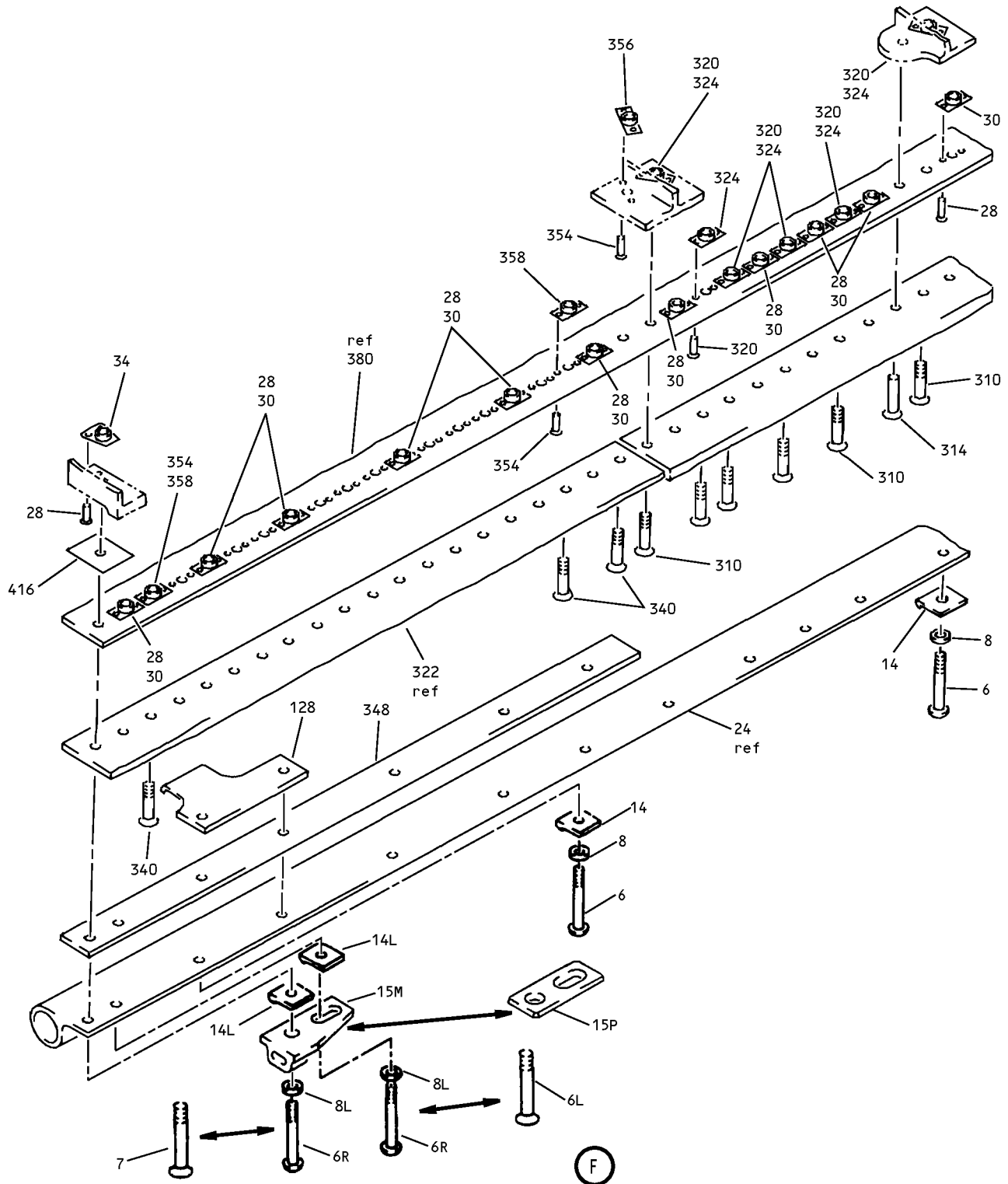
ILLUSTRATED PARTS LIST  
 01.1 Page 1058B  
 Nov 01/00



Outboard Slat No. 2 and 11 Wing Leading Edge Structure Assembly  
Figure 4 (Sheet 5)

**57-43-45**

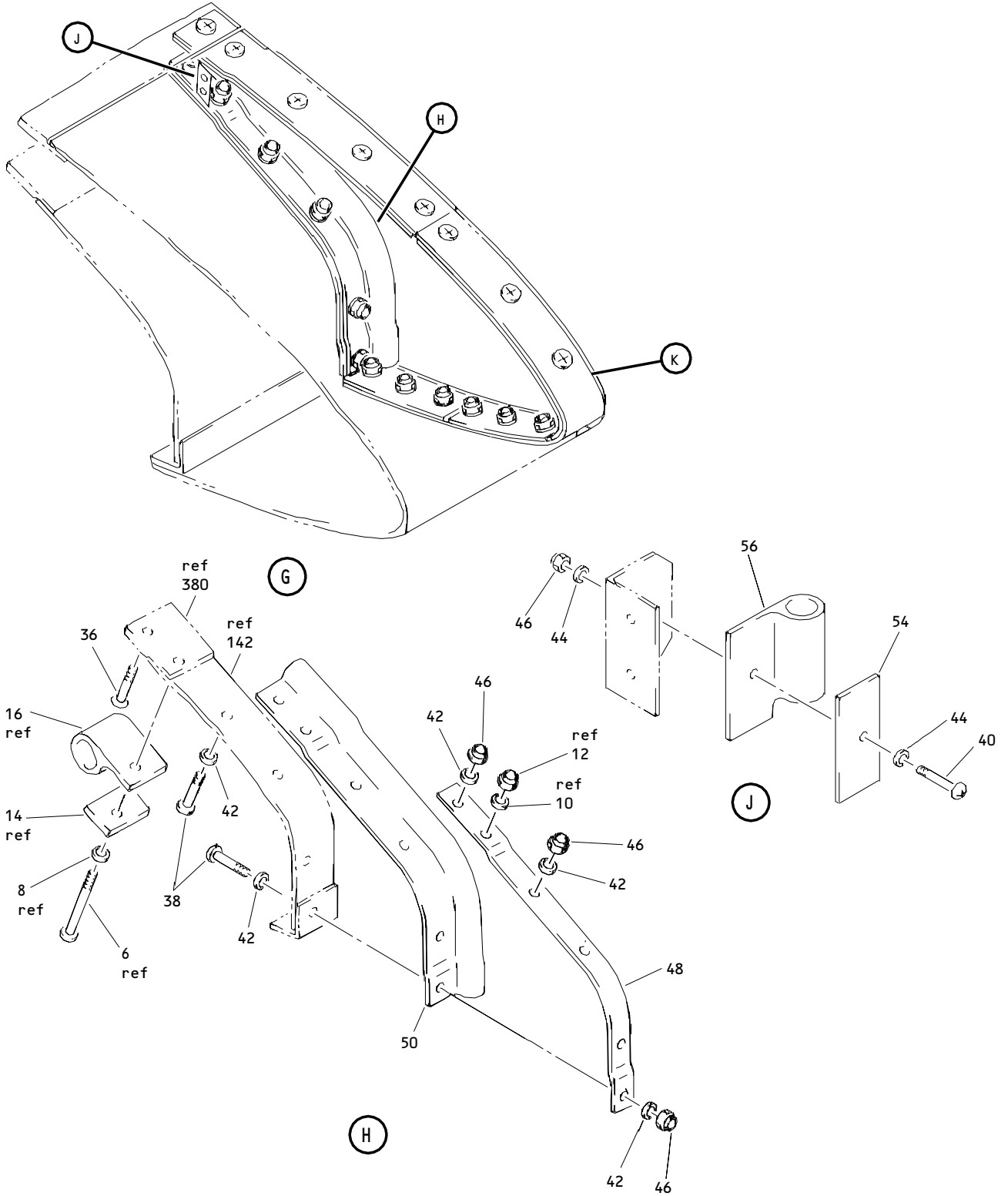
ILLUSTRATED PARTS LIST  
01.1 Page 1058C  
Nov 01/00



Outboard Slat No. 2 and 11 Wing Leading Edge Structure Assembly  
 Figure 4 (Sheet 6)

**57-43-45**

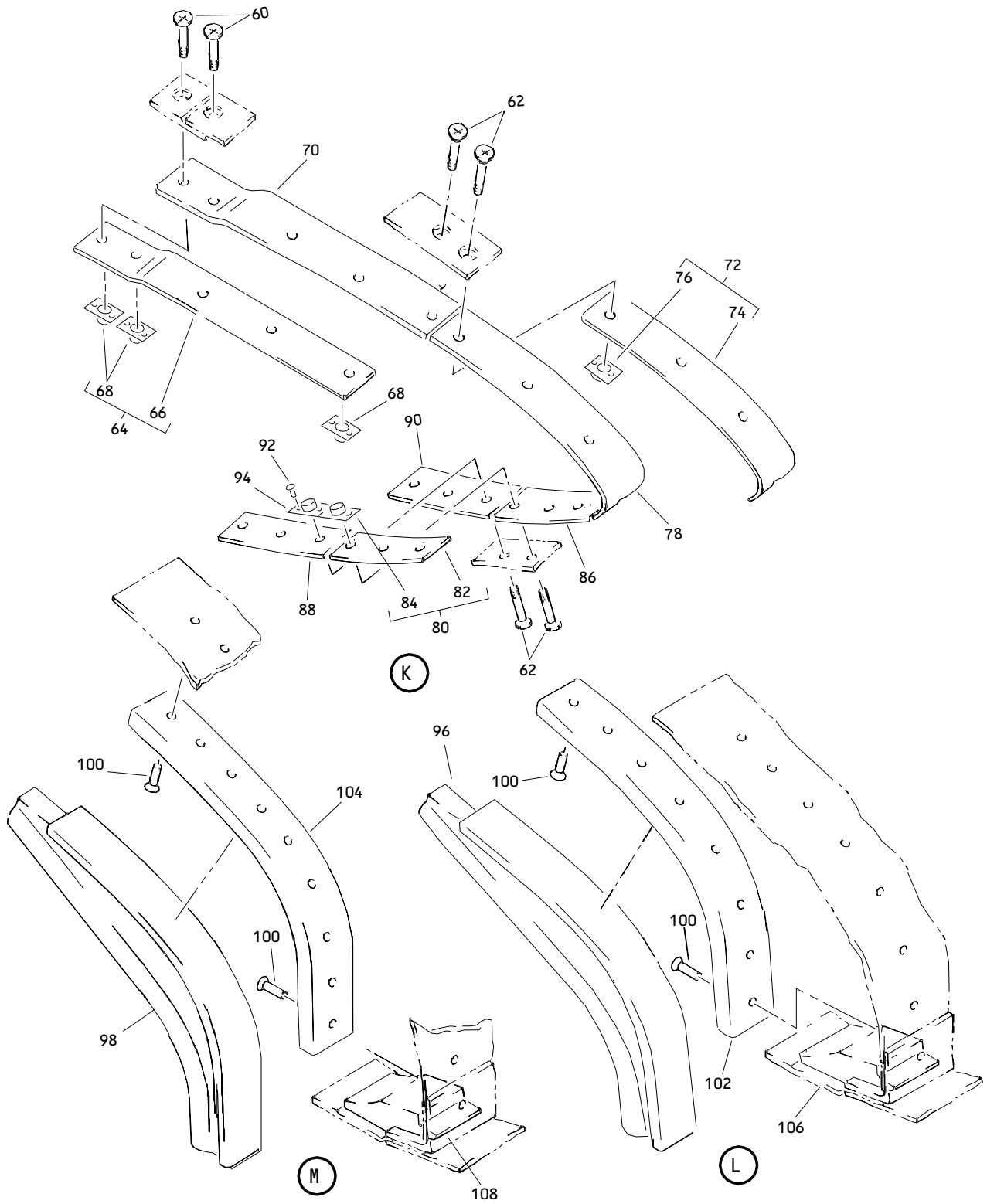
ILLUSTRATED PARTS LIST  
 01.1 Page 1058D  
 Nov 01/00



Outboard Slat No. 2 and 11 Wing Leading Edge Structure Assembly  
Figure 4 (Sheet 7)

**57-43-45**

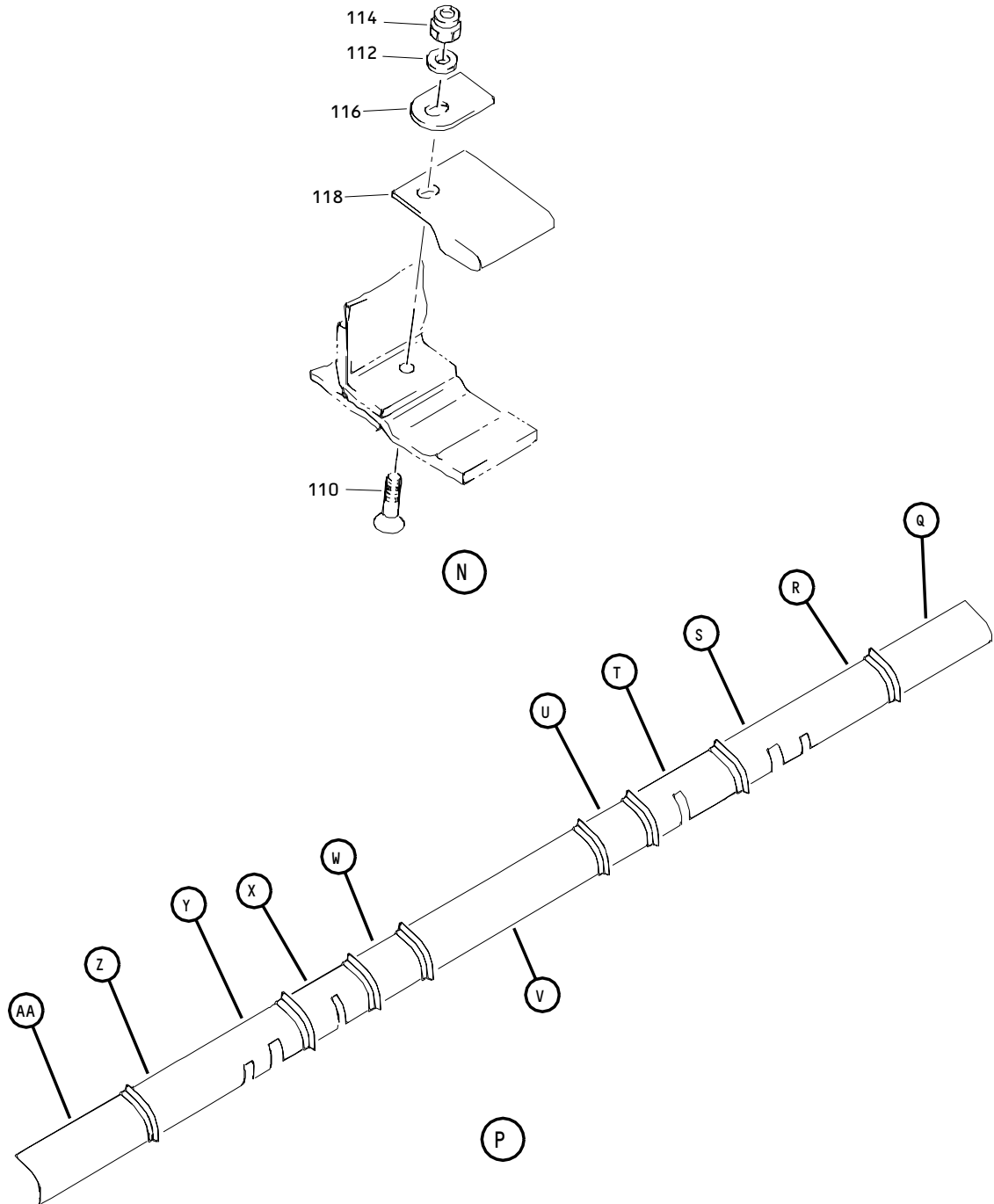
ILLUSTRATED PARTS LIST  
01.1 Page 1058E  
Nov 01/00



Outboard Slat No. 2 and 11 Wing Leading Edge Structure Assembly  
 Figure 4 (Sheet 8)

**57-43-45**

ILLUSTRATED PARTS LIST  
 01.1 Page 1058F  
 Nov 01/00

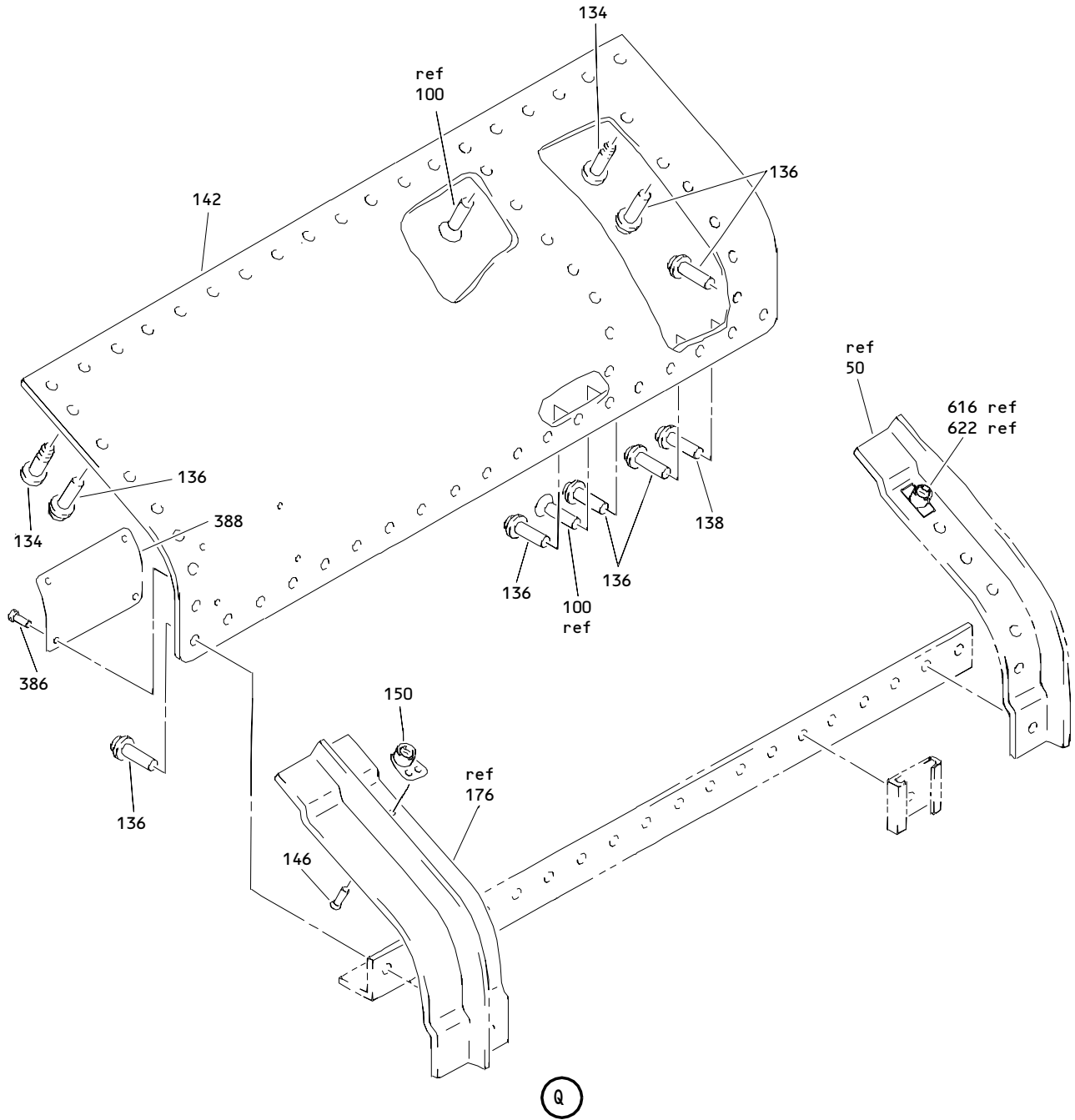


Outboard Slat No. 2 and 11 Wing Leading Edge Structure Assembly  
Figure 4 (Sheet 9)

**57-43-45**

ILLUSTRATED PARTS LIST  
01.1 Page 1058G  
Nov 01/00

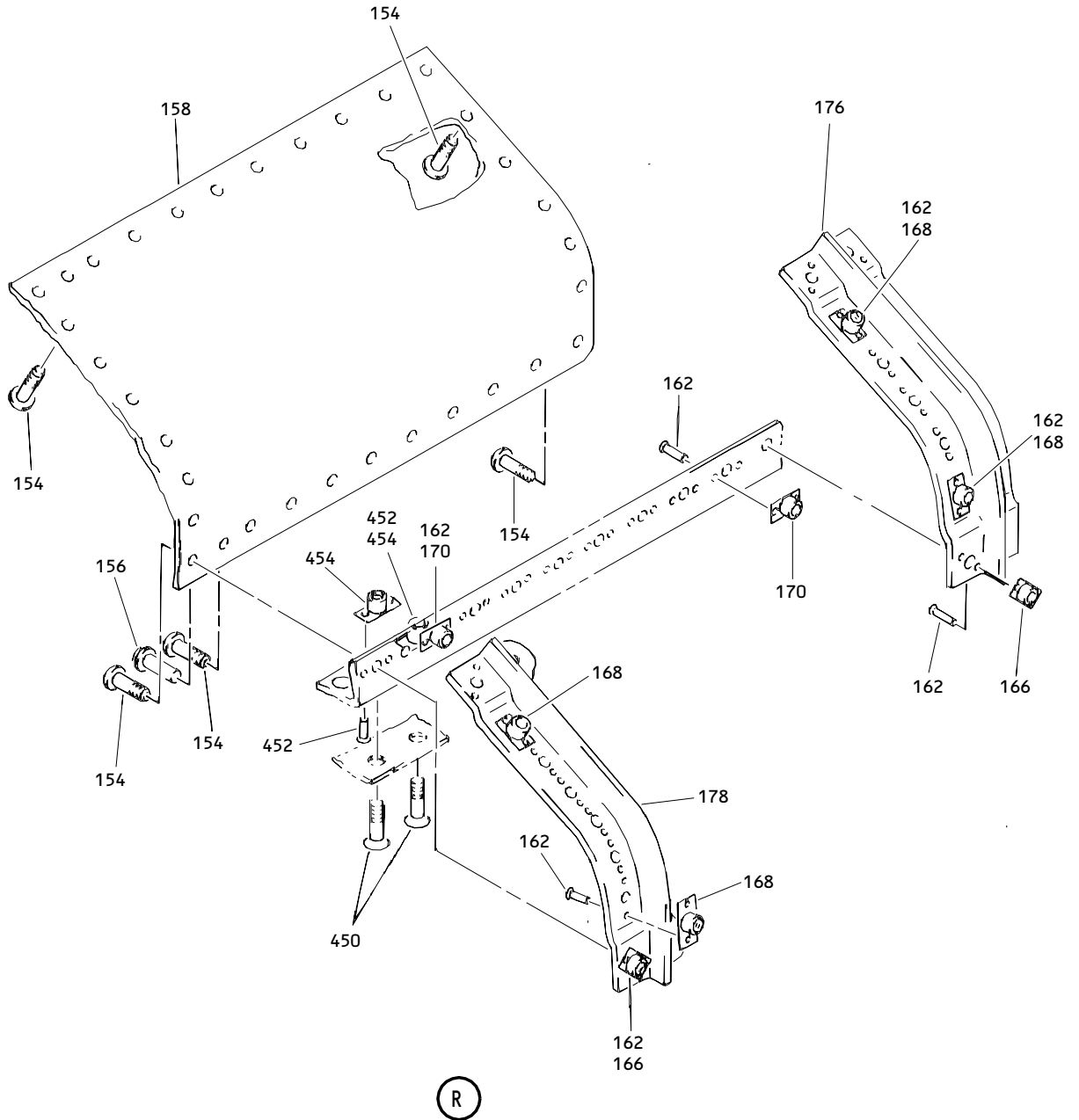




Outboard Slat No. 2 and 11 Wing Leading Edge Structure Assembly  
 Figure 4 (Sheet 10)

**57-43-45**

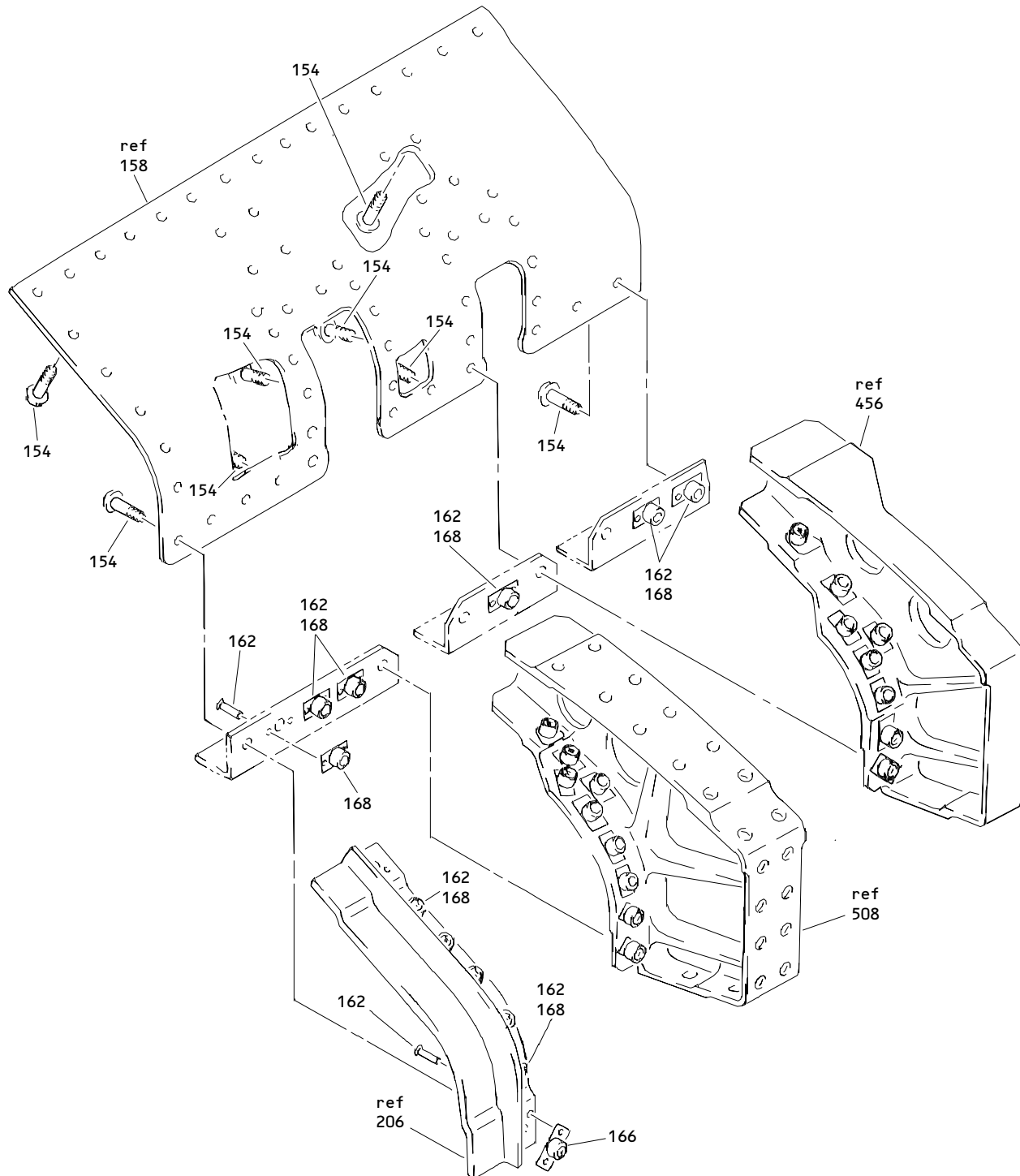
ILLUSTRATED PARTS LIST  
 01.1 Page 1058H  
 Nov 01/00



Outboard Slat No. 2 and 11 Wing Leading Edge Structure Assembly  
Figure 4 (Sheet 11)

**57-43-45**

ILLUSTRATED PARTS LIST  
01.1 Page 1058I  
Nov 01/00

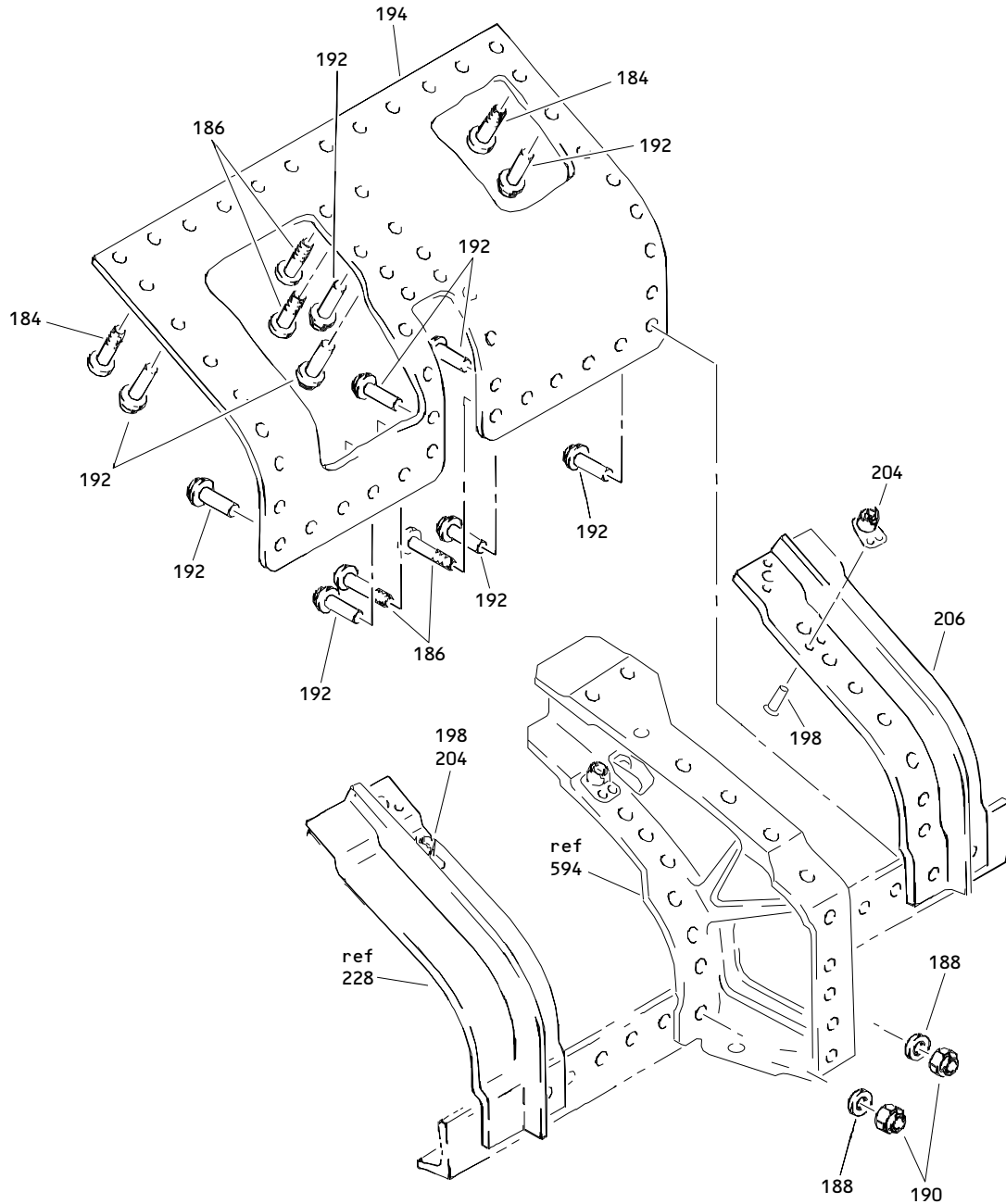


(S)

Outboard Slat No. 2 and 11 Wing Leading Edge Structure Assembly  
Figure 4 (Sheet 12)

**57-43-45**

ILLUSTRATED PARTS LIST  
01.1 Page 1058J  
Nov 01/00

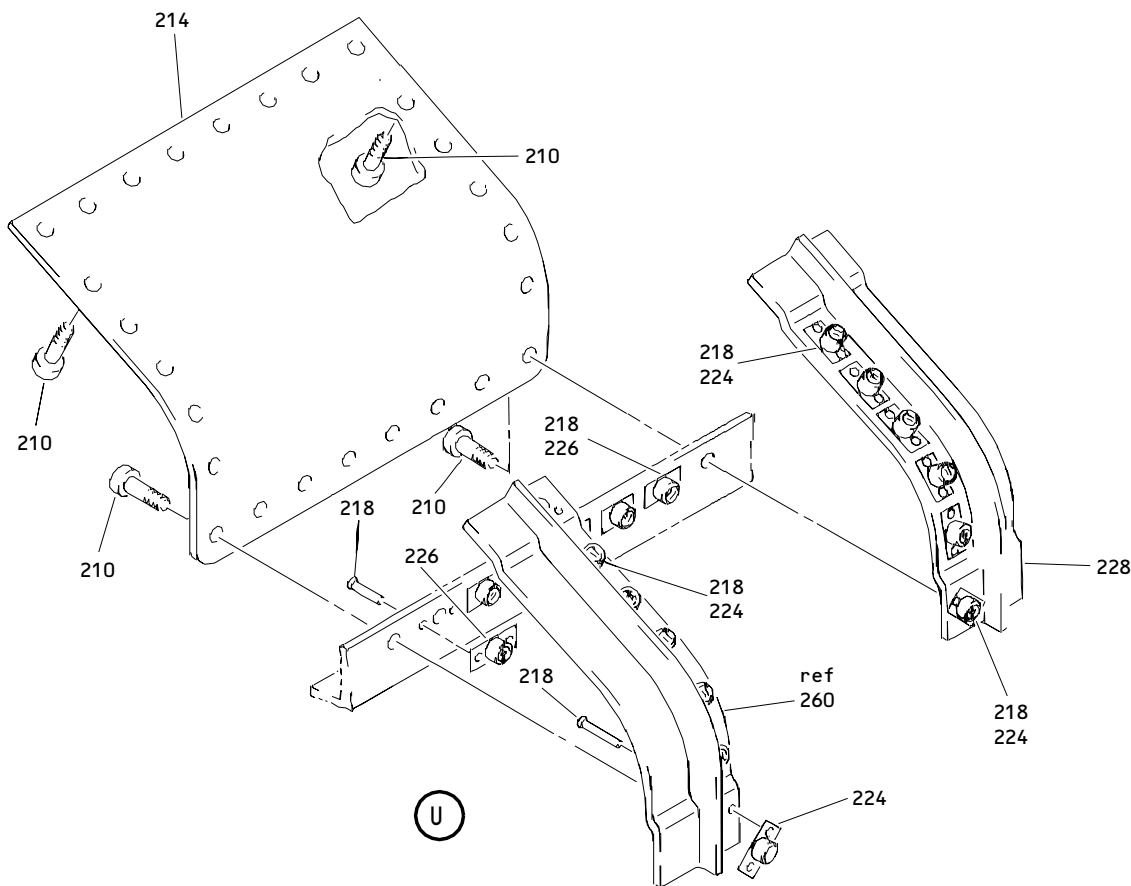


(T)

Outboard Slat No. 2 and 11 Wing Leading Edge Structure Assembly  
Figure 4 (Sheet 13)

**57-43-45**

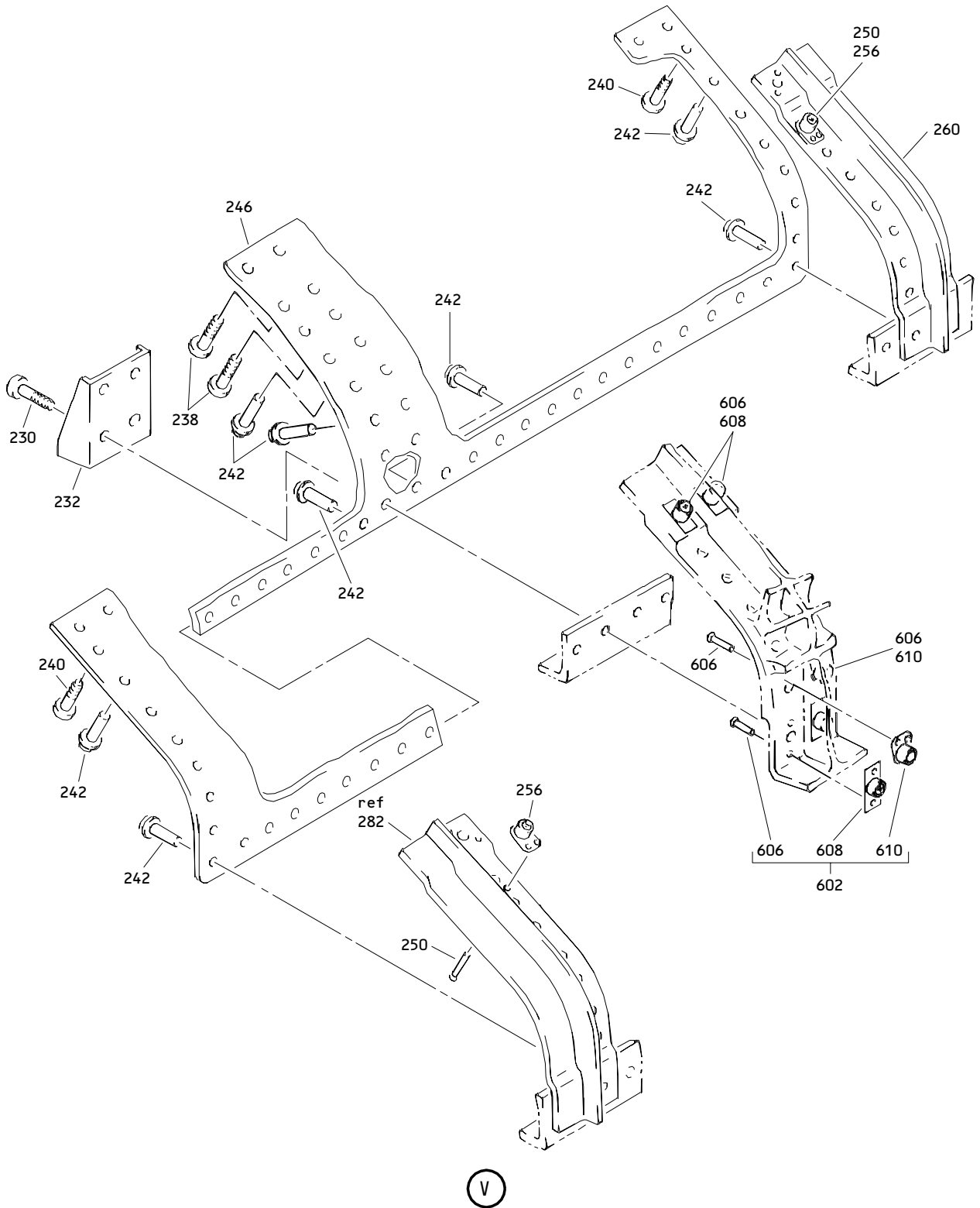
ILLUSTRATED PARTS LIST  
01.1 Page 1058K  
Nov 01/00



Outboard Slat No. 2 and 11 Wing Leading Edge Structure Assembly  
 Figure 4 (Sheet 14)

**57-43-45**

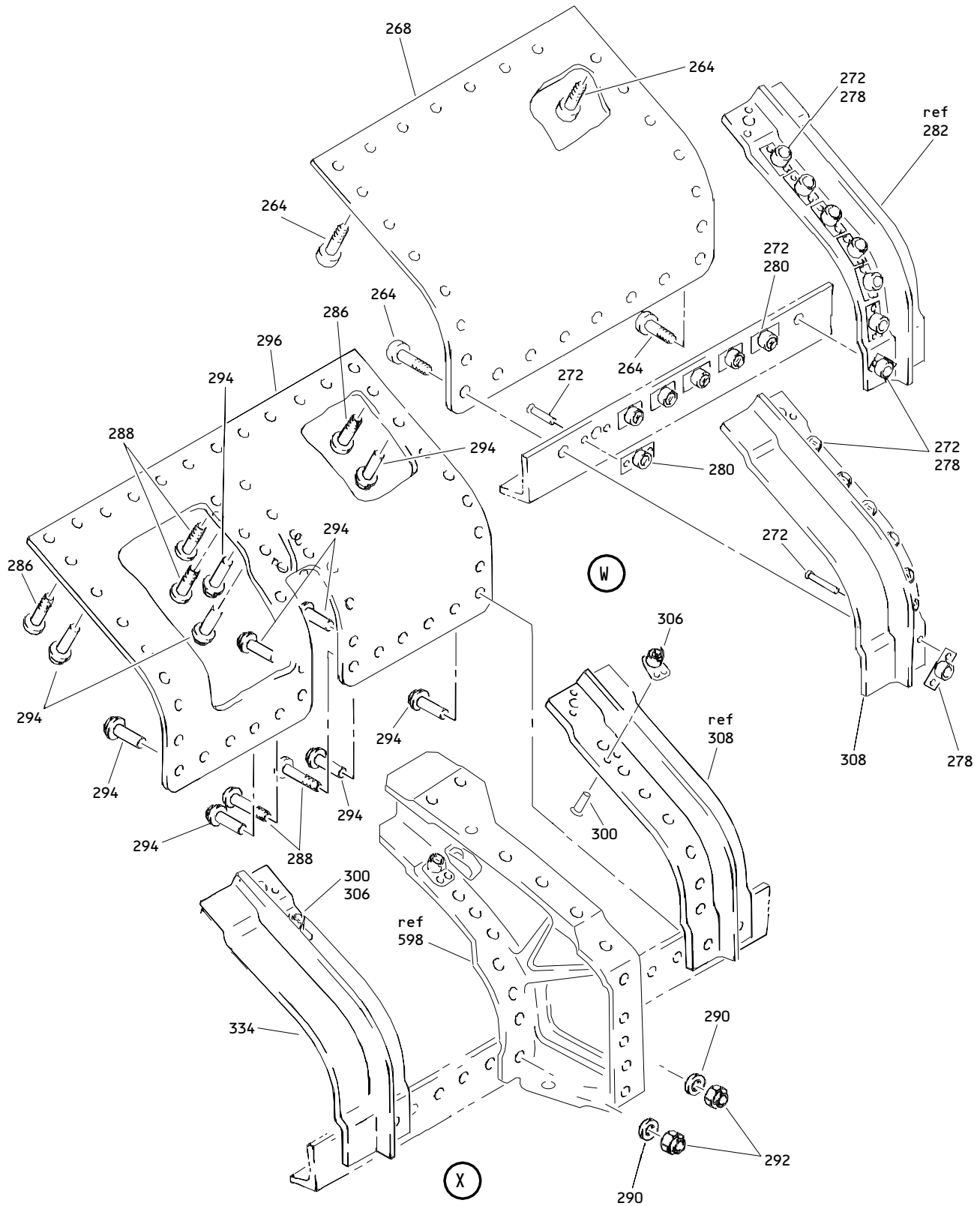
ILLUSTRATED PARTS LIST  
 01.1 Page 1058L  
 Nov 01/00



Outboard Slat No. 2 and 11 Wing Leading Edge Structure Assembly  
Figure 4 (Sheet 15)

**57-43-45**

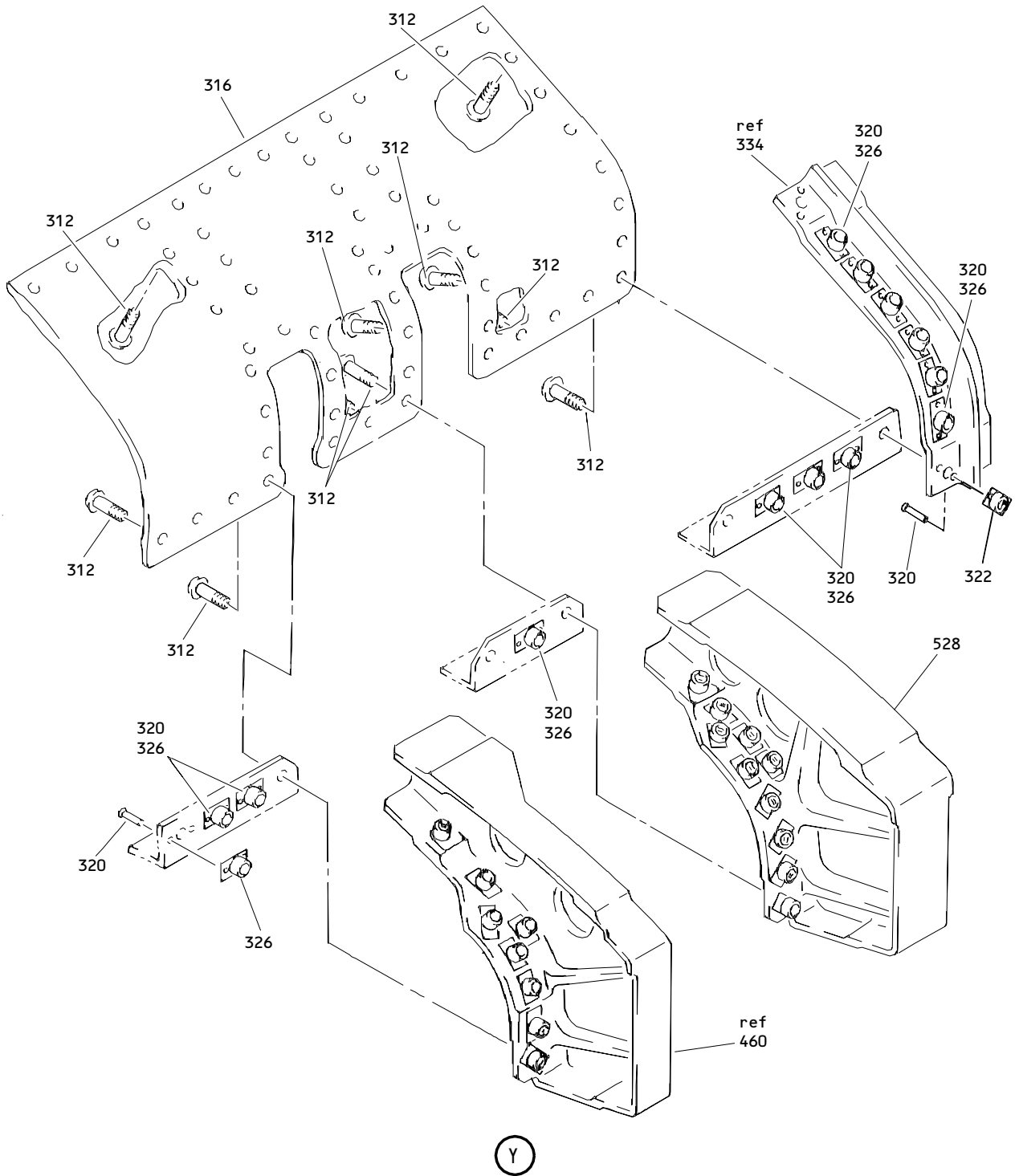
ILLUSTRATED PARTS LIST  
01.1 Page 1058M  
Nov 01/00



Outboard Slat No. 2 and 11 Wing Leading Edge Structure Assembly  
 Figure 4 (Sheet 16)

**57-43-45**

ILLUSTRATED PARTS LIST  
 01.1 Page 1058N  
 Nov 01/00

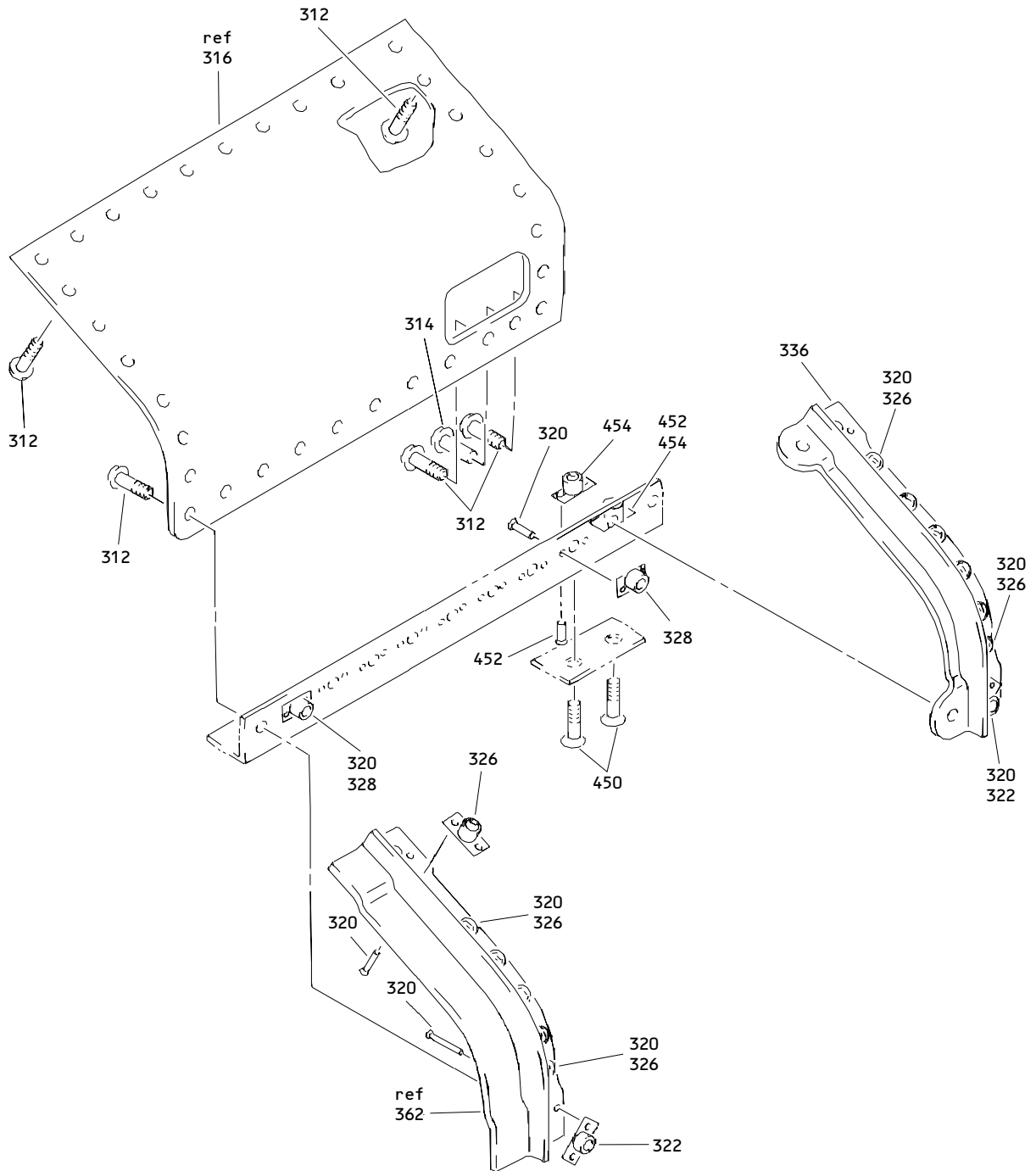


Outboard Slat No. 2 and 11 Wing Leading Edge Structure Assembly  
Figure 4 (Sheet 17)

**57-43-45**

ILLUSTRATED PARTS LIST  
01.1 Page 10580  
Nov 01/00



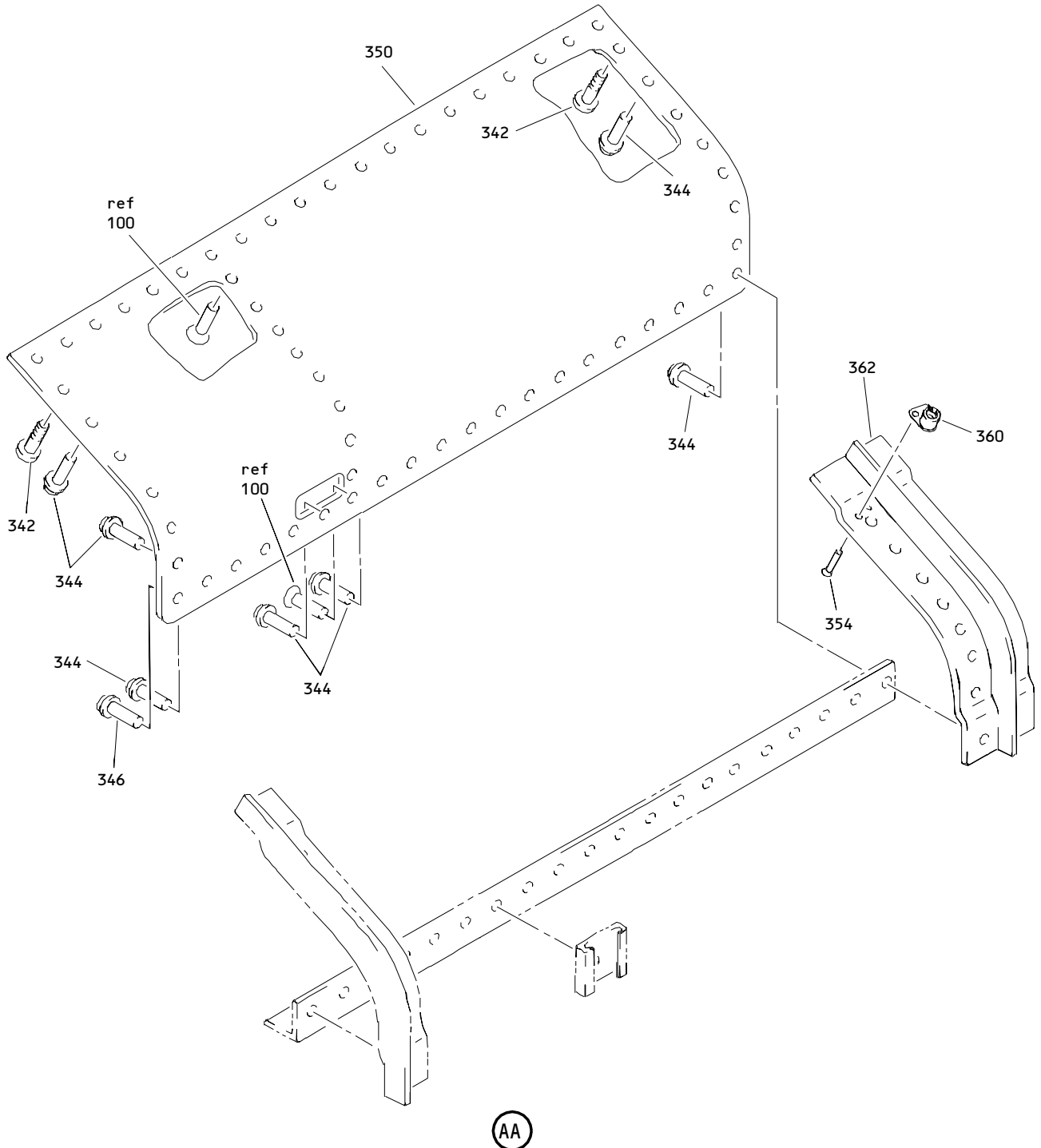


(Z)

Outboard Slat No. 2 and 11 Wing Leading Edge Structure Assembly  
 Figure 4 (Sheet 18)

**57-43-45**

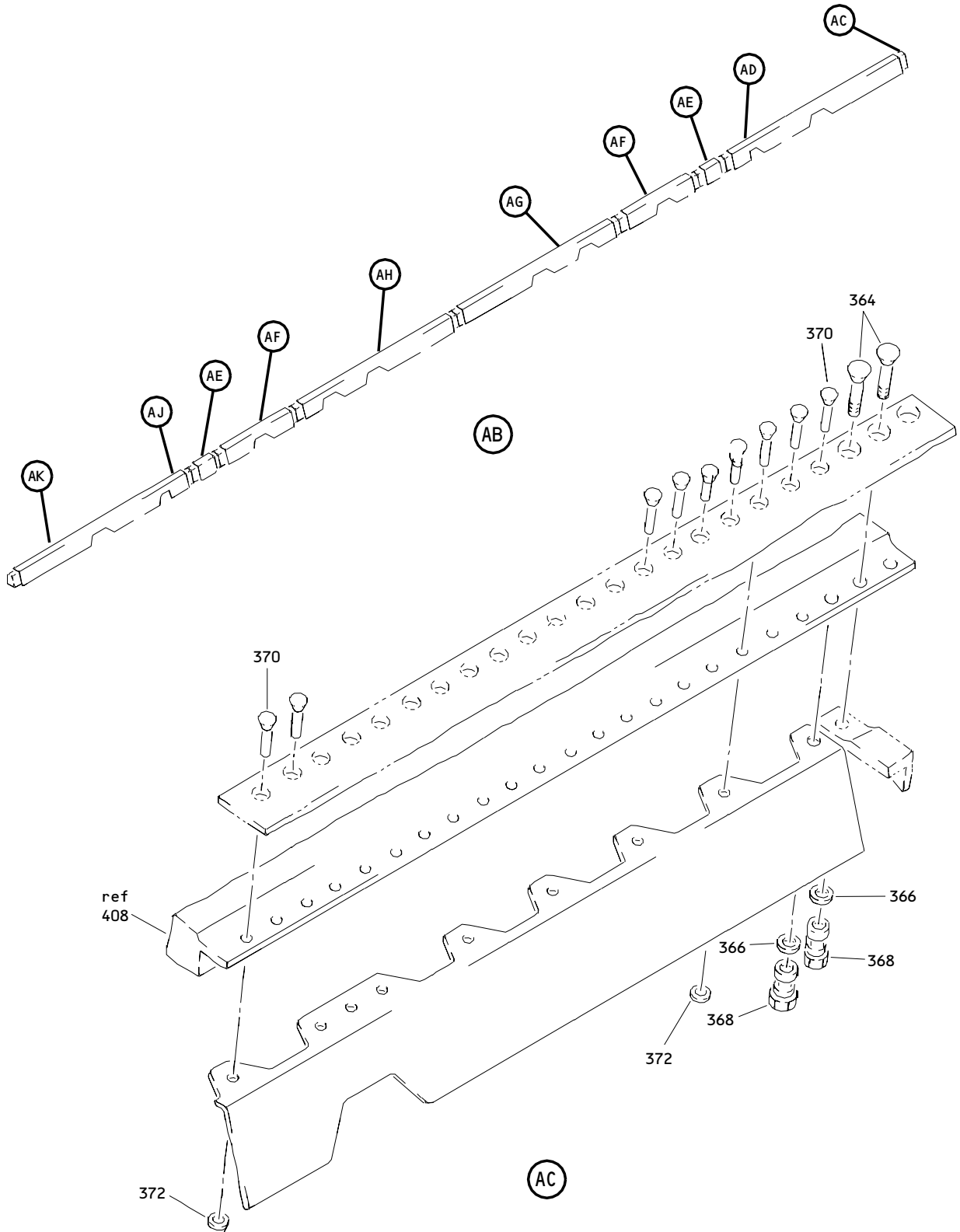
ILLUSTRATED PARTS LIST  
 01.1 Page 1058P  
 Nov 01/00



Outboard Slat No. 2 and 11 Wing Leading Edge Structure Assembly  
Figure 4 (Sheet 19)

**57-43-45**

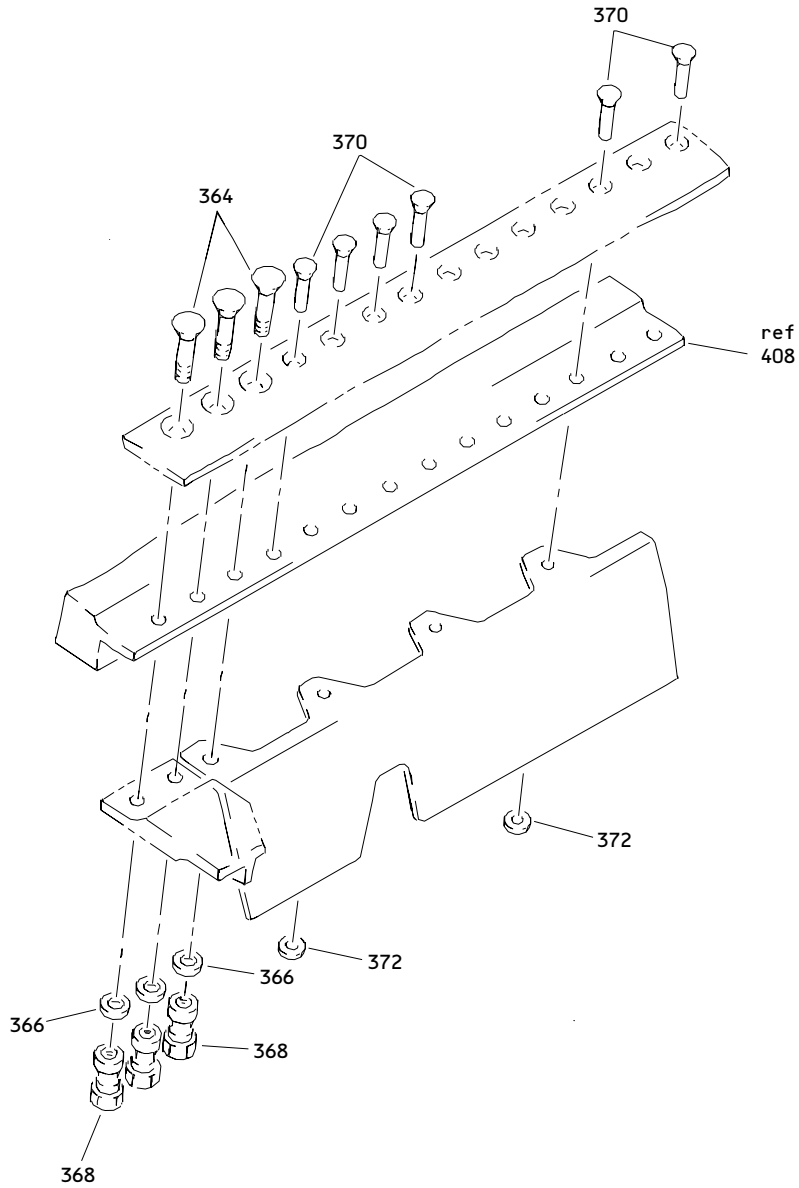
ILLUSTRATED PARTS LIST  
01.1 Page 1058Q  
Nov 01/00



Outboard Slat No. 2 and 11 Wing Leading Edge Structure Assembly  
 Figure 4 (Sheet 20)

**57-43-45**

ILLUSTRATED PARTS LIST  
 01.1 Page 1058R  
 Nov 01/00

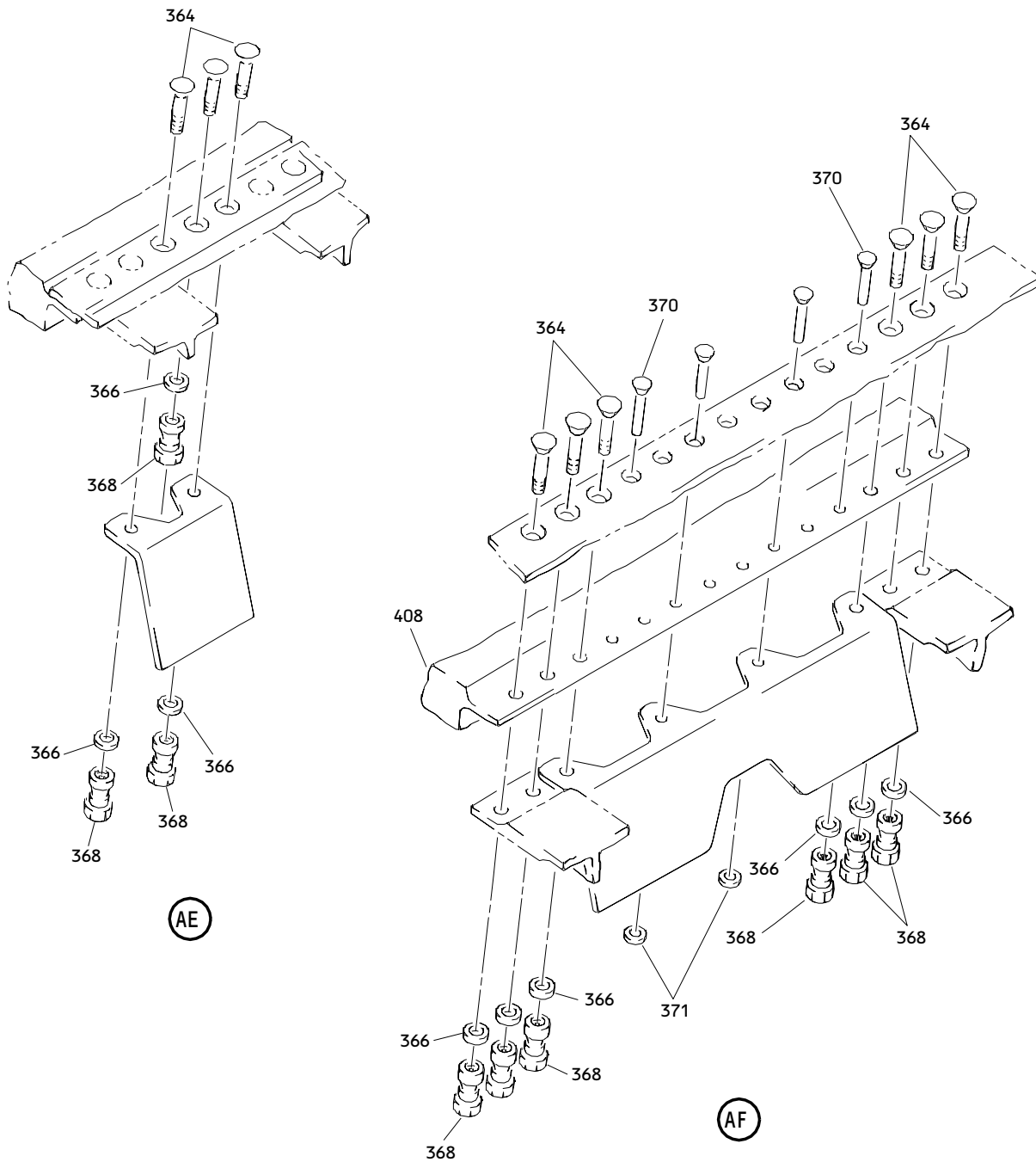


(AD)

Outboard Slat No. 2 and 11 Wing Leading Edge Structure Assembly  
Figure 4 (Sheet 21)

**57-43-45**

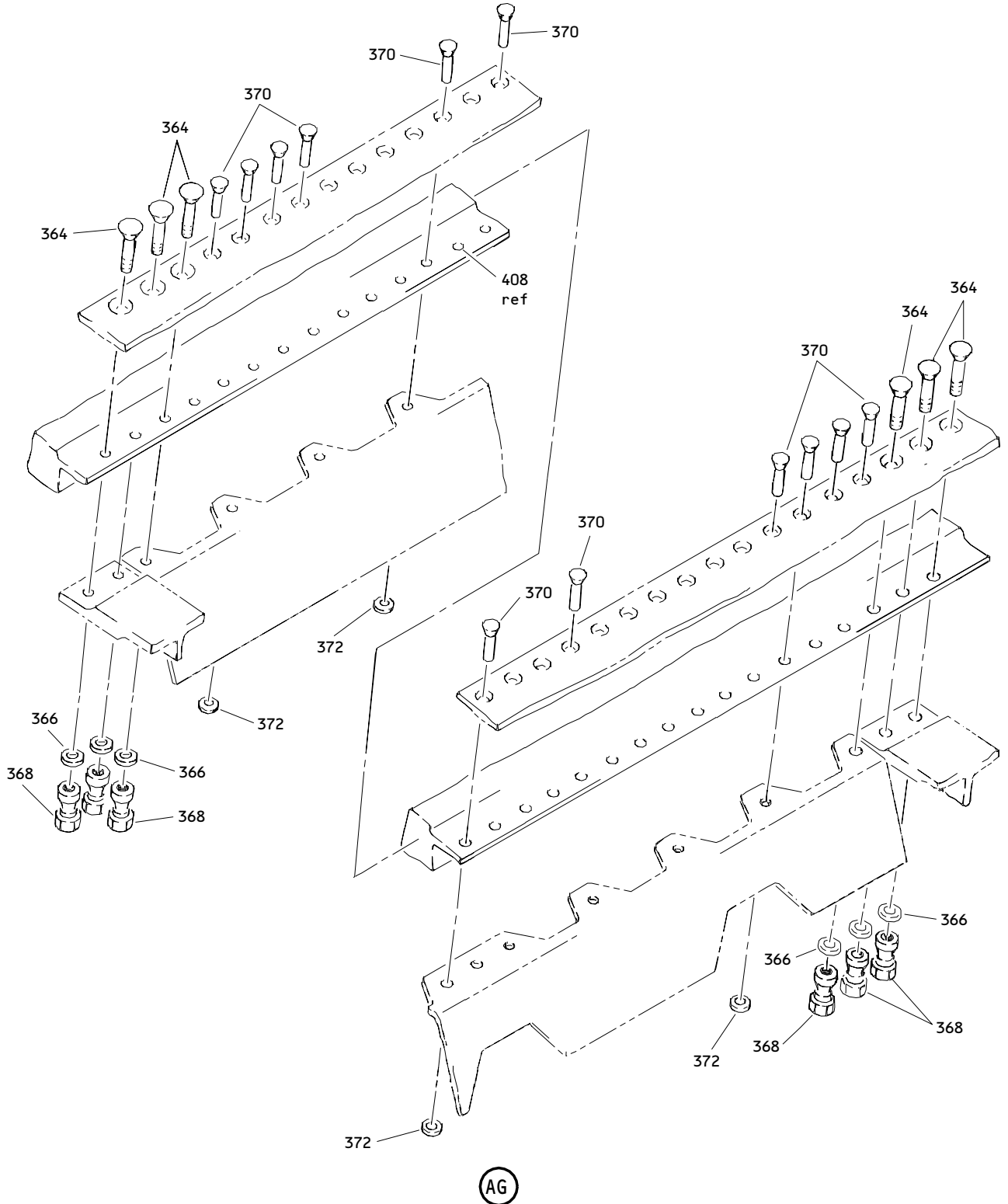
ILLUSTRATED PARTS LIST  
01.1 Page 1058S  
Nov 01/00



Outboard Slat No. 2 and 11 Wing Leading Edge Structure Assembly  
 Figure 4 (Sheet 22)

**57-43-45**

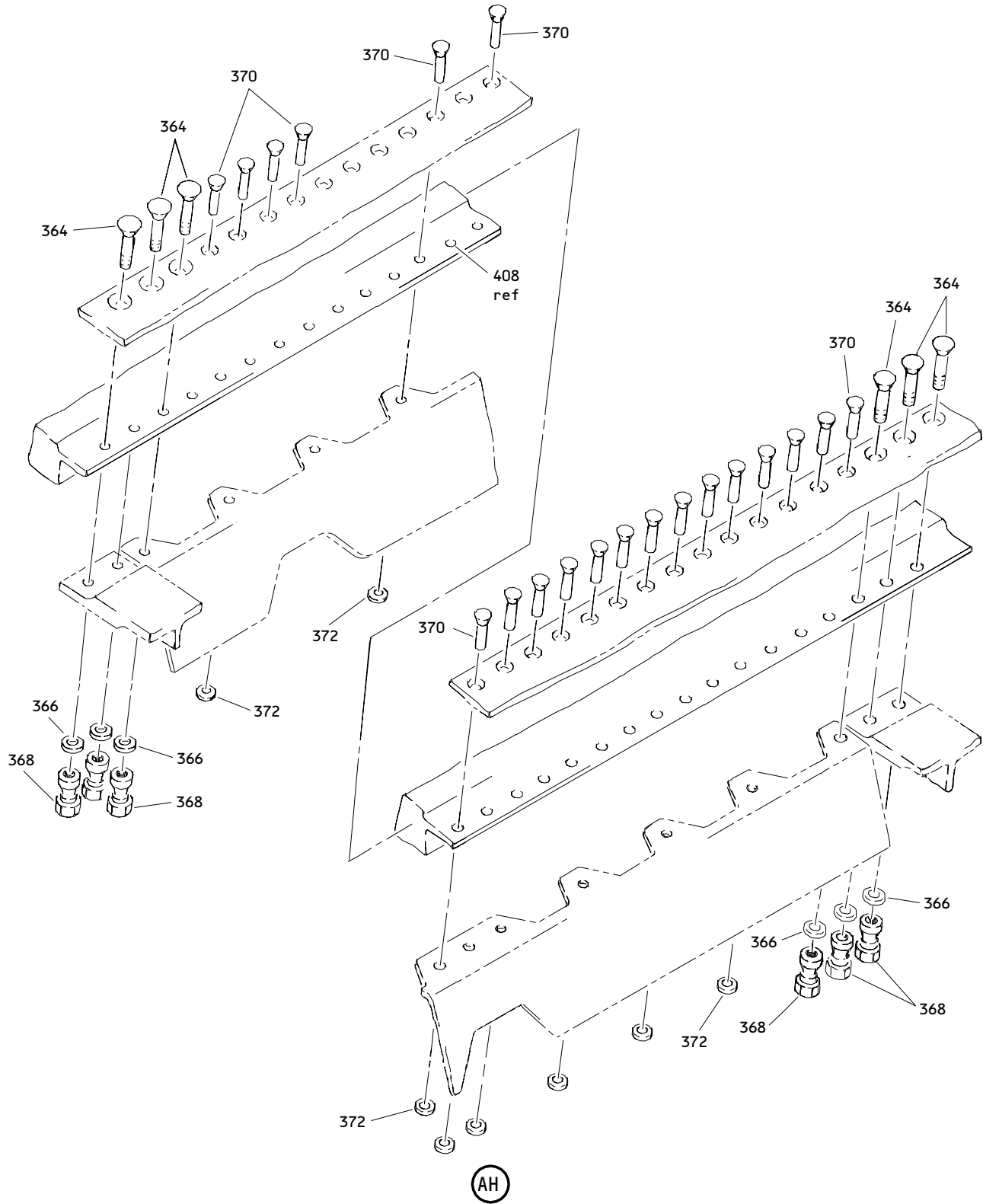
ILLUSTRATED PARTS LIST  
 01.1 Page 1058T  
 Nov 01/00



Outboard Slat No. 2 and 11 Wing Leading Edge Structure Assembly  
Figure 4 (Sheet 23)

**57-43-45**

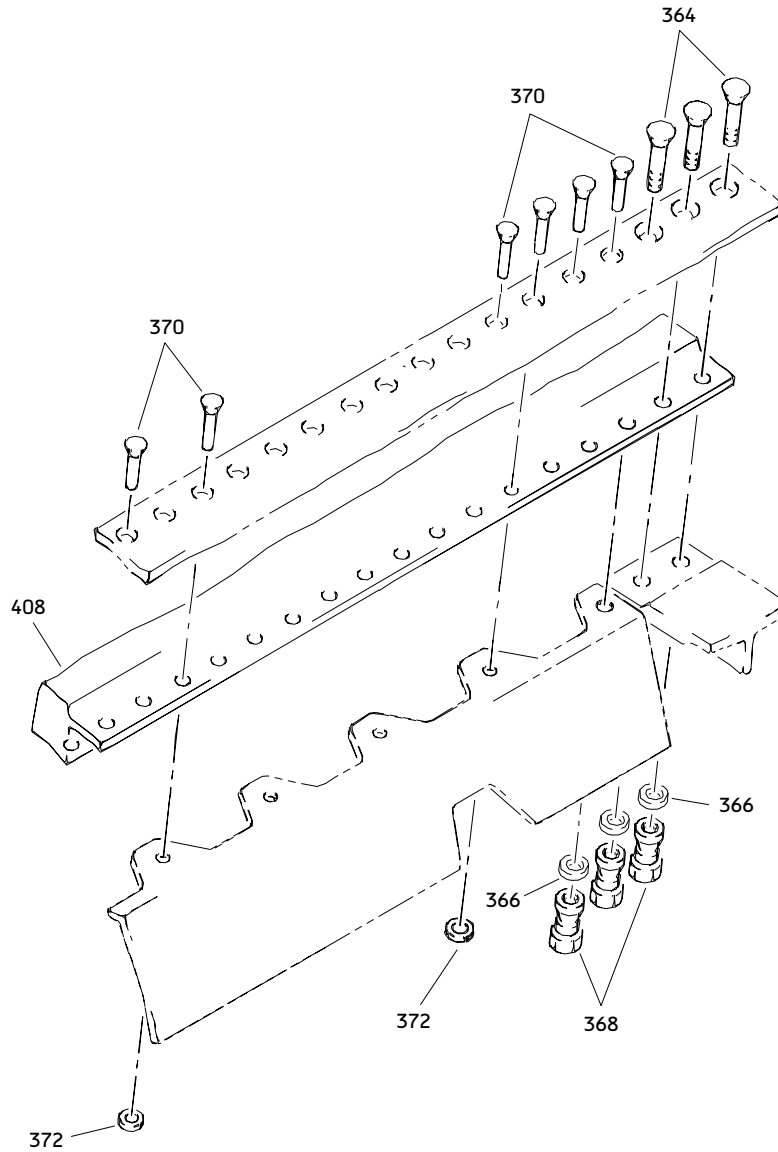
ILLUSTRATED PARTS LIST  
01.1 Page 1058U  
Nov 01/00



Outboard Slat No. 2 and 11 Wing Leading Edge Structure Assembly  
 Figure 4 (Sheet 24)

**57-43-45**

ILLUSTRATED PARTS LIST  
 01.1 Page 1058V  
 Nov 01/00



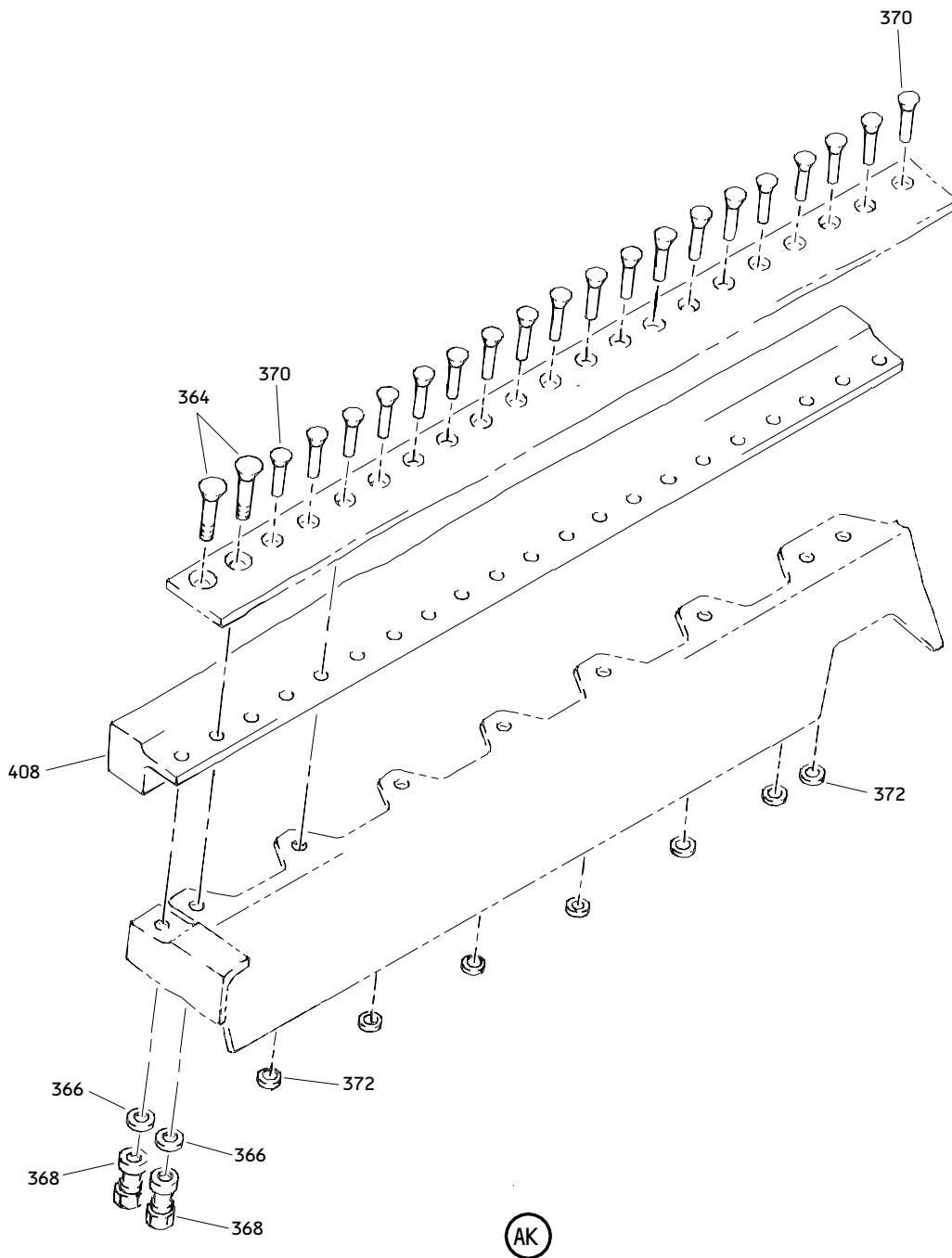
(AJ)

Outboard Slat No. 2 and 11 Wing Leading Edge Structure Assembly  
Figure 4 (Sheet 25)

**57-43-45**

ILLUSTRATED PARTS LIST  
01.1 Page 1058W  
Nov 01/00

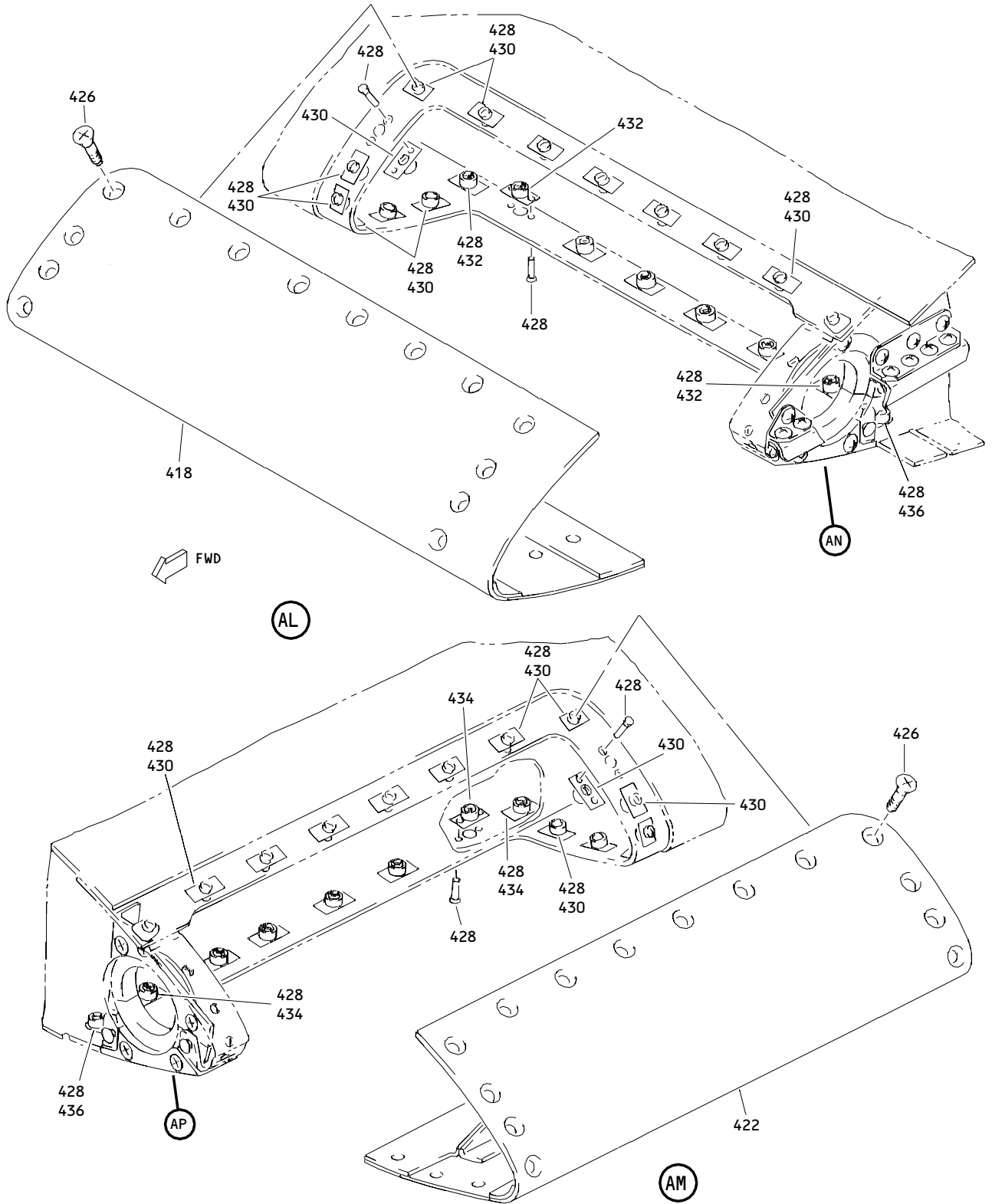




Outboard Slat No. 2 and 11 Wing Leading Edge Structure Assembly  
 Figure 4 (Sheet 26)

**57-43-45**

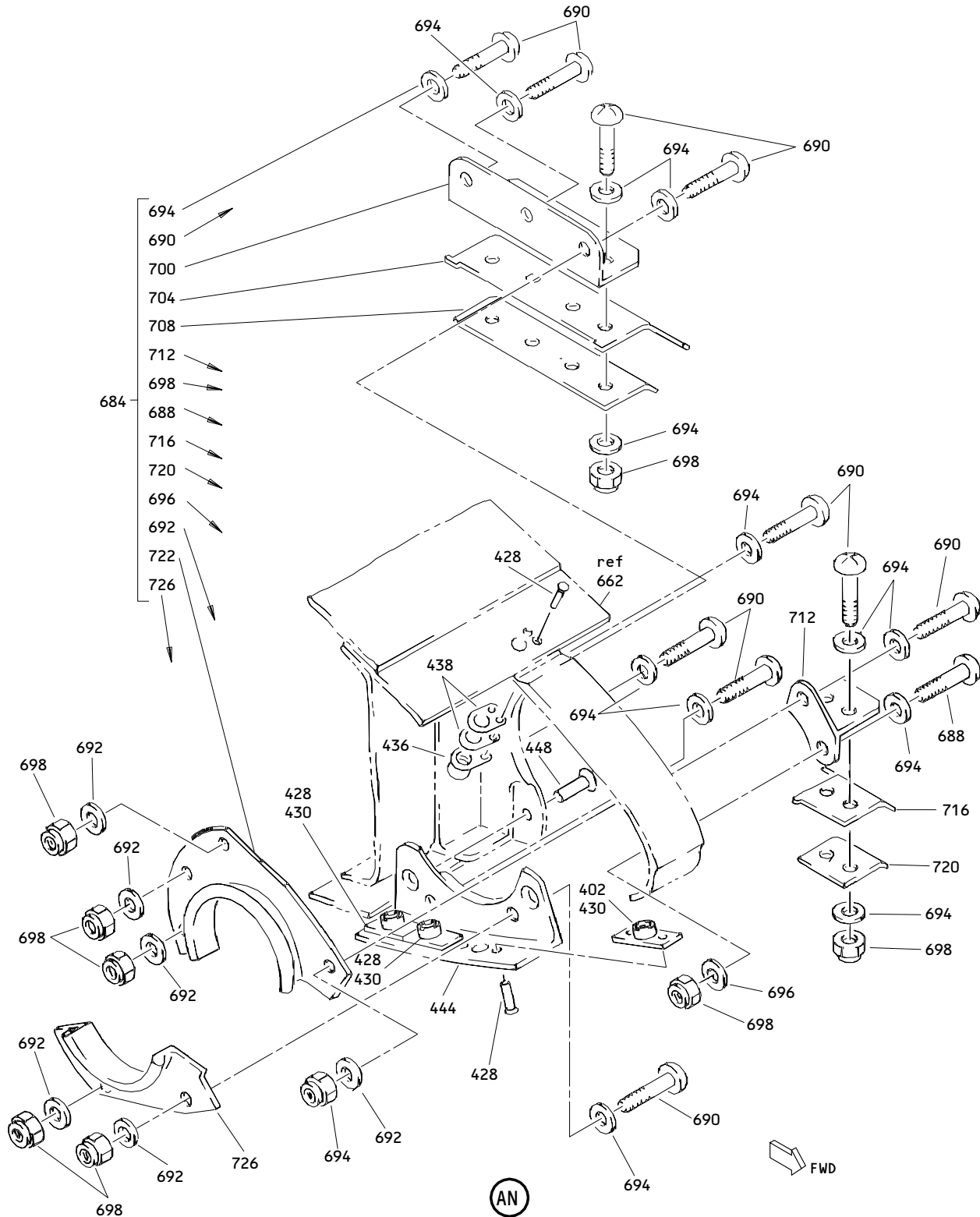
ILLUSTRATED PARTS LIST  
 01.1 Page 1058X  
 Nov 01/00



Outboard Slat No. 2 and 11 Wing Leading Edge Structure Assembly  
 Figure 4 (Sheet 27)

**57-43-45**

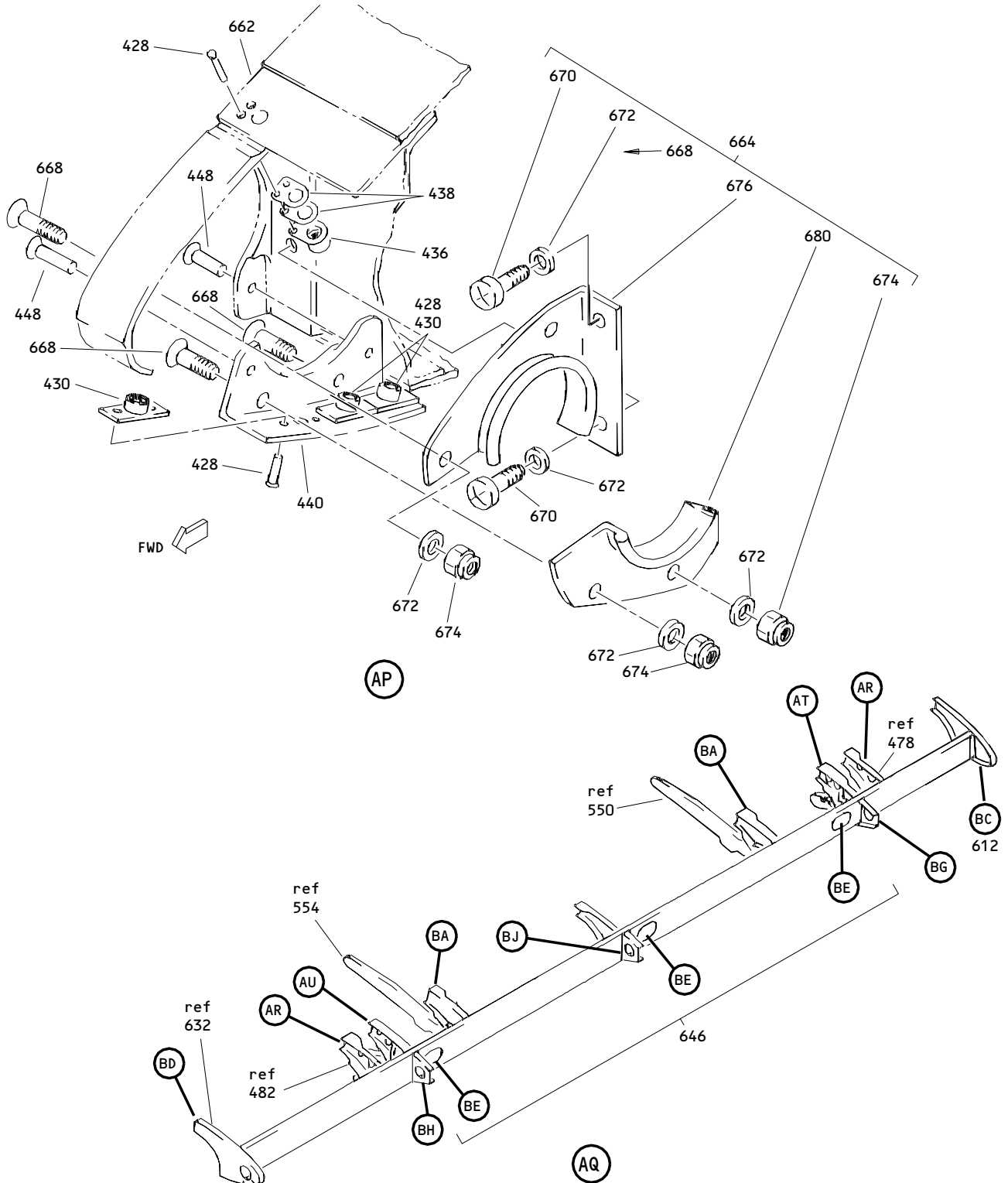
ILLUSTRATED PARTS LIST  
 01.1 Page 1058Y  
 Nov 01/00



Outboard Slat No. 2 and 11 Wing Leading Edge Structure Assembly  
 Figure 4 (Sheet 28)

**57-43-45**

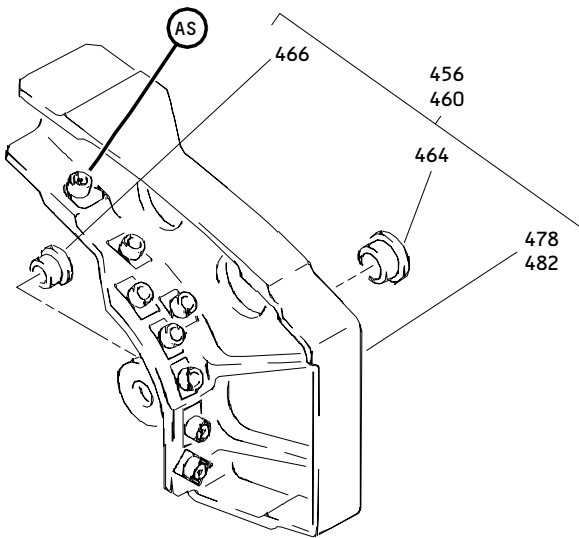
ILLUSTRATED PARTS LIST  
 01.1 Page 1058Z  
 Nov 01/00



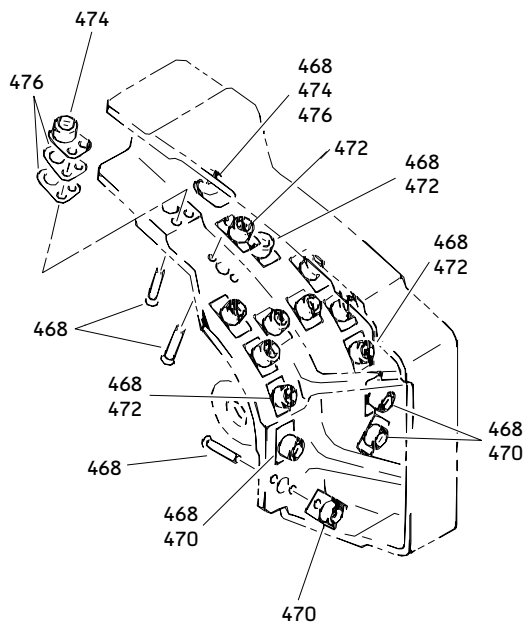
Outboard Slat No. 2 and 11 Wing Leading Edge Structure Assembly  
 Figure 4 (Sheet 29)

**57-43-45**

ILLUSTRATED PARTS LIST  
 01.1 Page 1059  
 Nov 01/00



AR (circled)

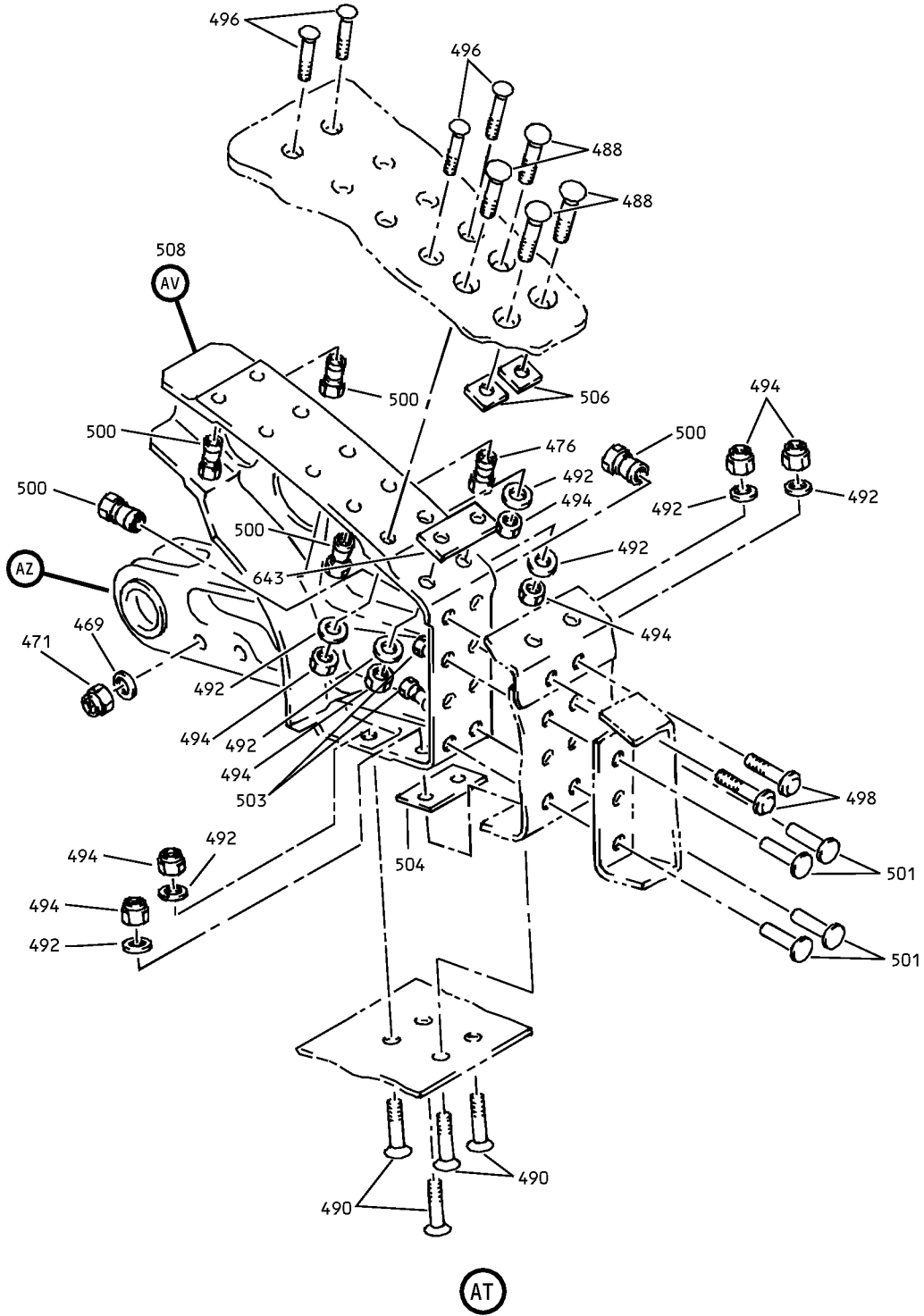


AS (circled)

Outboard Slat No. 2 and 11 Wing Leading Edge Structure Assembly  
 Figure 4 (Sheet 30)

**57-43-45**

ILLUSTRATED PARTS LIST  
 01.1 Page 1060  
 Nov 01/00



Outboard Slat No. 2 and 11 Wing Leading Edge Structure Assembly  
 Figure 4 (Sheet 31)

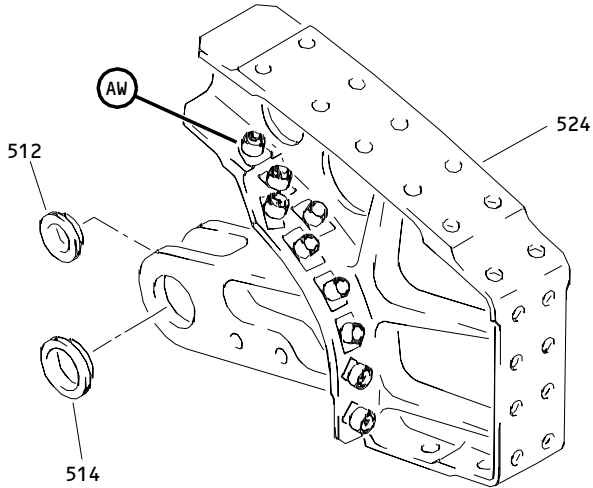
**57-43-45**

ILLUSTRATED PARTS LIST  
 01.1 Page 1060A  
 Nov 01/00

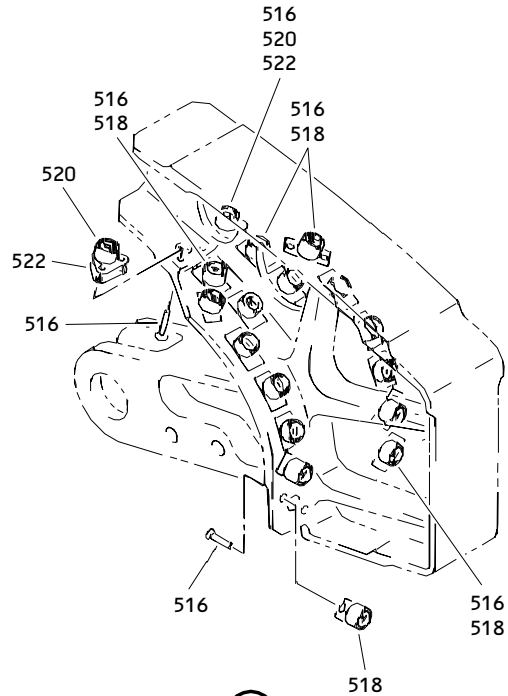


114T4102  
 015T0165  
 015T1507  
 DASH NUMBERS LIMITED

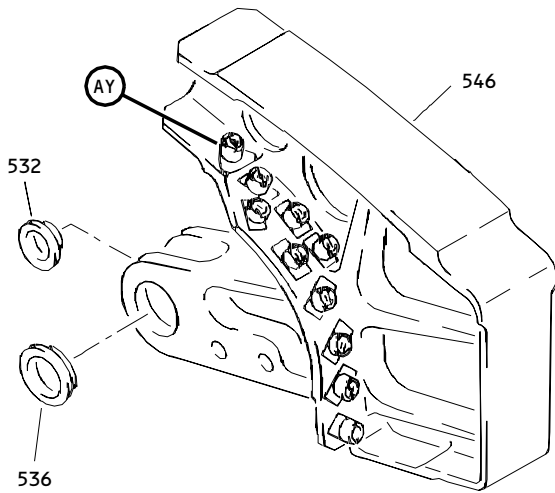
**BOEING**  
 COMPONENT  
 MAINTENANCE MANUAL



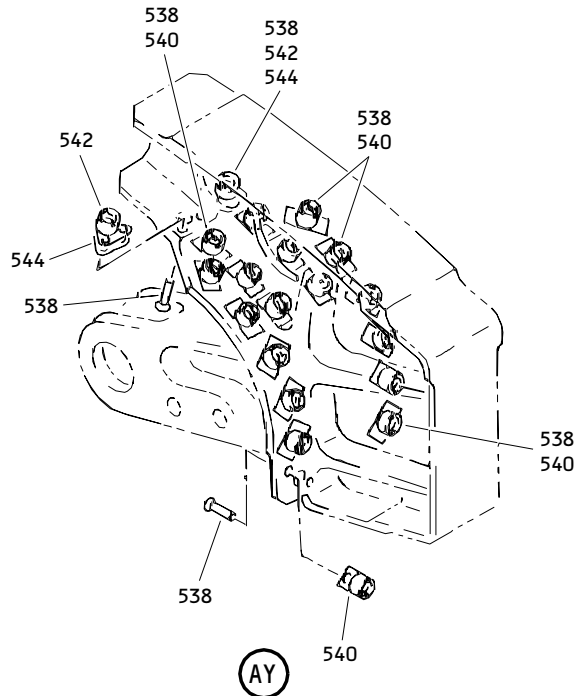
AV



AW



AX



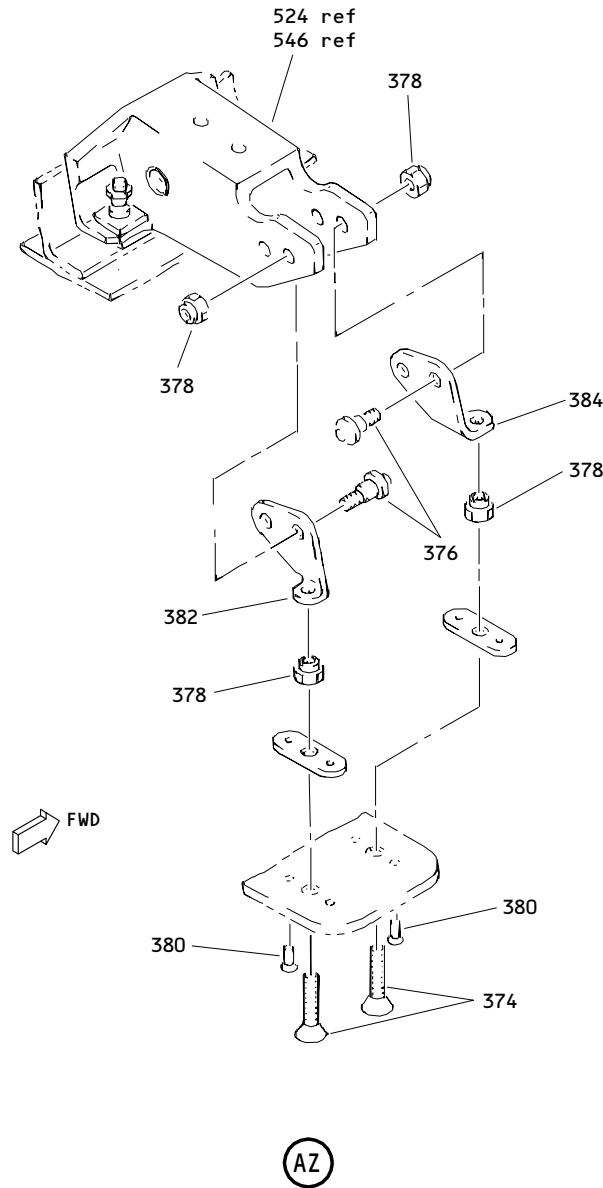
AY

Outboard Slat No. 2 and 11 Wing Leading Edge Structure Assembly  
 Figure 4 (Sheet 33)

**57-43-45**

ILLUSTRATED PARTS LIST  
 01.1 Page 1060C  
 Nov 01/00

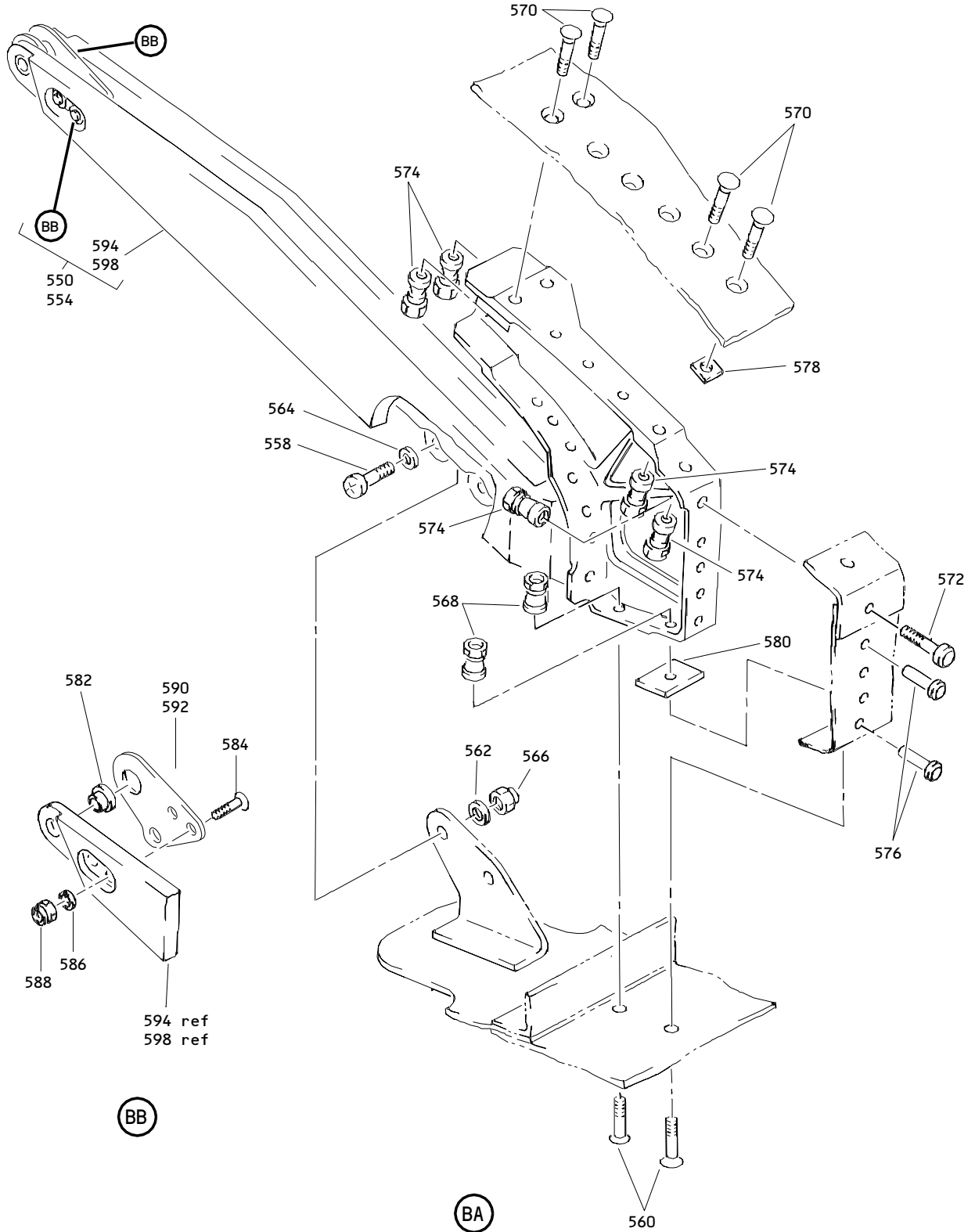




Outboard Slat No. 2 and 11 Wing Leading Edge Structure Assembly  
Figure 4 (Sheet 34)

**57-43-45**

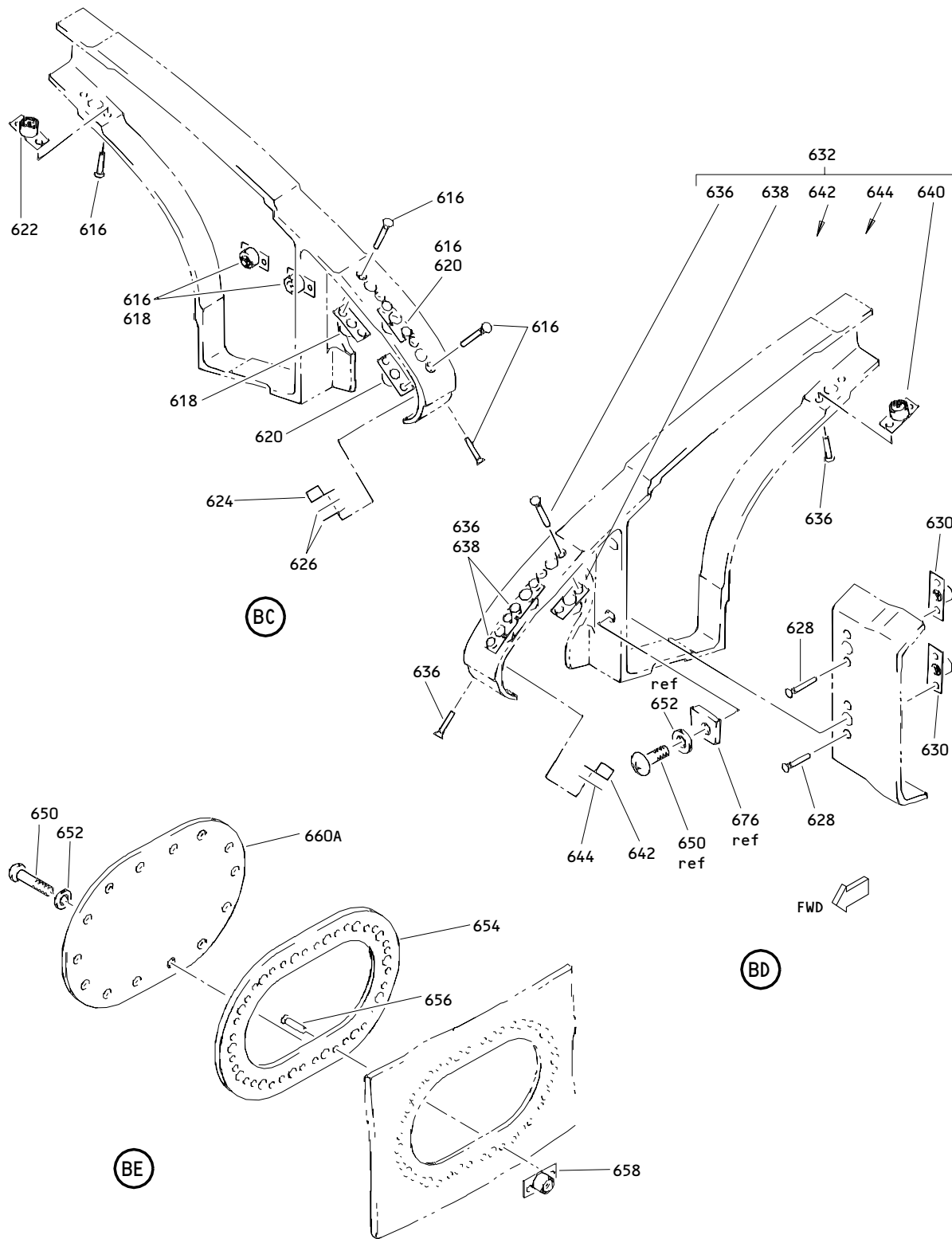
ILLUSTRATED PARTS LIST  
01.1 Page 1060D  
Nov 01/00



Outboard Slat No. 2 and 11 Wing Leading Edge Structure Assembly  
 Figure 4 (Sheet 35)

**57-43-45**

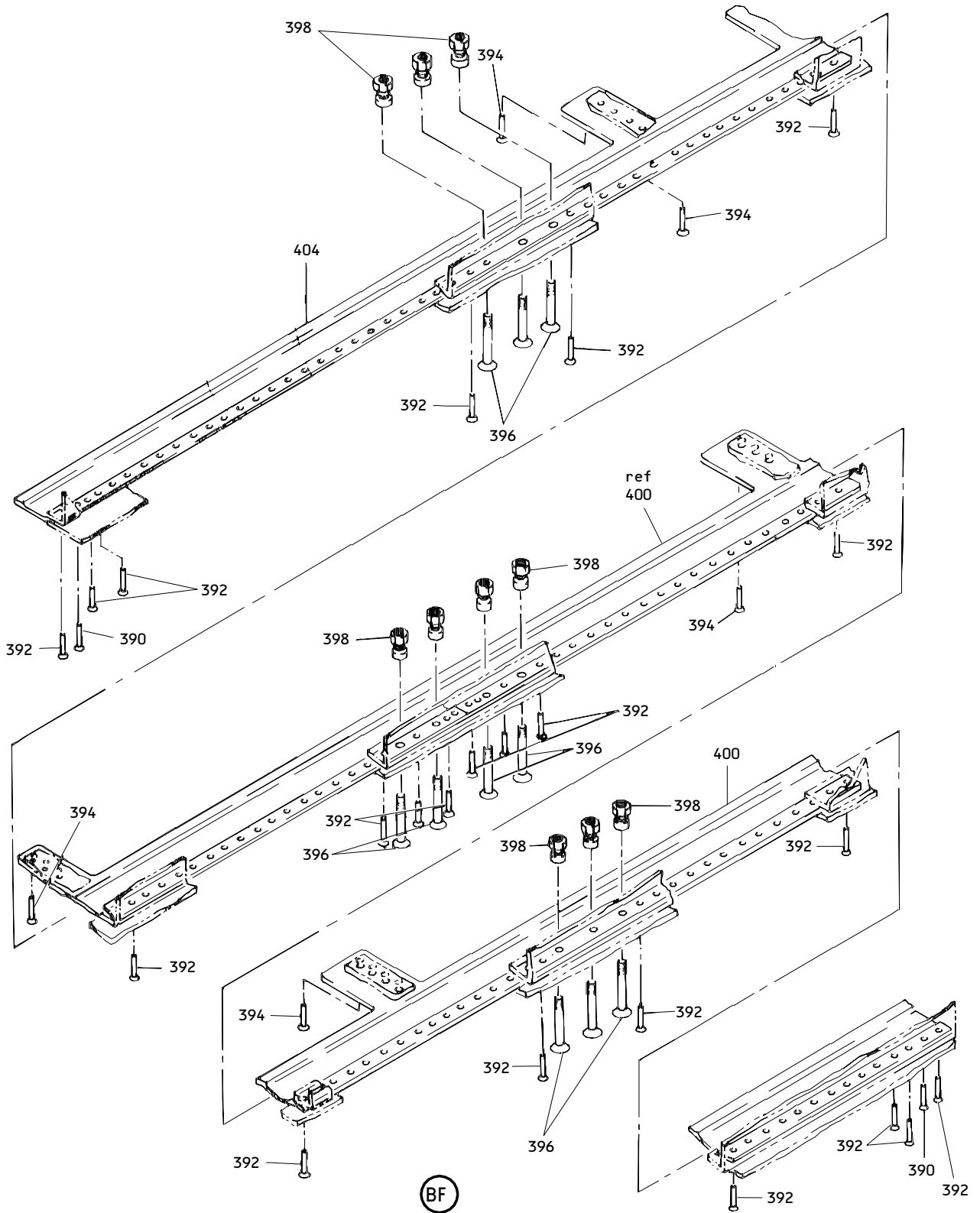
ILLUSTRATED PARTS LIST  
 01.1 Page 1060E  
 Nov 01/00



Outboard Slat No. 2 and 11 Wing Leading Edge Structure Assembly  
 Figure 4 (Sheet 36)

**57-43-45**

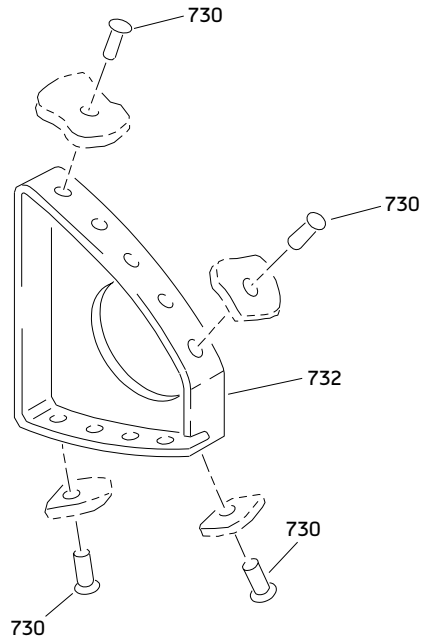
ILLUSTRATED PARTS LIST  
 01.1 Page 1060F  
 Nov 01/00



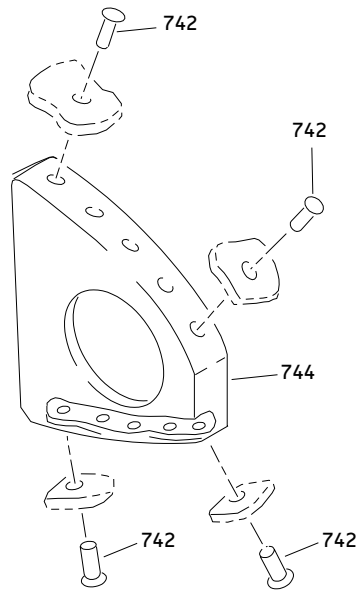
Outboard Slat No. 2 and 11 Wing Leading Edge Structure Assembly  
Figure 4 (Sheet 37)

**57-43-45**

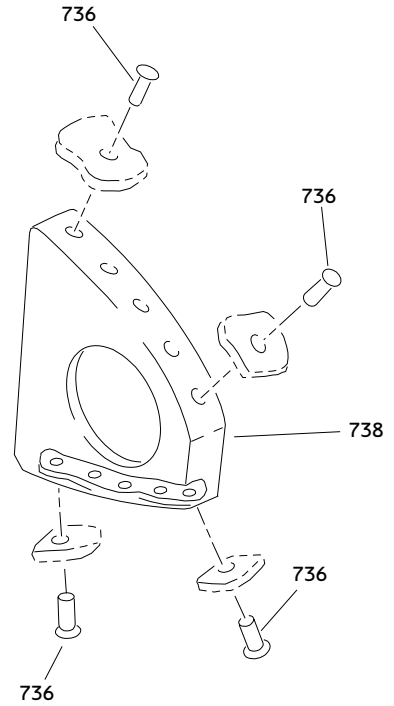
ILLUSTRATED PARTS LIST  
01.1 Page 1060G  
Nov 01/00



(BG)



(BJ)



(BH)

Outboard Slat No. 2 and 11 Wing Leading Edge Structure Assembly  
 Figure 4 (Sheet 38)

**57-43-45**

ILLUSTRATED PARTS LIST  
 01.1 Page 1060H  
 Nov 01/00

114T4102  
 015T0165  
 015T1507  
 DASH NUMBERS LIMITED

 **BOEING**  
 COMPONENT  
 MAINTENANCE MANUAL

FIG. & ITEM	PART NO.	AIRLINE PART NUMBER	NOMENCLATURE 1234567	EFF CODE	QTY PER ASSY
04- -1	114T4102-31		STRUCTURE ASSY-OUTBD SLAT NO.2 AND 11 WING LE (LH) (POST SB 757-32-0107) (PRE SB 767-57A0057)	G	RF
-1A	114T4102-33		DELETED		
-1B	114T4102-39		STRUCTURE ASSY-OUTBD SLAT NO.2 AND 11 WING LE (VARIABLE) (LH) (PRE SB 767-57A0057)	V	RF
-1C	114T4102-41		STRUCTURE ASSY-OUTBD SLAT NO.2 AND 11 WING LE (LH) (PRE SB 767-57A0057)	Z	RF
-1D	114T4102-45		STRUCTURE ASSY-OUTBD SLAT NO.2 AND 11 WING LE (VARIABLE) (LH) (PRE SB 767-57A0057)	L	RF
-1E	114T4102-47		STRUCTURE ASSY-OUTBD SLAT NO.2 AND 11 WING LE (LH)	H	RF
-1F	114T4102-49		DELETED		
-1G	015T1507-225		STRUCTURE ASSY-OUTBD SLAT NO.2 AND 11 WING LE (LH) (POST SB 767-57A0057)	CN	RF
-1H	015T1507-259		STRUCTURE ASSY-OUTBD SLAT NO.2 AND 11 WING LE (LH) (POST SB 767-57A0057)	CP	RF
-1J	015T1507-229		STRUCTURE ASSY-OUTBD SLAT NO.2 AND 11 WING LE (LH) (POST SB 767-57A0057)	CQ	RF
-1K	015T1507-263		STRUCTURE ASSY-OUTBD SLAT NO.2 AND 11 WING LE (LH) (POST SB 767-57A0057)	CR	RF
-1L	015T1507-231		STRUCTURE ASSY-OUTBD SLAT NO.2 AND 11 WING LE (LH) (POST SB 767-57A0057)	CS	RF
-1M	015T1507-265		STRUCTURE ASSY-OUTBD SLAT NO.2 AND 11 WING LE (LH) (POST SB 767-57A0057)	CT	RF
-1N	015T1507-233		STRUCTURE ASSY-OUTBD SLAT NO.2 AND 11 WING LE (LH) (POST SB 767-57A0057)	CU	RF
-1P	015T1507-267		STRUCTURE ASSY-OUTBD SLAT NO.2 AND 11 WING LE (LH) (POST SB 767-57A0057)	CV	RF
-1Q	114T4102-51SP		STRUCTURE ASSY-OUTBD SLAT NO. 2 AND 11 WING LE (LH)	DE	RF

**57-43-45**

ILLUSTRATED PARTS LIST  
 01.1 Page 1060I  
 Nov 01/00

FIG. & ITEM	PART NO.	AIRLINE PART NUMBER	NOMENCLATURE 1234567	EFF CODE	QTY PER ASSY
04- -1R	114T4102-53SP		STRUCTURE ASSY-OUTBD SLAT NO. 2 AND 11 WING LE (LH)	DF	RF
-1S	114T4102-401SP		STRUCTURE ASSY-OUTBD SLAT NO. 2 AND 11 WING LE (LH)	DJ	RF
-1T	114T4102-403G		STRUCTURE ASSY-OUTBD SLAT NO. 2 AND 11 WING LE (LH)	DL	RF
-1U	114T4102-403P		STRUCTURE ASSY-OUTBD SLAT NO. 2 AND 11 WING LE (LH)	DM	RF
-4	114T4102-32		STRUCTURE ASSY-OUTBD SLAT NO.2 AND 11 WING LE (RH) (POST SB 757-32-0107) (PRE SB 767-57A0057)	J	RF
-4A	114T4102-34		DELETED		
-4B	114T4102-40		STRUCTURE ASSY-OUTBD SLAT NO.2 AND 11 WING LE (VARIABLE) (RH) (PRE SB 767-57A0057)	W	RF
-4C	114T4102-42		STRUCTURE ASSY-OUTBD SLAT NO.2 AND 11 WING LE (RH) (PRE SB 767-57A0057)	AA	RF
-4D	114T4102-46		STRUCTURE ASSY-OUTBD SLAT NO.2 AND 11 WING LE (VARIABLE) (RH) (PRE SB 767-57A0057)	AB	RF
-4E	114T4102-48		STRUCTURE ASSY-OUTBD SLAT NO.2 AND 11 WING LE (RH)	K	RF
-4F	114T4102-50		DELETED		
-4G	015T1507-226		STRUCTURE ASSY-OUTBD SLAT NO.2 AND 11 WING LE (RH) (POST SB 767-57A0057)	CW	RF
-4H	015T1507-260		STRUCTURE ASSY-OUTBD SLAT NO.2 AND 11 WING LE (RH) (POST SB 767-57A0057)	CX	RF
-4J	015T1507-230		STRUCTURE ASSY-OUTBD SLAT NO.2 AND 11 WING LE (RH) (POST SB 767-57A0057)	CY	RF
-4K	015T1507-264		STRUCTURE ASSY-OUTBD SLAT NO.2 AND 11 WING LE (RH) (POST SB 767-57A0057)	CZ	RF
-4L	015T1507-232		STRUCTURE ASSY-OUTBD SLAT NO.2 AND 11 WING LE (RH) (POST SB 767-57A0057)	DA	RF
-4M	015T1507-266		STRUCTURE ASSY-OUTBD SLAT NO.2 AND 11 WING LE (RH) (POST SB 767-57A0057)	DB	RF

# 57-43-45

 ILLUSTRATED PARTS LIST  
 01.1 Page 1060J  
 Nov 01/00

114T4102  
 015T0165  
 015T1507  
 DASH NUMBERS LIMITED

 **BOEING**  
 COMPONENT  
 MAINTENANCE MANUAL

FIG. & ITEM	PART NO.	AIRLINE PART NUMBER	NOMENCLATURE 1234567	EFF CODE	QTY PER ASSY
04- -4N	015T1507-234		STRUCTURE ASSY-OUTBD SLAT NO.2 AND 11 WING LE (RH) (POST SB 767-57A0057)	DC	RF
-4P	015T1507-268		STRUCTURE ASSY-OUTBD SLAT NO.2 AND 11 WING LE (RH) (POST SB 767-57A0057)	DD	RF
-4Q	114T4102-52SP		STRUCTURE ASSY-OUTBD SLAT NO. 2 AND 11 WING LE (RH)	DG	RF
-4R	114T4102-54SP		STRUCTURE ASSY-OUTBD SLAT NO. 2 AND 11 WING LE (RH)	DH	RF
-4S	114T4102-402SP		STRUCTURE ASSY-OUTBD SLAT NO. 2 AND 11 WING LE (RH)	DK	RF
-4T	114T4102-404G		STRUCTURE ASSY-OUTBD SLAT NO. 2 AND 11 WING LE (RH)	DN	RF
-4U	114T4102-404P		STRUCTURE ASSY-OUTBD SLAT NO. 2 AND 11 WING LE (RH)	DP	RF
6	BACB30NT3K7		.BOLT	G-L,V ,W, Z-AB, CN-DP	50
6L	BACB30NN3K8		.BOLT	H,K,D E-DP	2
6R	BACB30NT3K7		.BOLT	G,J,L ,V,W, Z-AB, CN-DD	4
7	BACB30NN3K9		.BOLT	H,K,D E-DP	2
8	AN960PD10L		.WASHER	G,J,L ,V,W, Z-AB, CN-DD	50
-8A	NAS1149D0332J		.WASHER	H,K,D E-DP	50
8L	AN960PD10L		.WASHER	G,J,L ,V,W, Z-AB, CN-DD	4
10	AN960PD10		.WASHER	G,J,L ,V,W, Z-AB, CN-DD	1
10L	NAS1149D0363J		.WASHER	H,K,D E-DP	1

**57-43-45**

ILLUSTRATED PARTS LIST  
 01.1 Page 1060K  
 Nov 01/00



FIG. & ITEM	PART NO.	AIRLINE PART NUMBER	NOMENCLATURE 1234567	EFF CODE	QTY PER ASSY
04-12	H10-3BAC		.NUT- (V15653) (SPEC BACN10JC3) (OPT NS202101-02 (V80539)) (OPT RMLH9075-3W (V72962)) (OPT T6S1032J (V71087)) (OPT VN303A02 (V92215)) (OPT 96-02 (V80539)) (OPT BRH10A3 (V52828))	G,J,L ,V,W, Z-AB, CN-DD	1
12L	BACN10JC3D		.NUT	H,K,D E-DP	1
14	114T4233-32		.RETAINER	G-L,V ,W, Z-AB, CN-DP	50
14L	114T4233-32		.RETAINER	G,J,L ,V,W, Z-AB, CN-DD	4
15	256T2931-3		DELETED		
15A	256T2931-9		.GUIDE-CABLE	H,DE, DF,DJ	1
15C	114T4233-33		.RETAINER	DL,DM	1
-15E	256T2931-4		DELETED		
-15F	256T2931-10		.GUIDE-CABLE	K,DG, DH,DK	1
-15H	114T4233-33		.RETAINER	DN-DP	1
15L	256T2931-1		DELETED		
15M	256T2931-7		.GUIDE-CABLE	H,DE, DF,DJ	1
15P	114T4233-33		.RETAINER	DL,DM	1
-15R	256T2931-2		DELETED		
-15S	256T2931-8		.GUIDE-CABLE	K,DG, DH,DK	1
-15U	114T4233-33		.RETAINER	DN-DP	1

# 57-43-45

 ILLUSTRATED PARTS LIST  
 01.1 Page 1060L  
 Nov 01/00

114T4102  
 015T0165  
 015T1507  
 DASH NUMBERS LIMITED

 **BOEING**  
 COMPONENT  
 MAINTENANCE MANUAL

FIG. & ITEM	PART NO.	AIRLINE PART NUMBER	NOMENCLATURE 1234567	EFF CODE	QTY PER ASSY
04-16	114T4232-7		.SEAL-BULB (MFD FROM EXTR RUBBER F25.01 10-60754-319 44.50 IN.)	G,H,L ,V,Z, CN-CV ,DE,D F,DJ DL,DM	1
-18	114T4232-8		.SEAL-BULB (MFD FROM EXTR RUBBER F25.01 10-60754-319 44.50 IN.)	J,K,W ,AA,A B,C W-DD, DG,DH DK,DH N-DP	1
20	114T4232-9		.SEAL-BULB (MFD FROM EXTR RUBBER F25.01 10-60754-319 64.00 IN.)	G,H,L ,V,Z, CN-CV ,DE,D F,DJ DL,DM	1
-22	114T4232-10		.SEAL-BULB (MFD FROM EXTR RUBBER F25.01 10-60754-319 64.00 IN.)	J,K,W ,AA,A B,C W-DD, DG,DH DK,DH N-DP	1
24	114T4232-11		.SEAL-BULB (MFD FROM EXTR RUBBER F25.01 10-60754-319 44.00 IN.)	G,H,L ,V,Z, CN-CV ,DE,D F,DJ DL,DM	1

**57-43-45**

ILLUSTRATED PARTS LIST  
 01.1 Page 1060M  
 Nov 01/00

FIG. & ITEM	PART NO.	AIRLINE PART NUMBER	NOMENCLATURE 1234567	EFF CODE	QTY PER ASSY
04- -26	114T4232-12		.SEAL-BULB (MFD FROM EXTR RUBBER F25.01 10-60754-319 44.00 IN.)	J,K,W ,AA,A B,C W-DD, DG,DH DK,DH N-DP	1
28	BACR15BA3AD		.RIVET- (SIZE DETERMINE ON INST)	G-L,V ,W, Z-AB, CN-DP	106
30	BACN10JQ32		.NUTPLATE	G,J,L ,V,W, Z-AB, CN-DD	50
-30A	MF19058-3-2BAC		.NUTPLATE- (V15653) (SPEC BACN10YF32)	H,K,D E-DP	50
32	BACN10JQ33		.NUTPLATE	G,J,L ,V,W, Z-AB, CN-DD	1
-32A	MF19058-3-3BAC		.NUTPLATE- (V15653) (SPEC BACN10YF33)	H,K,D E-DP	1
34	NS103225-02		.NUTPLATE- (V80539) (SPEC BACN10KH3) (OPT RMF9209M3 (V72962)) (OPT F29779-3 (V15653))	G-L,V ,W, Z-AB, CN-DP	2

# 57-43-45

 ILLUSTRATED PARTS LIST  
 01.1 Page 1060N  
 Nov 01/00

FIG. & ITEM	PART NO.	AIRLINE PART NUMBER	NOMENCLATURE 1234567	EFF CODE	QTY PER ASSY
04-36	BACB30NN3K4		.BOLT	G-L,V ,W, Z-AB, CN-DP	1
38	BACB30NT3K4		.BOLT	G-L,V ,W, Z-AB, CN-DP	4
40	BACB30NT3K3		.BOLT	G-L,V ,W, Z-AB, CN-DP	1
42	AN960PD10		.WASHER	G,J,L ,V,W, Z-AB, CN-DD	9
-42A	NAS1149D0363J		.WASHER	H,K,D E-DP	9
44	AN960PD10L		.WASHER	G,J,L ,V,W, Z-AB, CN-DD	2
-44A	NAS1149D0332J		.WASHER	H,K,D E-DP	2
46	H10-3BAC		.NUT- (V15653) (SPEC BACN10JC3) (OPT NS202101-02 (V80539)) (OPT RMLH9075-3W (V72962)) (OPT T6S1032J (V71087)) (OPT VN303A02 (V92215)) (OPT 96-02 (V80539)) (OPT BRH10A3 (V52828))	G,J,L ,V,W, Z-AB, CN-DD	6
-46A	BACN10JC3CD		.NUT	H,K,D E-DP	6

57-43-45

FIG. & ITEM	PART NO.	AIRLINE PART NUMBER	NOMENCLATURE 1234567	EFF CODE	QTY PER ASSY
04-48	114T4235-1		.RETAINER	G-L,V ,W, Z-AB, CN-DP	1
50	114T4234-7		.SEAL-BULB (MFD FROM EXTR RUBBER F25.01 10-60754-15 8.80 IN.)	G,H,L ,V,Z, CN-CV ,DE,D F,DJ DL,DM	1
-52	114T4234-8		.SEAL-BULB (MFD FROM EXTR RUBBER F25.01 10-60754-15 8.80 IN.)	J,K,W ,AA,A B,C W-DD, DG,DH DK,DH N-DP	1
54	114T4233-31		.RETAINER	G-L,V ,W, Z-AB, CN-DP	1
56	114T4234-11		.SEAL-BULB (MFD FROM EXTR RUBBER F25.01 10-60754-15 1.50 IN.)	G,H,L ,V,Z, CN-CV ,DE,D F,DJ DL,DM	1
-58	114T4234-12		.SEAL-BULB (MFD FROM EXTR RUBBER F25.01 10-60754-15 1.50 IN.)	J,K,W ,AA,A B,C W-DD, DG,DH DK,DH N-DP	1
60	BACB30NN3K5		.BOLT	G-L,V ,W, Z-AB, CN-DP	2
62	BACB30NN3K4		.BOLT	G-L,V ,W, Z-AB, CN-DP	13

# 57-43-45

 ILLUSTRATED PARTS LIST  
 01.1 Page 1060P  
 Nov 01/00

114T4102  
 015T0165  
 015T1507  
 DASH NUMBERS LIMITED

 **BOEING**  
 COMPONENT  
 MAINTENANCE MANUAL

FIG. & ITEM	PART NO.	AIRLINE PART NUMBER	NOMENCLATURE 1234567	EFF CODE	QTY PER ASSY
04-64	114T4231-45		.RETAINER ASSY	G-L,V W, Z-AB, CN-DP	1
66	114T4231-1		..RETAINER	G-L,V W, Z-AB, CN-DP	1
68	BRFM20A3		..NUTPLATE- (V52828) (SPEC BACN10JN3) (OPT MF1000-3BAC (V15653)) (OPT NS103218-02 (V80539)) (OPT RMF9201M3 (V72962)) (OPT VN252A02 (V92215)) (OPT MF1000-3BAC (V15653)) (OPT MF53049-3 (V15653))	G-L,V W, Z-AB, CN-DP	5
70	114T4230-1		.SEAL- (MFD FROM SH RUBBER BMS1-50 TYPE II GRADE 60 F25.01 0.094 IN. 1.25 IN. 7.90 IN.)	G-L,V W, Z-AB, CN-DP	1
72	114T4231-49		.RETAINER ASSY	G-L,V W, Z-AB, CN-DP	1

**57-43-45**

ILLUSTRATED PARTS LIST  
 01.1 Page 1060Q  
 Nov 01/00

FIG. & ITEM	PART NO.	AIRLINE PART NUMBER	NOMENCLATURE 1234567	EFF CODE	QTY PER ASSY
04-74	114T4231-5		..RETAINER	G-L,V W, Z-AB, CN-DP	1
76	BRFM20A3		..NUTPLATE- (V52828) (SPEC BACN10JN3) (OPT MF1000-3BAC (V15653)) (OPT NS103218-02 (V80539)) (OPT RMF9201M3 (V72962)) (OPT VN252A02 (V92215)) (OPT MF1000-3BAC (V15653)) (OPT MF53049-3 (V15653))	G-L,V W, Z-AB, CN-DP	4
78	114T4230-5		.SEAL- (MFD FROM SH RUBBER BMS1-50 TYPE II GRADE 60 F25.01 0.094 IN. 1.25 IN. 6.60 IN.)	G-L,V W, Z-AB, CN-DP	1
80	114T4231-53		.RETAINER ASSY	G-L,V W, Z-AB, CN-DP	1
82	114T4231-9		..RETAINER	G-L,V W, Z-AB, CN-DP	1

# 57-43-45

 ILLUSTRATED PARTS LIST  
 01.1 Page 1060R  
 Nov 01/00

FIG. & ITEM	PART NO.	AIRLINE PART NUMBER	NOMENCLATURE 1234567	EFF CODE	QTY PER ASSY
04-84	BRFM20A3		. .NUTPLATE- (V52828) (SPEC BACN10JN3) (OPT MF1000-3BAC (V15653)) (OPT NS103218-02 (V80539)) (OPT RMF9201M3 (V72962)) (OPT VN252A02 (V92215)) (OPT MF1000-3BAC (V15653)) (OPT MF53049-3 (V15653))	G-L,V W, Z-AB, CN-DP	3
86	114T4230-9		.SEAL- (MFD FROM SH RUBBER BMS1-50 TYPE II GRADE 60 F25.01 0.094 IN. 1.25 IN. 7.90 IN.)	G-L,V W, Z-AB, CN-DP	1
88	114T4231-13		.RETAINER	G-L,V W, Z-AB, CN-DP	1
90	114T4230-13		.SEAL- (MFD FROM SH RUBBER BMS1-50 TYPE II GRADE 60 F25.01 0.094 IN. 1.25 IN. 3.45 IN.)	G-L,V W, Z-AB, CN-DP	1
92	BACR15BA3AD		.RIVET- (SIZE DETERMINE ON INST) (NHA 114T4102)	G-L,V W, Z-AB, CN-DP	6

57-43-45



FIG. & ITEM	PART NO.	AIRLINE PART NUMBER	NOMENCLATURE 1234567	EFF CODE	QTY PER ASSY
04-94	BRFM20A3		.NUTPLATE- (V52828) (SPEC BACN10JN3) (OPT MF1000-3BAC (V15653)) (OPT NS103218-02 (V80539)) (OPT RMF9201M3 (V72962)) (OPT VN252A02 (V92215)) (OPT MF1000-3BAC (V15653)) (OPT MF53049-3 (V15653))	G-L,V ,W, Z-AB, CN-DP	3
96	114T4224-2		.SEAL-BULB	G,J,L ,V,W, Z-AB, CN-DD	1
-96A	114T4224-7		.SEAL-BULB	H,K,D E-DP	1
98	114T4224-3		.SEAL-BULB	G,J,L ,V,W, Z-AB, CN-DD	1
-98A	114T4224-8		.SEAL-BULB	H,K,D E-DP	1
100	BACR15CE5KE		.RIVET- (SIZE DETERMINE ON INST)	G-L,V ,W, Z-AB, CN-DP	17
102	114T4225-3		.RETAINER	G-L,V ,W, Z-AB, CN-DP	1
104	114T4225-4		.RETAINER	G-L,V ,W, Z-AB, CN-DP	1
106	114T4236-2		.SEAL- (MFD FROM SH SPONGE RUBBER BMS1-23 20.50 IN. 1.00 IN. 2.00 IN.)	G,J,V ,W,C N-CR, CW-CZ	1

# 57-43-45

 ILLUSTRATED PARTS LIST  
 01.1 Page 1060T  
 Nov 01/00

FIG. & ITEM	PART NO.	AIRLINE PART NUMBER	NOMENCLATURE	EFF CODE	QTY PER ASSY
			1234567		
04- -106A	114T4236-8		.SEAL- (MFD FROM SH SPONGE RUBBER BMS1-23 0.50 IN 1.00 IN 1.70 IN)	H,K,L ,Z-AB ,CS-C V,D A-DP	1
108	114T4236-3		.SEAL- (MFD FROM SH SPONGE RUBBER BMS1-23 20.60 IN. 1.00 IN. 2.60 IN.)	G,J,V ,W,C N-CR, CW-CZ	1
-108A	114T4236-9		.SEAL- (MFD FROM SH SPONGE RUBBER BMS1-23 0.60 IN 1.00 IN 2.20 IN)	H,K,L ,Z-AB ,CS-C V,D A-DP	1
110	BACB30NN3K6		.BOLT	G-L,V ,W, Z-AB, CN-DP	1
112	AN960PD10L		.WASHER	G,J,L ,V,W, Z-AB, CN-DD	1
-112A	NAS1149D0332J		.WASHER	H,K,D E-DP	1
114	H10-3BAC		.NUT- (V15653) (SPEC BACN10JC3) (OPT NS202101-02 (V80539)) (OPT RMLH9075-3W (V72962)) (OPT T6S1032J (V71087)) (OPT VN303A02 (V92215)) (OPT 96-02 (V80539)) (OPT BRH10A3 (V52828))	G,J,L ,V,W, Z-AB, CN-DD	1

57-43-45

FIG. & ITEM	PART NO.	AIRLINE PART NUMBER	NOMENCLATURE 1234567	EFF CODE	QTY PER ASSY
04- -114A	BACN10JC3CD		.NUT	H,K,D E-DP	1
116	114T4235-8		.RETAINER	G-L,V ,W, Z-AB, CN-DP	1
118	114T4237-7		.SEAL	G,H,L ,V,Z, CN-CV ,DE,D F,DJ DL,DM	1
-120	114T4237-8		.SEAL	J,K,W ,AA,A B,C W-DD, DG,DH DK,DH N-DP	1
122	114T4226-2		.SEAL	G-L,V ,W, Z-AB, CN-DP	2
124	114T4242-5		.RETAINER	G,H,L ,V,Z, CN-CV ,DE,D F,DJ DL,DM	1

# 57-43-45

 ILLUSTRATED PARTS LIST  
 01.1 Page 1060V  
 Nov 01/00

114T4102  
 015T0165  
 015T1507  
 DASH NUMBERS LIMITED

 **BOEING**  
 COMPONENT  
 MAINTENANCE MANUAL

FIG. & ITEM	PART NO.	AIRLINE PART NUMBER	NOMENCLATURE 1234567	EFF CODE	QTY PER ASSY
04- -126	114T4242-6		.RETAINER	J,K,W ,AA,A B,C W-DD, DG,DH DK,DH N-DP	1
128	114T4242-7		.RETAINER	G,H,L ,V,Z, CN-CV ,DE,D F,DJ DL,DM	1
-130	114T4242-8		.RETAINER	J,K,W ,AA,A B,C W-DD, DG,DH DK,DH N-DP	1
132	BACB30NU3K5		.BOLT	G,J,L ,V,W, Z-AB, CN-DD	11
-132A	BACB30VF3K5		.BOLT	H,K,D E-DP	11
134	BACB30NT3K5		.BOLT	G-L,V ,W, Z-AB, CN-DP	2

**57-43-45**

ILLUSTRATED PARTS LIST  
 01.1 Page 1060W  
 Nov 01/00

FIG. & ITEM	PART NO.	AIRLINE PART NUMBER	NOMENCLATURE 1234567	EFF CODE	QTY PER ASSY
04-136	BACR15FT5AD		.RIVET- (SIZE DETERMINE ON INST)	G-L,V ,W, Z-AB, CN-DP	27
138	BACR15FT6AD		.RIVET- (SIZE DETERMINE ON INST)	G-L,V ,W, Z-AB, CN-DP	1
140	BACF3F009E178NN		.FILLER	G-L,V ,W, Z-AB, CN-DP	1
142	114T4262-1		.PANEL-COVE	G,H,L ,V,Z, CN-CV ,DE,D F,DJ DL,DM	1
-144	114T4262-2		.PANEL-COVE	J,K,W ,AA,A B,C W-DD, DG,DH DK,DH N-DP	1
146	BACR15BA3AD		.RIVET- (SIZE DETERMINE ON INST)	G-L,V ,W, Z-AB, CN-DP	24
148	BACN10JQ33		.NUTPLATE	G,J,L ,V,W, Z-AB, CN-DD	11
-148A	MF19058-3-3BAC		.NUTPLATE- (V15653) (SPEC BACN10YF33)	H,K,D E-DP	11
150	NS103225-02		.NUTPLATE- (V80539) (SPEC BACN10KH3) (OPT RMF9209M3 (V72962)) (OPT F29779-3 (V15653))	G-L,V ,W, Z-AB, CN-DP	1

# 57-43-45

 ILLUSTRATED PARTS LIST  
 01.1 Page 1060X  
 Nov 01/00

114T4102  
 015T0165  
 015T1507  
 DASH NUMBERS LIMITED

 **BOEING**  
 COMPONENT  
 MAINTENANCE MANUAL

FIG. & ITEM	PART NO.	AIRLINE PART NUMBER	NOMENCLATURE 1234567	EFF CODE	QTY PER ASSY
04-152	BACB30NN3K6		.BOLT	G-L,V ,W, Z-AB, CN-DP	17
154	BACB30NT3K7		.BOLT	G-L,V ,W, Z-AB, CN-DP	63
156	BACR15CE5KE		.RIVET- (SIZE DETERMINE ON INST)	G-L,V ,W, Z-AB, CN-DP	2
158	114T4262-25		.PANEL-COVE	G,H,L ,V,Z, CN-CV ,DE,D F,DJ DL,DM	1
-160	114T4262-26		.PANEL-COVE	J,K,W ,AA,A B,C W-DD, DG,DH DK,DH N-DP	1
162	BACR15BA3AD		.RIVET- (SIZE DETERMINE ON INST)	G-L,V ,W, Z-AB, CN-DP	100
164	BACN10JQ33		.NUTPLATE	G,J,L ,V,W, Z-AB, CN-DD	3

**57-43-45**

ILLUSTRATED PARTS LIST  
 01.1 Page 1060Y  
 Nov 01/00

FIG. & ITEM	PART NO.	AIRLINE PART NUMBER	NOMENCLATURE 1234567	EFF CODE	QTY PER ASSY
04- -164A	MF19058-3-3BAC		.NUTPLATE- (V15653) (SPEC BACN10YF33)	H,K,D E-DP	3
166	BACN10JQ34		.NUTPLATE	G,J,L ,V,W, Z-AB, CN-DD	13
-166A	MF19058-3-4BAC		.NUTPLATE- (V15653) (SPEC BACN10YF34)	H,K,D E-DM	13
168	BACN10JQ35		.NUTPLATE	G,J,L ,V,W, Z-AB, CN-DD	22
-168A	MF19058-3-5BAC		.NUTPLATE- (V15653) (SPEC BACN10YF35)	H,K,D E-DM	22
170	BACN10JQ36		.NUTPLATE	G,J,L ,V,W, Z-AB, CN-DD	8
-170A	MF19058-3-6BAC		.NUTPLATE- (V15653) (SPEC BACN10YF36)	H,K,D E-DM	8
172	NS103225-02		.NUTPLATE- (V80539) (SPEC BACN10KH3) (OPT RMF9209M3 (V72962)) (OPT F29779-3 (V15653))	G-L,V ,W, Z-AB, CN-DM	4

# 57-43-45

 ILLUSTRATED PARTS LIST  
 01.1 Page 1060Z  
 Nov 01/00

FIG. & ITEM	PART NO.	AIRLINE PART NUMBER	NOMENCLATURE 1234567	EFF CODE	QTY PER ASSY
04-174	NAS1195DD3KH		.SHIM	G-L,V W, Z-AB, CN-DM	2
176	114T4110-17		.STIFFENER	G-L,V W, Z-AB, CN-DM	1
178	114T4110-19		.STIFFENER	G,H,L V,Z, CN-CV DE,D F,DJ DL,DM	1
-180	114T4110-20		.STIFFENER	J,K,W AA,A B,C W-DD, DG,DH DK,DH N-DP	1
182	BACB30NU3K5		.BOLT	G,J,L V,W, Z-AB, CN-DD	9
-182A	BACB30VF3K5		.BOLT	H,K,D E-DM	9
184	BACB30NT3K3		.BOLT	G-L,V W, Z-AB, CN-DM	2
186	BACB30NT3K5		.BOLT	G-L,V W, Z-AB, CN-DM	4
188	AN960PD10		.WASHER	G,J,L V,W, Z-AB, CN-DD	2
-188A	NAS1149D0363J		.WASHER	H,K,D E-DM	2

57-43-45



FIG. & ITEM	PART NO.	AIRLINE PART NUMBER	NOMENCLATURE 1234567	EFF CODE	QTY PER ASSY
04-190	H10-3BAC		.NUT- (V15653) (SPEC BACN10JC3) (OPT NS202101-02 (V80539)) (OPT RMLH9075-3W (V72962)) (OPT T6S1032J (V71087)) (OPT VN303A02 (V92215)) (OPT 96-02 (V80539)) (OPT BRH10A3 (V52828))	G,J,L ,V,W, Z-AB, CN-DD	2
-190A	BACN10JC3CD		.NUT	H,K,D E-DM	2
192	BACR15FT6AD		.RIVET- (SIZE DETERMINE ON INST)	G-L,V ,W, Z-AB, CN-DM	34
194	114T4262-21		.PANEL-COVE	G,H,L ,V,Z, CN-CV ,DE,D F,DJ DL,DM	1
-196	114T4262-22		.PANEL-COVE	J,K,W ,AA,A B,C W-DD, DG,DH DK,DH N-DP	1
198	BACR15BA3AD		.RIVET- (SIZE DETERMINE ON INST)	G-L,V ,W, Z-AB, CN-DP	22
200	BACN10JQ32		.NUTPLATE	G,J,L ,V,W, Z-AB, CN-DD	2

# 57-43-45

 ILLUSTRATED PARTS LIST  
 01.1 Page 1062  
 Nov 01/00

114T4102  
 015T0165  
 015T1507  
 DASH NUMBERS LIMITED

 **BOEING**  
 COMPONENT  
 MAINTENANCE MANUAL

FIG. & ITEM	PART NO.	AIRLINE PART NUMBER	NOMENCLATURE 1234567	EFF CODE	QTY PER ASSY
04- -200A	MF19058-3-2BAC		.NUTPLATE- (V15653) (SPEC BACN10YF32)	H,K,D E-DP	2
202	BACN10JQ33		.NUTPLATE	G,J,L ,V,W, Z-AB, CN-DD	5
-202A	MF19058-3-3BAC		.NUTPLATE- (V15653) (SPEC BACN10YF33)	H,K,D E-DP	5
204	NS103225-02		.NUTPLATE- (V80539) (SPEC BACN10KH3) (OPT RMF9209M3 (V72962)) (OPT F29779-3 (V15653))	G-L,V ,W, Z-AB, CN-DP	4
206	114T4110-21		.STIFFENER	G-L,V ,W, Z-AB, CN-DP	1
208	BACB30NN3K6		.BOLT	G-L,V ,W, Z-AB, CN-DP	5
210	BACB30NT3K7		.BOLT	G-L,V ,W, Z-AB, CN-DP	18
212	BACF3F009E080NN		.FILLER	G-L,V ,W, Z-AB, CN-DP	1

**57-43-45**

ILLUSTRATED PARTS LIST  
 01.1 Page 1062A  
 Nov 01/00

FIG. & ITEM	PART NO.	AIRLINE PART NUMBER	NOMENCLATURE 1234567	EFF CODE	QTY PER ASSY
04-214	114T4262-7		.PANEL-COVE	G,H,L ,V,Z, CN-CV ,DE,D F,DJ DL,DM	1
-216	114T4262-8		.PANEL-COVE	J,K,W ,AA,A B,C W-DD, DG,DH DK,DH N-DP	1
218	BACR15BA3AD		.RIVET- (SIZE DETERMINE ON INST)	G-L,V ,W, Z-AB, CN-DP	50
220	BACN10JQ33		.NUTPLATE	G,J,L ,V,W, Z-AB, CN-DD	1
-220A	MF19058-3-3BAC		.NUTPLATE- (V15653) (SPEC BACN10YF33)	H,K,D E-DP	1
222	BACN10JQ34		.NUTPLATE	G,J,L ,V,W, Z-AB, CN-DD	4
-222A	MF19058-3-4BAC		.NUTPLATE- (V15653) (SPEC BACN10YF34)	H,K,D E-DP	4
224	BACN10JQ35		.NUTPLATE	G,J,L ,V,W, Z-AB, CN-DD	12

# 57-43-45

 ILLUSTRATED PARTS LIST  
 01.1 Page 1062B  
 Nov 01/00

114T4102  
 015T0165  
 015T1507  
 DASH NUMBERS LIMITED

 **BOEING**  
 COMPONENT  
 MAINTENANCE MANUAL

FIG. & ITEM	PART NO.	AIRLINE PART NUMBER	NOMENCLATURE 1234567	EFF CODE	QTY PER ASSY
04- -224A	MF19058-3-5BAC		.NUTPLATE- (V15653) (SPEC BACN10YF35)	H,K,D E-DP	12
226	BACN10JQ36		.NUTPLATE	G,J,L ,V,W, Z-AB, CN-DD	6
-226A	MF19058-3-6BAC		.NUTPLATE- (V15653) (SPEC BACN10YF36)	H,K,D E-DP	6
228	114T4110-23		.STIFFENER	G-L,V ,W, Z-AB, CN-DP	1
230	BACB30NT3K5		.BOLT	G-L,V ,W, Z-AB, CN-DP	4
232	114T4302-4		.FITTING-ALIGN.	G-L,V ,W, Z-AB, CN-DP	1
234	BACB30NU3K5		.BOLT	G,J,L ,V,W, Z-AB, CN-DD	20
-234A	BACB30VF3K5		.BOLT	H,K,D E-DP	20
236	BACB30NN3K6		.BOLT	G-L,V ,W, Z-AB, CN-DP	2

**57-43-45**

ILLUSTRATED PARTS LIST  
 01.1 Page 1062C  
 Nov 01/00

FIG. & ITEM	PART NO.	AIRLINE PART NUMBER	NOMENCLATURE 1234567	EFF CODE	QTY PER ASSY
04-238	BACB30NT3K5		.BOLT	G-L,V ,W, Z-AB, CN-DP	2
240	BACB30NT3K3		.BOLT	G-L,V ,W, Z-AB, CN-DP	2
242	BACR15FT5AD		.RIVET- (SIZE DETERMINE ON INST)	G-L,V ,W, Z-AB, CN-DP	48
244	BACF3F009E262NN		.FILLER	G-L,V ,W, Z-AB, CN-DP	1
246	114T4262-9		.PANEL-COVE	G,H,L ,V,Z, CN-CV ,DE,D F,DJ DL,DM	1
-248	114T4262-10		.PANEL-COVE	J,K,W ,AA,A B,C W-DD, DG,DH DK,DH N-DP	1
250	BACR15BA3AD		.RIVET- (SIZE DETERMINE ON INST)	G-L,V ,W, Z-AB, CN-DP	48
252	BACN10JQ32		.NUTPLATE	G,J,L ,V,W, Z-AB, CN-DD	2
-252A	MF19058-3-2BAC		.NUTPLATE- (V15653) (SPEC BACN10YF32)	H,K,D E-DP	2

# 57-43-45

 ILLUSTRATED PARTS LIST  
 01.1 Page 1062D  
 Nov 01/00

114T4102  
 015T0165  
 015T1507  
 DASH NUMBERS LIMITED

 **BOEING**  
 COMPONENT  
 MAINTENANCE MANUAL

FIG. & ITEM	PART NO.	AIRLINE PART NUMBER	NOMENCLATURE 1234567	EFF CODE	QTY PER ASSY
04-254	BACN10JQ33		.NUTPLATE	G,J,L V,W Z-AB CN-DD	18
-254A	MF19058-3-3BAC		.NUTPLATE- (V15653) (SPEC BACN10YF33)	H,K,D E-DP	18
256	NS103225-02		.NUTPLATE- (V80539) (SPEC BACN10KH3) (OPT RMF9209M3 (V72962)) (OPT F29779-3 (V15653))	G-L,V W Z-AB CN-DP	4
258	NAS1195DD3KH		.SHIM	G-L,V W Z-AB CN-DP	2
260	114T4110-25		.STIFFENER	G-L,V W Z-AB CN-DP	1
262	BACB30NN3K6		.BOLT	G-L,V W Z-AB CN-DP	5
264	BACB30NT3K7		.BOLT	G-L,V W Z-AB CN-DP	20

**57-43-45**

ILLUSTRATED PARTS LIST  
 01.1 Page 1062E  
 Nov 01/00

FIG. & ITEM	PART NO.	AIRLINE PART NUMBER	NOMENCLATURE 1234567	EFF CODE	QTY PER ASSY
04-266	BACF3F009E080NN		. FILLER	G-L, V , W, Z-AB, CN-DP	1
268	114T4262-11		. PANEL-COVE	G, H, L , V, Z, CN-CV , DE, D F, DJ DL, DM	1
-270	114T4262-12		. PANEL-COVE	J, K, W , AA, A B, C W-DD, DG, DH DK, DH N-DP	1
272	BACR15BA3AD		. RIVET- (SIZE DETERMINE ON INST)	G-L, V , W, Z-AB, CN-DP	50
274	BACN10JQ33		. NUTPLATE	G, J, L , V, W, Z-AB, CN-DD	1
-274A	MF19058-3-3BAC		. NUTPLATE- (V15653) (SPEC BACN10YF33)	H, K, D E-DP	1
276	BACN10JQ34		. NUTPLATE	G, J, L , V, W, Z-AB, CN-DD	4

**57-43-45**

FIG. & ITEM	PART NO.	AIRLINE PART NUMBER	NOMENCLATURE 1234567	EFF CODE	QTY PER ASSY
04- -276A	MF19058-3-4BAC		.NUTPLATE- (V15653) (SPEC BACN10YF34)	H,K,D E-DP	4
278	BACN10JQ35		.NUTPLATE	G,J,L ,V,W, Z-AB, CN-DD	14
-278A	MF19058-3-5BAC		.NUTPLATE- (V15653) (SPEC BACN10YF35)	H,K,D E-DP	14
280	BACN10JQ36		.NUTPLATE	G,J,L ,V,W, Z-AB, CN-DD	6
-280A	MF19058-3-6BAC		.NUTPLATE- (V15653) (SPEC BACN10YF36)	H,K,D E-DP	6
282	114T4110-27		.STIFFENER	G-L,V ,W, Z-AB, CN-DP	1
284	BACB30NU3K5		.BOLT	G,J,L ,V,W, Z-AB, CN-DD	8
-284A	BACB30VF3K5		.BOLT	H,K,D E-DP	8
286	BACB30NT3K3		.BOLT	G-L,V ,W, Z-AB, CN-DP	2
288	BACB30NT3K5		.BOLT	G-L,V ,W, Z-AB, CN-DP	4
290	AN960PD10		.WASHER	G,J,L ,V,W, Z-AB, CN-DD	2

57-43-45



FIG. & ITEM	PART NO.	AIRLINE PART NUMBER	NOMENCLATURE 1234567	EFF CODE	QTY PER ASSY
04- -290A	NAS1149D0363J		.WASHER	H,K,D E-DP	2
292	H10-3BAC		.NUT- (V15653) (SPEC BACN10JC3) (OPT NS202101-02 (V80539)) (OPT RMLH9075-3W (V72962)) (OPT T6S1032J (V71087)) (OPT VN303A02 (V92215)) (OPT 96-02 (V80539)) (OPT BRH10A3 (V52828))	G,J,L ,V,W, Z-AB, CN-DD	2
-292A	BACN10JC3CD		.NUT	H,K,D E-DP	2
294	BACR15FT6AD		.RIVET- (SIZE DETERMINE ON INST)	G-L,V ,W, Z-AB, CN-DP	34
296	114T4262-23		.PANEL-COVE	G,H,L ,V,Z, CN-CV ,DE,D F,DJ DL,DM	1
-298	114T4262-24		.PANEL-COVE	J,K,W ,AA,A B,C W-DD, DG,DH DK,DH N-DP	1
300	BACR15BA3AD		.RIVET- (SIZE DETERMINE ON INST)	G-L,V ,W, Z-AB, CN-DP	20
302	BACN10JQ32		.NUTPLATE	G,J,L ,V,W, Z-AB, CN-DD	2

# 57-43-45

 ILLUSTRATED PARTS LIST  
 01.1 Page 1062H  
 Nov 01/00

114T4102  
 015T0165  
 015T1507  
 DASH NUMBERS LIMITED

 **BOEING**  
 COMPONENT  
 MAINTENANCE MANUAL

FIG. & ITEM	PART NO.	AIRLINE PART NUMBER	NOMENCLATURE 1234567	EFF CODE	QTY PER ASSY
04- -302A	MF19058-3-2BAC		.NUTPLATE- (V15653) (SPEC BACN10YF32)	H,K,D E-DP	2
304	BACN10JQ33		.NUTPLATE	G,J,L ,V,W, Z-AB, CN-DD	4
-304A	MF19058-3-3BAC		.NUTPLATE- (V15653) (SPEC BACN10YF33)	H,K,D E-DP	4
306	NS103225-02		.NUTPLATE- (V80539) (SPEC BACN10KH3) (OPT RMF9209M3 (V72962)) (OPT F29779-3 (V15653))	G-L,V ,W, Z-AB, CN-DP	4
308	114T4110-29		.STIFFENER	G-L,V ,W, Z-AB, CN-DP	1
310	BACB30NN3K6		.BOLT	G-L,V ,W, Z-AB, CN-DP	12
312	BACB30NT3K7		.BOLT	G-L,V ,W, Z-AB, CN-DP	67
314	BACR15CE5KE		.RIVET- (SIZE DETERMINE ON INST)	G-L,V ,W, Z-AB, CN-DP	2

**57-43-45**

ILLUSTRATED PARTS LIST  
 01.1 Page 1062I  
 Nov 01/00

FIG. & ITEM	PART NO.	AIRLINE PART NUMBER	NOMENCLATURE 1234567	EFF CODE	QTY PER ASSY
04-316	114T4262-27		.PANEL-COVE	G,H,L ,V,Z, CN-CV ,DE,D F,DJ DL,DM	1
-318	114T4262-28		.PANEL-COVE	J,K,W ,AA,A B,C W-DD, DG,DH DK,DH N-DP	1
320	BACR15BA3AD		.RIVET- (SIZE DETERMINE ON INST)	G-L,V ,W, Z-AB, CN-DP	100
322	BACN10JQ33		.NUTPLATE	G,J,L ,V,W, Z-AB, CN-DD	3
-322A	MF19058-3-3BAC		.NUTPLATE- (V15653) (SPEC BACN10YF33)	H,K,D E-DP	3
324	BACN10JQ34		.NUTPLATE	G,J,L ,V,W, Z-AB, CN-DD	10
-324A	MF19058-3-4BAC		.NUTPLATE- (V15653) (SPEC BACN10YF34)	H,K,D E-DP	10
326	BACN10JQ35		.NUTPLATE	G,J,L ,V,W, Z-AB, CN-DD	25

# 57-43-45

 ILLUSTRATED PARTS LIST  
 01.1 Page 1062J  
 Nov 01/00

114T4102  
 015T0165  
 015T1507  
 DASH NUMBERS LIMITED

 **BOEING**  
 COMPONENT  
 MAINTENANCE MANUAL

FIG. & ITEM	PART NO.	AIRLINE PART NUMBER	NOMENCLATURE 1234567	EFF CODE	QTY PER ASSY
04- -326A	MF19058-3-5BAC		.NUTPLATE- (V15653) (SPEC BACN10YF35)	H,K,D E-DP	25
328	BACN10JQ36		.NUTPLATE	G,J,L ,V,W, Z-AB, CN-DD	8
-328A	MF19058-3-6BAC		.NUTPLATE- (V15653) (SPEC BACN10YF36)	H,K,D E-DP	8
330	NS103225-02		.NUTPLATE- (V80539) (SPEC BACN10KH3) (OPT RMF9209M3 (V72962)) (OPT F29779-3 (V15653))	G-L,V ,W, Z-AB, CN-DP	4
332	NAS1195DD3KH		.SHIM	G-L,V ,W, Z-AB, CN-DP	2
334	114T4110-31		.STIFFENER	G-L,V ,W, Z-AB, CN-DP	1
336	114T4110-33		.STIFFENER	G,H,L ,V,Z, CN-CV ,DE,D F,DJ DL,DM	1

**57-43-45**

ILLUSTRATED PARTS LIST  
 01.1 Page 1062K  
 Nov 01/00

FIG. & ITEM	PART NO.	AIRLINE PART NUMBER	NOMENCLATURE 1234567	EFF CODE	QTY PER ASSY
04- -338	114T4110-34		.STIFFENER	J,K,W ,AA,A B,C W-DD, DG,DH DK,DH N-DP	1
340	BACB30NU3K5		.BOLT	G,J,L ,V,W, Z-AB, CN-DD	13
-340A	BACB30VF3K5		.BOLT	H,K,D E-DP	13
342	BACB30NT3K5		.BOLT	G-L,V ,W, Z-AB, CN-DP	2
344	BACR15FT5AD		.RIVET- (SIZE DETERMINE ON INST)	G-L,V ,W, Z-AB, CN-DP	29
346	BACR15FT6AD		.RIVET- (SIZE DETERMINE ON INST)	G-L,V ,W, Z-AB, CN-DP	1
348	BACF3F009E180NN		.FILLER	G-L,V ,W, Z-AB, CN-DP	1
350	114T4262-17		.PANEL-COVE	G,H,L ,V,Z, CN-CV ,DE,D F,DJ DL,DM	1
-352	114T4262-18		.PANEL-COVE	J,K,W ,AA,A B,C W-DD, DG,DH DK,DH N-DP	1

# 57-43-45

 ILLUSTRATED PARTS LIST  
 01.1 Page 1062L  
 Nov 01/00

FIG. & ITEM	PART NO.	AIRLINE PART NUMBER	NOMENCLATURE 1234567	EFF CODE	QTY PER ASSY
04-354	BACR15BA3AD		.RIVET- (SIZE DETERMINE ON INST)	G-L,V ,W, Z-AB, CN-DP	28
356	BACN10JQ32		.NUTPLATE	G,J,L ,V,W, Z-AB, CN-DD	1
-356A	MF19058-3-2BAC		.NUTPLATE- (V15653) (SPEC BACN10YF32)	H,K,D E-DP	1
358	BACN10JQ33		.NUTPLATE	G,J,L ,V,W, Z-AB, CN-DD	12
-358A	MF19058-3-3BAC		.NUTPLATE- (V15653) (SPEC BACN10YF33)	H,K,D E-DP	12
360	NS103225-02		.NUTPLATE- (V80539) (SPEC BACN10KH3) (OPT RMF9209M3 (V72962)) (OPT F29779-3 (V15653))	G-L,V ,W, Z-AB, CN-DP	1
362	114T4110-35		.STIFFENER	G-L,V ,W, Z-AB, CN-DP	1
364	BACB30NW6K		.BOLT- (SIZE DETERMINE ON INST)	G-L,V ,W, Z-AB, CN-DP	34

57-43-45

FIG. & ITEM	PART NO.	AIRLINE PART NUMBER	NOMENCLATURE 1234567	EFF CODE	QTY PER ASSY
04-366	AN960PD10		.WASHER	G, J, L V, W Z-AB CN-DD	34
-366A	NAS1149D0363J		.WASHER	H, K, D E-DP	34
368	HL79-6		.COLLAR- (V56878) (SPEC BACC30M6) (OPT HL79-6 (V73197)) (OPT HL79-6 (V92215)) (OPT 66014-6 (V56878)) (OPT HL79-6 (V5M902))	G-L, V W Z-AB CN-DP	34
370	BACR15CE5KE		.RIVET- (SIZE DETERMINE ON INST)	G-L, V W Z-AB CN-DP	130
372	114T4101-23		.WASHER	G-L, V W Z-AB CN-DH	44
374	BACS12ER3K16		.SCREW	G-L, V W Z-AB CN-DP	4
376	BACB30MY6K5		.BOLT	G-L, V W Z-AB CN-DP	8

# 57-43-45

 ILLUSTRATED PARTS LIST  
 01.1 Page 1062N  
 Nov 01/00

FIG. & ITEM	PART NO.	AIRLINE PART NUMBER	NOMENCLATURE 1234567	EFF CODE	QTY PER ASSY
04-378	H10-3BAC		.NUT- (V15653) (SPEC BACN10JC3) (OPT NS202101-02 (V80539)) (OPT RMLH9075-3W (V72962)) (OPT T6S1032J (V71087)) (OPT VN303A02 (V92215)) (OPT 96-02 (V80539)) (OPT BRH10A3 (V52828))	G,J,L ,V,W, Z-AB, CN-DD	12
-378A	BACN10JC3CD		.NUT	H,K,D E-DP	12
380	BACR15CE5KE		.RIVET- (SIZE DETERMINE ON INST)	G-L,V ,W, Z-AB, CN-DP	8
382	114T6419-9		.FITTING	G-L,V ,W, Z-AB, CN-DP	2
384	114T6419-10		.FITTING	G-L,V ,W, Z-AB, CN-DP	2
386	BACR15BB3AD		.RIVET- (SIZE DETERMINE ON INST)	G-L,V ,W, Z-AB, CN-DP	4
388	MS27253-1		.PLATE	G-L,V ,W, Z-AB, CN-DP	1
390	BACR15BB4A		.RIVET- (SIZE DETERMINE ON INST)	G-L,V ,W, Z-AB, CN-DP	2

**57-43-45**



FIG. & ITEM	PART NO.	AIRLINE PART NUMBER	NOMENCLATURE 1234567	EFF CODE	QTY PER ASSY
04-392	BACR15CE6KE		.RIVET- (SIZE DETERMINE ON INST)	G-L,V ,W, Z-AB, CN-DP	120
394	BACR15CE5KE		.RIVET- (SIZE DETERMINE ON INST)	G-L,V ,W, Z-AB, CN-DP	14
396	BACB30NW6K		.BOLT- (SIZE DETERMINE ON INST)	G-L,V ,W, Z-AB, CN-DP	10
398	HL79-6		.COLLAR- (V56878) (SPEC BACC30M6) (OPT HL79-6 (V73197)) (OPT HL79-6 (V92215)) (OPT 66014-6 (V56878)) (OPT HL79-6 (V5M902))	G-L,V ,W, Z-AB, CN-DP	10
400	114T4151-13		.PANEL-CLOSURE	G,H,L ,V,Z, CN-CV ,DE,D F,DJ DL,DM	1
-402	114T4151-14		.PANEL-CLOSURE	J,K,W ,AA,A B,C W-DD, DG,DH DK,DH N-DP	1
404	114T4151-15		.PANEL-CLOSURE	G,H,L ,V,Z, CN-CV ,DE,D F,DJ DL,DM	1

# 57-43-45

 ILLUSTRATED PARTS LIST  
 01.1 Page 1062P  
 Nov 01/00

114T4102  
 015T0165  
 015T1507  
 DASH NUMBERS LIMITED

 **BOEING**  
 COMPONENT  
 MAINTENANCE MANUAL

FIG. & ITEM	PART NO.	AIRLINE PART NUMBER	NOMENCLATURE 1234567	EFF CODE	QTY PER ASSY
04- -406	114T4151-16		.PANEL-CLOSURE	J,K,W ,AA,A B,C W-DD, DG,DH DK,DH N-DP	1
408	114T4112-11		.WEDGE ASSY-TE (-11 IS INTERCHANGEABLE WITH -17 OR -21 ONLY IF CUSTOMER COMPLIES WITH A/D 93-14-19) (PRE SB 767-57A0039) (PRE SB 767-57A0057)	G,V	1
-408A	114T4112-17		.WEDGE ASSY-TE (-11 IS INTERCHANGEABLE WITH -17 OR -21 ONLY IF CUSTOMER COMPLIES WITH A/D 93-14-19) (POST SB 767-57A0039) (POST SB 767-57A0057)	H,L,Z ,CN,C Q,CS, CU,DF	1
-408B	114T4112-21		.WEDGE ASSY-TE (POST SB 767-57A0057)	CP,CR ,CT,C V,DE, DJ,DL ,DM	1
-410	114T4112-12		.WEDGE ASSY-TE (-12 IS INTERCHANGEABLE WITH -18 OR -22 ONLY IF CUSTOMER COMPLIES WITH A/D 93-14-19) (PRE SB 767-57A0039) (PRE SB 767-57A0057)	J,W	1
-410A	114T4112-18		.WEDGE ASSY-TE (-12 IS INTERCHANGEABLE WITH -18 OR -22 ONLY IF CUSTOMER COMPLIES WITH A/D 93-14-19) (POST SB 767-57A0039) (POST SB 767-57A0057)	K,AA, AB,CW ,CY, DA,DC ,DH	1
-410B	114T4112-22		.WEDGE ASSY-TE (POST SB 767-57A0057)	CX,CZ ,DB,D D,DG, DK,D N-DP	1

**57-43-45**

ILLUSTRATED PARTS LIST  
 01.1 Page 1062Q  
 Nov 01/00

FIG. & ITEM	PART NO.	AIRLINE PART NUMBER	NOMENCLATURE 1234567	EFF CODE	QTY PER ASSY
04-412	BACS40R08C19F		.SHIM	G,J,L ,V,W, Z-AB, CN-DD	6
-412A	BACS40R008C019F		.SHIM	H,K,D E-DP	6
414	BACS40R08C17F		.SHIM	G,J,L ,V,W, Z-AB, CN-DD	1
-414A	BACS40R008C017F		.SHIM	H,K,D E-DP	1
416	BACS40R08C09F		.SHIM	G,J,L ,V,W, Z-AB, CN-DD	2
-416A	BACS40R008C009F		.SHIM	H,K,D E-DP	2
418	114T4157-1		.PANEL ASSY-ACCESS	G,H,L ,V,Z, CN-CV ,DE,D F,DJ DL,DM	1
-420	114T4157-2		.PANEL ASSY-ACCESS	J,K,W ,AA,A B,C W-DD, DG,DH DK,DH N-DP	1

# 57-43-45

 ILLUSTRATED PARTS LIST  
 01.1 Page 1062R  
 Nov 01/00

114T4102  
 015T0165  
 015T1507  
 DASH NUMBERS LIMITED

 **BOEING**  
 COMPONENT  
 MAINTENANCE MANUAL

FIG. & ITEM	PART NO.	AIRLINE PART NUMBER	NOMENCLATURE 1234567	EFF CODE	QTY PER ASSY
04-422	114T4157-3		.PANEL ASSY-ACCESS	G,H,L ,V,Z, CN-CV ,DE,D F,DJ DL,DM	1
-424	114T4157-4		.PANEL ASSY-ACCESS	J,K,W ,AA,A B,C W-DD, DG,DH DK,DH N-DP	1
426	BACB30NN3K5		.BOLT	G-L,V ,W, Z-AB, CW-DP	58
428	BACR15BA3AD		.RIVET- (SIZE DETERMINE ON INST)	G-L,V ,W, Z-AB, CN-DP	100
430	BACN10JQ34		.NUTPLATE	G,J,L ,V,W, Z-AB, CN-DD	32
-430A	MF19058-3-4BAC		.NUTPLATE- (V15653) (SPEC BACN10YF34)	H,K,D E-DP	32
432	BACN10JQ33		.NUTPLATE	G,J,L ,V,W, Z-AB, CN-DD	7

**57-43-45**

ILLUSTRATED PARTS LIST  
 01.1 Page 1062S  
 Nov 01/00

FIG. & ITEM	PART NO.	AIRLINE PART NUMBER	NOMENCLATURE 1234567	EFF CODE	QTY PER ASSY
04- -432A	MF19058-3-3BAC		.NUTPLATE- (V15653) (SPEC BACN10YF33)	H,K,D E-DP	7
434	BACN10JQ32		.NUTPLATE	G,J,L ,V,W, Z-AB, CN-DD	7
-434A	MF19058-3-2BAC		.NUTPLATE- (V15653) (SPEC BACN10YF32)	H,K,D E-DP	7
436	NS103225-02		.NUTPLATE- (V80539) (SPEC BACN10KH3) (OPT RMF9209M3 (V72962)) (OPT F29779-3 (V15653))	G-L,V ,W, Z-AB, CN-DP	4
438	NAS1195DD3KH		.SHIM	G-L,V ,W, Z-AB, CN-DP	4
440	114T4912-5		.FITTING ASSY-INSERT	G,H,L ,V,Z, CN-CV ,DE,D F,DJ DL,DM	1
-442	114T4912-6		.FITTING ASSY-INSERT	J,K,W ,AA,A B,C W-DD, DG,DH DK,DH N-DP	1
444	114T4912-3		.FITTING ASSY-INSERT	G,H,L ,V,Z, CN-CV ,DE,D F,DJ DL,DM	1

# 57-43-45

 ILLUSTRATED PARTS LIST  
 01.1 Page 1062T  
 Nov 01/00

FIG. & ITEM	PART NO.	AIRLINE PART NUMBER	NOMENCLATURE 1234567	EFF CODE	QTY PER ASSY
04- -446	114T4912-4		.FITTING ASSY-INSERT	J,K,W ,AA,A B,C W-DD, DG,DH DK,DH N-DP	1
448	BACR15BA5A		ATTACHING PARTS .RIVET- (SIZE DETERMINE ON INST)	G-L,V ,W, Z-AB, CN-DP	4
450	BACB30NN3K5		.BOLT	G-L,V ,W, Z-AB, CN-DP	4
452	BACR15BA3AD		-----*----- .RIVET- (SIZE DETERMINE ON INST)	G-L,V ,W, Z-AB, CN-DP	8
454	BACN10JQ33		.NUTPLATE	G,J,L ,V,W, Z-AB, CN-DD	4
-454A	MF19058-3-3BAC		.NUTPLATE- (V15653) (SPEC BACN10YF33)	H,K,D E-DP	4
456	114T4602-21		.RIB ASSY-ACTR	G,H,L ,V,Z, CN-CV ,DE,D F	1
-456A	114T4602-401		.RIB ASSY-ACTR	DJ,DL ,DM	1
-458	114T4602-22		.RIB ASSY-ACTR	J,K,W ,AA,A B,C W-DD, DG,DH	1

**57-43-45**

FIG. & ITEM	PART NO.	AIRLINE PART NUMBER	NOMENCLATURE 1234567	EFF CODE	QTY PER ASSY
04- -458A	114T4602-402		.RIB ASSY-ACTR	DK,D N-DP	1
460	114T4603-21		.RIB ASSY-ACTR	G,H,L ,V,Z, CN-CV ,DE,D F	1
-460A	114T4603-401		.RIB ASSY-ACTR	DJ,DL ,DM	1
-462	114T4603-22		.RIB ASSY-ACTR	J,K,W ,AA,A B,C W-DD, DG,DH	1
-462A	114T4603-402		.RIB ASSY-ACTR	DK,D N-DP	1
464	BACB28AM07B020A		..BUSHING	G-L,V ,W, Z-AB, CN-DH	1
-464A	BACB28AT08B019C		..BUSHING	DJ-DP	1
466	BACB28AP05P019		..BUSHING	G-L,V ,W, Z-AB, CN-DH	1
-466A	BACB28AP06P019		..BUSHING	DJ-DP	1
468	BACR15BA3AD		..RIVET- (SIZE DETERMINE ON INST)	G-L,V ,W, Z-AB, CN-DP	32

# 57-43-45

 ILLUSTRATED PARTS LIST  
 01.1 Page 1062V  
 Nov 01/00

114T4102  
 015T0165  
 015T1507  
 DASH NUMBERS LIMITED

 **BOEING**  
 COMPONENT  
 MAINTENANCE MANUAL

FIG. & ITEM	PART NO.	AIRLINE PART NUMBER	NOMENCLATURE 1234567	EFF CODE	QTY PER ASSY
04-470	BACN10JQ34		..NUTPLATE	G-L,V ,W, Z-AB, CN-DH DJ-DP	4
-470A	MF19058-3-2BAC		..NUTPLATE- (V15653) (SPEC BACN10YF32)		4
472	BACN10JQ35		..NUTPLATE	G-L,V ,W, Z-AB, CN-DH DJ-DP	10
-472A	MF19058-3-2BAC		..NUTPLATE- (V15653) (SPEC BACN10YF32)		10
474	NS103225-02		..NUTPLATE- (V80539) (SPEC BACN10KH3) (OPT RMF9209M3 (V72962)) (OPT F29779-3 (V15653))	G-L,V ,W, Z-AB, CN-DP	2
476	NAS1195DD3KH		..SHIM	G-L,V ,W, Z-AB, CN-DP	4
478	114T4602-23		..RIB- (USED ON ITEM 456)	G,H,L ,V,Z, CN-CV ,DE,D F	1
-478A	114T4602-403		..RIB- (USED ON ITEM 456A)	DJ,DL ,DM	1

**57-43-45**

ILLUSTRATED PARTS LIST  
 01.1 Page 1062W  
 Nov 01/00



FIG. & ITEM	PART NO.	AIRLINE PART NUMBER	NOMENCLATURE 1234567	EFF CODE	QTY PER ASSY
04- -480	114T4602-24		..RIB- (USED ON ITEM 458)	J,K,W ,AA,A B,C W-DD, DG,DH	1
-480A	114T4602-404		..RIB- (USED ON ITEM 458A)	DK,D N-DP	1
482	114T4603-23		..RIB- (USED ON ITEM 460)	G,H,L ,V,Z, CN-CV ,DE,D F	1
-482A	114T4603-403		..RIB- (USED ON ITEM 460A)	DJ,DL ,DM	1
-484	114T4603-24		..RIB- (USED ON ITEM 462)	J,K,W ,AA,A B,C W-DD, DG,DH	1
-484A	114T4603-404		..RIB- (USED ON ITEM 462A)	DK,D N-DP	1
486	NAS1195DD3KH		.SHIM	G-L,V ,W, Z-AB, CN-DP	4
488	BACB30NU3K8		.BOLT	G,J,L ,V,W, Z-AB, CN-DD	8
-488A	BACB30VF3K8		.BOLT	H,K,D E-DP	8
490	BACB30NU3K5		.BOLT	G,J,L ,V,W, Z-AB, CN-DD	8
-490A	BACB30VF3K5		.BOLT	H,K,D E-DP	8
492	AN960PD10		.WASHER	G,J,L ,V,W, Z-AB, CN-DD	16

# 57-43-45

 ILLUSTRATED PARTS LIST  
 01.1 Page 1062X  
 Nov 01/00

FIG. & ITEM	PART NO.	AIRLINE PART NUMBER	NOMENCLATURE 1234567	EFF CODE	QTY PER ASSY
04- -492A	NAS1149D0363J		.WASHER	H,K,D E-DP	16
494	H10-3BAC		.NUT- (V15653) (SPEC BACN10JC3) (OPT NS202101-02 (V80539)) (OPT RMLH9075-3W (V72962)) (OPT T6S1032J (V71087)) (OPT VN303A02 (V92215)) (OPT 96-02 (V80539)) (OPT BRH10A3 (V52828))	G,J,L ,V,W, Z-AB, CN-DD	16
-494A	BACN10JC3CD		.NUT	H,K,D E-DP	16
496	BACB30NW6K		.BOLT- (SIZE DETERMINE ON INST)	G-L,V ,W, Z-AB, CN-DP	16
498	BACB30MY6K		.BOLT- (SIZE DETERMINE ON INST)	G-L,V ,W, Z-AB, CN-DP	6
500	HL79-6		.COLLAR- (V56878) (SPEC BACC30M6) (OPT HL79-6 (V73197)) (OPT HL79-6 (V92215)) (OPT 66014-6 (V56878)) (OPT HL79-6 (V5M902))	G-L,V ,W, Z-AB, CN-DP	22

**57-43-45**

FIG. & ITEM	PART NO.	AIRLINE PART NUMBER	NOMENCLATURE 1234567	EFF CODE	QTY PER ASSY
04-501	HST10AG6-4		.BOLT- (V06725) (SPEC BACB30VT6K4) (OPT HST10AG6-4 (V73197)) (OPT HST10AG6-4 (V56878)) (OPT HST10AG6-4 (VOPTK6))	G-L,V ,W, Z-AB, CN-DP	12
502	BACR15FT6AD		DELETED		
503	HST79CY6		.COLLAR- (V73197) (SPEC BACC30BL6) (OPT HST79-6 (V56878)) (OPT HST79-6 (V92215)) (OPT HST79-6 (V5M902))	G-L,V ,W, Z-AB, CN-DP	12
504	BACS40R08C21F		.SHIM	G,J,L ,V,W, Z-AB, CN-DD	2
-504A	BACS40R008C021F		.SHIM	H,K,D E-DP	2
506	BACF3F005R005NN		.FILLER	G-L,V ,W, Z-AB, CN-DP	4
508	114T4402-13		.RIB ASSY-MAIN TRACK	G,H,L ,V,Z, CN-CV ,DE,D F,DJ DL,DM	1

**57-43-45**

114T4102  
 015T0165  
 015T1507  
 DASH NUMBERS LIMITED

 **BOEING**  
 COMPONENT  
 MAINTENANCE MANUAL

FIG. & ITEM	PART NO.	AIRLINE PART NUMBER	NOMENCLATURE 1234567	EFF CODE	QTY PER ASSY
04- -510	114T4402-14		.RIB ASSY-MAIN TRACK	J,K,W ,AA,A B,C W-DD, DG,DH DK,DH N-DP	1
512	BACB28AP08P039		..BUSHING	G-L,V ,W, Z-AB, CN-DP	1
514	BACB28AM11B040A		..BUSHING	G-L,V ,W, Z-AB, CN-DP	1
516	BACR15BA3AD		..RIVET- (SIZE DETERMINE ON INST)	G-L,V ,W, Z-AB, CN-DP	32
518	BACN10JQ33		..NUTPLATE	G-L,V ,W, Z-AB, CN-DP	14
520	NS103225-02		..NUTPLATE- (V80539) (SPEC BACN10KH3) (OPT RMF9209M3 (V72962)) (OPT F29779-3 (V15653))	G-L,V ,W, Z-AB, CN-DP	2

**57-43-45**

ILLUSTRATED PARTS LIST  
 01.1 Page 1063  
 Nov 01/00

FIG. & ITEM	PART NO.	AIRLINE PART NUMBER	NOMENCLATURE 1234567	EFF CODE	QTY PER ASSY
04-522	NAS1195DD3KH		..SHIM	G-L,V ,W, Z-AB, CN-DP	2
524	114T4402-15		..RIB	G,H,L ,V,Z, CN-CV ,DE,D F,DJ DL,DM	1
-526	114T4402-16		..RIB	J,K,W ,AA,A B,C W-DD, DG,DH DK,DH N-DP	1
528	114T4403-13		.RIB ASSY-MAIN TRACK	G,H,L ,V,Z, CN-CV ,DE,D F,DJ DL,DM	1
-530	114T4403-14		.RIB ASSY-MAIN TRACK	J,K,W ,AA,A B,C W-DD, DG,DH DK,DH N-DP	1
532	BACB28AP08P039		..BUSHING	G-L,V ,W, Z-AB, CN-DP	1
536	BACB28AM11B040A		..BUSHING	G-L,V ,W, Z-AB, CN-DP	1

# 57-43-45

 ILLUSTRATED PARTS LIST  
 01.1 Page 1064  
 Nov 01/00

FIG. & ITEM	PART NO.	AIRLINE PART NUMBER	NOMENCLATURE 1234567	EFF CODE	QTY PER ASSY
04-538	BACR15BA3AD		..RIVET- (SIZE DETERMINE ON INST) (NHA 114T4403)	G-L,V ,W, Z-AB, CN-DP	32
540	BACN10JQ33		..NUTPLATE	G-L,V ,W, Z-AB, CN-DP	14
542	NS103225-02		..NUTPLATE- (V80539) (SPEC BACN10KH3) (OPT RMF9209M3 (V72962)) (OPT F29779-3 (V15653))	G-L,V ,W, Z-AB, CN-DP	2
544	NAS1195DD3KH		..SHIM	G-L,V ,W, Z-AB, CN-DP	2
546	114T4403-15		..RIB	G,H,L ,V,Z, CN-CV ,DE,D F,DJ DL,DM	1
-548	114T4403-16		..RIB	J,K,W ,AA,A B,C W-DD, DG,DH DK,DH N-DP	1
550	114T4514-5		.RIB ASSY-AUX	G,H,L ,V,Z, CN-CV ,DE,D F	1
-550A	114T4514-401		.RIB ASSY-AUX	DJ,DL ,DM	1
-552	114T4514-6		.RIB ASSY-AUX	J,K,W ,AA,A B,C W-DD, DG,DH	1

57-43-45

FIG. & ITEM	PART NO.	AIRLINE PART NUMBER	NOMENCLATURE 1234567	EFF CODE	QTY PER ASSY
04- -552A	114T4514-402		.RIB ASSY-AUX	DK,D N-DP	1
554	114T4515-5		.RIB ASSY-AUX	G,H,L ,V,Z, CN-CV ,DE,D F	1
-554A	114T4515-401		.RIB ASSY-AUX	DJ,DL ,DM	1
-556	114T4515-6		.RIB ASSY-AUX	J,K,W ,AA,A B,C W-DD, DG,DH	1
-556A	114T4515-402		.RIB ASSY-AUX	DK,D N-DP	1
558	BACB30NT3K6		ATTACHING PARTS .BOLT	G-L,V ,W, Z-AB, CN-DP	4
560	HL11VAZ5-5		.BOLT- (V56878) (SPEC BACB30NW5K5) (OPT B30NW5K5 (V97928)) (OPT HL11VAZ5-5 (V73197)) (OPT HL11VAZ5-5 (V92215)) (OPT HL11VAZ5-5 (V97928)) (OPT L803-5K5 (V06725)) (OPT HL11VAZ5-5 (V0PTK6)) (OPT HL11VAZ5-5 (V60516))	G-L,V ,W, Z-AB, CN-DH	4

# 57-43-45

 ILLUSTRATED PARTS LIST  
 01.1 Page 1064B  
 Nov 01/00

FIG. & ITEM	PART NO.	AIRLINE PART NUMBER	NOMENCLATURE 1234567	EFF CODE	QTY PER ASSY
04-					
-560A	BACB30YP5K5		.BOLT	DJ-DP	4
562	AN960PD10		.WASHER	G,J,L ,V,W, Z-AB, CN-DD	4
-562A	NAS1149D0363J		.WASHER	H,K,D	4
564	BACW10P43AL		.WASHER	E-DP G-L,V ,W, Z-AB, CN-DP	4
566	H10-3BAC		.NUT- (V15653) (SPEC BACN10JC3) (OPT NS202101-02 (V80539)) (OPT RMLH9075-3W (V72962)) (OPT T6S1032J (V71087)) (OPT VN303A02 (V92215)) (OPT 96-02 (V80539)) (OPT BRH10A3 (V52828))	G,J,L ,V,W, Z-AB, CN-DD	8
-566A	BACN10JC3CD		.NUT	H,K,D E-DP	8
568	HL70-5		.COLLAR- (V56878) (SPEC BACC30M5) (OPT HL70-5 (V73197)) (OPT HL70-5 (V92215)) (OPT 66014-5 (V56878)) (OPT HL79-5 (V5M902))	G-L,V ,W, Z-AB, CN-DH	4

57-43-45



FIG. & ITEM	PART NO.	AIRLINE PART NUMBER	NOMENCLATURE 1234567	EFF CODE	QTY PER ASSY
04-568A	HST79CY5		.COLLAR- (V73197) (SPEC BACC30BL5) (OPT HST79-5 (V92215)) (OPT HST79CY5 (V56878)) (OPT HST79CY5 (V5M902))	DJ-DP	4
570	BACB30NW6K		.BOLT- (SIZE DETERMINE ON INST) (NHA 114T4102)	G-L,V ,W, Z-AB, CN-DP	14
572	BACB30MY6K		.BOLT- (SIZE DETERMINE ON INST) (NHA 114T4102)	G-L,V ,W, Z-AB, CN-DP	2
574	HL79-6		.COLLAR- (V56878) (SPEC BACC30M6) (OPT HL79-6 (V73197)) (OPT HL79-6 (V92215)) (OPT 66014-6 (V56878)) (OPT HL79-6 (V5M902))	G-L,V ,W, Z-AB, CN-DP	16
576	BACR15FT5AD		.RIVET- (SIZE DETERMINE ON INST)	G-L,V ,W, Z-AB, CN-DP	8
578	BACF3F005R005NN		.FILLER	G-L,V ,W, Z-AB, CN-DP	2

**57-43-45**

FIG. & ITEM	PART NO.	AIRLINE PART NUMBER	NOMENCLATURE 1234567	EFF CODE	QTY PER ASSY
04-580	BACS40R08C08F		.SHIM	G,J,L ,V,W, Z-AB, CN-DD	2
-580A	BACS40R008C008F		.SHIM	H,K,D E-DP	2
582	012T2400-45		-----*----- ..BUSHING	G-L,V ,W, Z-AB, CN-DP	2
584	HL441N5-3		..BOLT- (V56878) (SPEC BACB30FN5A3N) (OPT HL441N5-3 (V73197)) (OPT HL441N5-3 (V92215)) (OPT HL441N5-3 (V97928)) (OPT HL441N5-3 (V08524)) (OPT HL19-5A3N (V06725)) (OPT L839-5A3N (V06725)) (OPT ITEM 584A)	G-L,V ,W, Z-AB, CN-DH	4

**57-43-45**

ILLUSTRATED PARTS LIST  
 01.1 Page 1064E  
 Nov 01/00

FIG. & ITEM	PART NO.	AIRLINE PART NUMBER	NOMENCLATURE 1234567	EFF CODE	QTY PER ASSY
04- -584A	HL441UC5-3		..BOLT- (V56878) (SPEC BACB30FN5A3) (OPT HL441UC5-3 (V73197)) (OPT HL441UC5-3 (V92215)) (OPT HL441UC5-3 (V97928)) (OPT HL41PY5-3 (V80539)) (OPT HL441N5-3 (V80539)) (OPT HL441UC5-3 (V80539)) (OPT 67068-5A3 (V56878)) (OPT 67068-5A3 (V56878)) (OPT HL19-5A3 (V06725)) (OPT L839-5A3 (V06725)) (OPT ITEM 584)	G-L,V W, Z-AB, CN-DH	4
-584B	HL441N5-3		..BOLT- (V56878) (SPEC BACB30FN5A3N) (OPT HL441N5-3 (V73197)) (OPT HL441N5-3 (V92215)) (OPT HL441N5-3 (V97928)) (OPT HL441N5-3 (V08524)) (OPT HL19-5A3N (V06725)) (OPT L839-5A3N (V06725))	DJ-DP	4

**57-43-45**

114T4102  
 015T0165  
 015T1507  
 DASH NUMBERS LIMITED

 **BOEING**  
 COMPONENT  
 MAINTENANCE MANUAL

FIG. & ITEM	PART NO.	AIRLINE PART NUMBER	NOMENCLATURE 1234567	EFF CODE	QTY PER ASSY
04-586	AN960PD8L		..WASHER	G-L,V W, Z-AB, CN-DH	4
-586A 588	NAS1149DN816J BACN10JC08CD		..WASHER ..NUT- (OPT ITEM 588A)	DJ-DP G-L,V W, Z-AB, CN-DH	4 4
-588A	H10-08BAC		..NUT- (V15653) (SPEC BACN10JC08) (OPT NS202101-82 (V80539)) (OPT RMLH9075-82W (V72962)) (OPT T6S832J (V71087)) (OPT VN303A82 (V92215)) (OPT 96-82 (V80539)) (OPT BRH10A08 (V52828)) (OPT ITEM 588)	G-L,V W, Z-AB, CN-DH	4
-588B 590	BACN10JC08CD 114T4149-1		..NUT ..PLATE-RUB	DJ-DP G-L,V W, Z-AB, CN-DP	4 2

**57-43-45**

ILLUSTRATED PARTS LIST  
 01.1 Page 1064G  
 Nov 01/00

FIG. & ITEM	PART NO.	AIRLINE PART NUMBER	NOMENCLATURE 1234567	EFF CODE	QTY PER ASSY
04-592	114T4149-2		..PLATE-RUB	G-L,V ,W, Z-AB, CN-DP	2
594	114T4514-7		..RIB- (USED ON ITEM 550)	G,H,L ,V,Z, CN-CV ,DE,D F	1
-594A	114T4514-403		..RIB- (USED ON ITEM 550A)	DJ,DL ,DM	1
-596	114T4514-8		..RIB- (USED ON ITEM 552)	J,K,W ,AA,A B,C W-DD, DG,DH	1
-596A	114T4514-404		..RIB- (USED ON ITEM 552A)	DK,D N-DP	1
598	114T4515-7		..RIB- (USED ON ITEM 554)	G,H,L ,V,Z, CN-CV ,DE,D F	1
-598A	114T4515-403		..RIB- (USED ON ITEM 554A)	DJ,DL ,DM	1
-600	114T4515-8		..RIB- (USED ON ITEM 556)	J,K,W ,AA,A B,C W-DD, DG,DH	1
-600A	114T4515-404		..RIB- (USED ON ITEM 556A)	DK,D N-DP	1
602	114T4702-5		.RIB ASSY-AIR LOAD	G,H,L ,V,Z, CN-CV ,DE,D F,DJ DL,DM	1
-604	114T4702-6		.RIB ASSY-AIR LOAD	J,K,W ,AA,A B,C W-DD, DG,DH DK,DH N-DP	1

# 57-43-45

 ILLUSTRATED PARTS LIST  
 01.1 Page 1064H  
 Nov 01/00

FIG. & ITEM	PART NO.	AIRLINE PART NUMBER	NOMENCLATURE 1234567	EFF CODE	QTY PER ASSY
04-606	BACR15BA3AD		..RIVET- (SIZE DETERMINE ON INST)	G-L,V ,W, Z-AB, CN-DP	12
608	BRFM20A3		..NUTPLATE- (V52828) (SPEC BACN10JN3) (OPT MF1000-3BAC (V15653)) (OPT NS103218-02 (V80539)) (OPT RMF9201M3 (V72962)) (OPT VN252A02 (V92215)) (OPT MF1000-3BAC (V15653)) (OPT MF53049-3 (V15653))	G-L,V ,W, Z-AB, CN-DP	4
610	NS103225-02		..NUTPLATE- (V80539) (SPEC BACN10KH3) (OPT RMF9209M3 (V72962)) (OPT F29779-3 (V15653))	G-L,V ,W, Z-AB, CN-DP	2
612	114T4903-5		.RIB ASSY-END	G,H,L ,V,Z, CN-CV ,DE,D F,DJ DL,DM	1
-614	114T4903-6		.RIB ASSY-END	J,K,W ,AA,A B,C W-DD, DG,DH DK,DH N-DP	1

57-43-45

FIG. & ITEM	PART NO.	AIRLINE PART NUMBER	NOMENCLATURE 1234567	EFF CODE	QTY PER ASSY
04-616	BACR15BA3AD		..RIVET- (SIZE DETERMINE ON INST)	G-L,V ,W, Z-AB, CN-DP	14
618	BACN10JQ33		..NUTPLATE	G-L,V ,W, Z-AB, CN-DP	3
620	BACN10JQ34		..NUTPLATE	G-L,V ,W, Z-AB, CN-DP	2
622	BRFM20A3		..NUTPLATE- (V52828) (SPEC BACN10JN3) (OPT MF1000-3BAC (V15653)) (OPT NS103218-02 (V80539)) (OPT RMF9201M3 (V72962)) (OPT VN252A02 (V92215)) (OPT MF1000-3BAC (V15653)) (OPT MF53049-3 (V15653))	G-L,V ,W, Z-AB, CN-DP	1
624	NS103225-02		..NUTPLATE- (V80539) (SPEC BACN10KH3) (OPT RMF9209M3 (V72962)) (OPT F29779-3 (V15653))	G-L,V ,W, Z-AB, CN-DP	1

# 57-43-45

 ILLUSTRATED PARTS LIST  
 01.1 Page 1064J  
 Nov 01/00

114T4102  
 015T0165  
 015T1507  
 DASH NUMBERS LIMITED

 **BOEING**  
 COMPONENT  
 MAINTENANCE MANUAL

FIG. & ITEM	PART NO.	AIRLINE PART NUMBER	NOMENCLATURE 1234567	EFF CODE	QTY PER ASSY
04-626	NAS1195DD3KH		..SHIM	G-L,V W, Z-AB, CN-DP	2
628	BACR15BA3AD		.RIVET- (SIZE DETERMINE ON INST)	G-L,V W, Z-AB, CN-DP	4
630	BRFM20A3		.NUTPLATE- (V52828) (SPEC BACN10JN3) (OPT MF1000-3BAC (V15653)) (OPT NS103218-02 (V80539)) (OPT RMF9201M3 (V72962)) (OPT VN252A02 (V92215)) (OPT MF1000-3BAC (V15653)) (OPT MF53049-3 (V15653))	G-L,V W, Z-AB, CN-DP	2
632	114T4904-5		.RIB ASSY-END	G,H,L V,Z, CN-CV DE,D F,DJ DL,DM	1

**57-43-45**

ILLUSTRATED PARTS LIST  
 01.1 Page 1064K  
 Nov 01/00



FIG. & ITEM	PART NO.	AIRLINE PART NUMBER	NOMENCLATURE 1234567	EFF CODE	QTY PER ASSY
04- -634	114T4904-6		.RIB ASSY-END	J,K,W ,AA,A B,C W-DD, DG,DH DK,DH N-DP	1
636	BACR15BA3AD		..RIVET- (SIZE DETERMINE ON INST)	G-L,V ,W, Z-AB, CN-DP	10
638	BACN10JQ34		..NUTPLATE	G-L,V ,W, Z-AB, CN-DP	3
640	BRFM20A3		..NUTPLATE- (V52828) (SPEC BACN10JN3) (OPT MF1000-3BAC (V15653)) (OPT NS103218-02 (V80539)) (OPT RMF9201M3 (V72962)) (OPT VN252A02 (V92215)) (OPT MF1000-3BAC (V15653)) (OPT MF53049-3 (V15653))	G-L,V ,W, Z-AB, CN-DP	1
642	NS103225-02		..NUTPLATE- (V80539) (SPEC BACN10KH3) (OPT RMF9209M3 (V72962)) (OPT F29779-3 (V15653))	G-L,V ,W, Z-AB, CN-DP	1

# 57-43-45

 ILLUSTRATED PARTS LIST  
 01.1 Page 1064L  
 Nov 01/00

114T4102  
 015T0165  
 015T1507  
 DASH NUMBERS LIMITED

 **BOEING**  
 COMPONENT  
 MAINTENANCE MANUAL

FIG. & ITEM	PART NO.	AIRLINE PART NUMBER	NOMENCLATURE 1234567	EFF CODE	QTY PER ASSY
04-644	NAS1195DD3KH		..SHIM	G-L,V ,W, Z-AB, CN-DP	1
646	114T4122-85		.BEAM ASSY-NOSE	G,H,L ,V,Z, CN-CV ,DE,D F	1
-646A	114T4122-401		.BEAM ASSY-NOSE	DJ,DL ,DM	1
-648	114T4122-86		.BEAM ASSY-NOSE	J,K,W ,AA,A B,C W-DD, DG,DH	1
-648A	114T4122-402		.BEAM ASSY-NOSE	DK,D N-DP	1
650	BACB30NT3K5		..BOLT	G-L,V ,W, Z-AB, CN-DH	42
-650A	BACB30NT3K6		..BOLT	DJ-DP	42
652	AN960PD10L		..WASHER	G-L,V ,W, Z-AB, CN-DH	42
-652A	NAS1149D0316J		..WASHER	DJ-DP	42
654	114T4119-2		..DOUBLER	G-L,V ,W, Z-AB, CN-DP	3
656	BACR15BA3AD		..RIVET- (SIZE DETERMINE ON INST)	G-L,V ,W, Z-AB, CN-DP	84
658	BACN10JQ32		..NUTPLATE	G-L,V ,W, Z-AB, CN-DH	42
-658A	MF19058-3-2BAC		..NUTPLATE- (V15653) (SPEC BACN10YF32)	DJ-DP	42

57-43-45

ILLUSTRATED PARTS LIST  
 01.1 Page 1064M  
 Nov 01/00

FIG. & ITEM	PART NO.	AIRLINE PART NUMBER	NOMENCLATURE 1234567	EFF CODE	QTY PER ASSY
04-660	114T4119-2		DELETED		
660A	114T4119-1		..DOOR	G-L,V ,W, Z-AB, CN-DP	3
662	BACS40R08C17F		.SHIM	G,J,L ,V,W, Z-AB, CN-DD	1
-662A	BACS40R008C017F		.SHIM	H,K,D E-DP	1
664	114T4200-27		.SEAL INSTL	G,H,L ,V,Z, CN-CV ,DE,D F,DJ DL,DM	1
-666	114T4200-28		.SEAL INSTL	J,K,W ,AA,A B,C W-DD, DG,DH DK,DH N-DP	1
668	BACB30NN3K4		..BOLT	G-L,V ,W, Z-AB, CN-DP	4
670	BACB30NT3K5		..BOLT	G-L,V ,W, Z-AB, CN-DP	2
672	BACW10P43AL		..WASHER	G-L,V ,W, Z-AB, CN-DP	6

# 57-43-45

 ILLUSTRATED PARTS LIST  
 01.1 Page 1064N  
 Nov 01/00

114T4102  
 015T0165  
 015T1507  
 DASH NUMBERS LIMITED

 **BOEING**  
 COMPONENT  
 MAINTENANCE MANUAL

FIG. & ITEM	PART NO.	AIRLINE PART NUMBER	NOMENCLATURE 1234567	EFF CODE	QTY PER ASSY
04-674	H10-3BAC		..NUT- (V15653) (SPEC BACN10JC3) (OPT NS202101-02 (V80539)) (OPT RMLH9075-3W (V72962)) (OPT T6S1032J (V71087)) (OPT VN303A02 (V92215)) (OPT 96-02 (V80539)) (OPT BRH10A3 (V52828))	G-L,V ,W, Z-AB, CN-DP	4
676	114T4240-69		..SEAL	G,H,L ,V,Z, CN-CV ,DE,D F,DJ DL,DM	1
-678	114T4240-70		..SEAL	J,K,W ,AA,A B,C W-DD, DG,DH DK,DH N-DP	1
680	114T4240-71		..SEAL	G,H,L ,V,Z, CN-CV ,DE,D F,DJ DL,DM	1

**57-43-45**

ILLUSTRATED PARTS LIST  
 01.1 Page 10640  
 Nov 01/00

FIG. & ITEM	PART NO.	AIRLINE PART NUMBER	NOMENCLATURE 1234567	EFF CODE	QTY PER ASSY
04- -682	114T4240-72		..SEAL	J,K,W ,AA,A B,C W-DD, DG,DH DK,DH N-DP	1
684	114T4200-15		.SEAL INSTL	G,H,L ,V,Z, CN-CV ,DE,D F,DJ DL,DM	1
-686	114T4200-16		.SEAL INSTL	J,K,W ,AA,A B,C W-DD, DG,DH DK,DH N-DP	1
688	BACB30NT3K2		..BOLT	G-L,V ,W, Z-AB, CN-DP	1
690	BACB30NT3K4		..BOLT	G-L,V ,W, Z-AB, CN-DP	14
692	BACN10P43AL		..WASHER	G-L,V ,W, Z-AB, CN-DP	6
694	AN960PD10L		..WASHER	G-L,V ,W, Z-AB, CN-DP	21

# 57-43-45

 ILLUSTRATED PARTS LIST  
 01.1 Page 1064P  
 Nov 01/00

FIG. & ITEM	PART NO.	AIRLINE PART NUMBER	NOMENCLATURE 1234567	EFF CODE	QTY PER ASSY
04-696	AN960PD10		..WASHER	G-L,V W, Z-AB, CN-DP	1
698	H10-3BAC		..NUT- (V15653) (SPEC BACN10JC3) (OPT NS202101-02 (V80539)) (OPT RMLH9075-3W (V72962)) (OPT T6S1032J (V71087)) (OPT VN303A02 (V92215)) (OPT 96-02 (V80539)) (OPT BRH10A3 (V52828))	G-L,V W, Z-AB, CN-DP	13
700	114T4221-15		..FITTING-ATTACH	G,H,L V,Z, CN-CV DE,D F,DJ DL,DM	1
-702	114T4221-16		..FITTING-ATTACH	J,K,W AA,A B,C W-DD, DG,DH DK,DH N-DP	1
704	114T4223-21		..SEAL-BLADE	G,H,L V,Z, CN-CV DE,D F,DJ DL,DM	1

57-43-45

FIG. & ITEM	PART NO.	AIRLINE PART NUMBER	NOMENCLATURE 1234567	EFF CODE	QTY PER ASSY
04- -706	114T4223-22		..SEAL-BLADE	J,K,W ,AA,A B,C W-DD, DG,DH DK,DH N-DP	1
708	114T4222-27		..RETAINER	G,H,L ,V,Z, CN-CV ,DE,D F,DJ DL,DM	1
-710	114T4222-28		..RETAINER	J,K,W ,AA,A B,C W-DD, DG,DH DK,DH N-DP	1
712	114T4221-23		..FITTING-ATTACH	G,H,L ,V,Z, CN-CV ,DE,D F,DJ DL,DM	1
-714	114T4221-24		..FITTING-ATTACH	J,K,W ,AA,A B,C W-DD, DG,DH DK,DH N-DP	1
716	114T4223-19		..SEAL	G,H,L ,V,Z, CN-CV ,DE,D F,DJ DL,DM	1

**57-43-45**

ILLUSTRATED PARTS LIST  
01.1 Page 1064R  
Nov 01/00

114T4102  
 015T0165  
 015T1507  
 DASH NUMBERS LIMITED

 **BOEING**  
 COMPONENT  
 MAINTENANCE MANUAL

FIG. & ITEM	PART NO.	AIRLINE PART NUMBER	NOMENCLATURE 1234567	EFF CODE	QTY PER ASSY
04- -718	114T4223-20		..SEAL	J,K,W ,AA,A B,C W-DD, DG,DH DK,DH N-DP	1
720	114T4222-2		..RETAINER	G-L,V ,W, Z-AB, CN-DP	1
722	114T4240-57		..SEAL	G,H,L ,V,Z, CN-CV ,DE,D F,DJ DL,DM	1
-724	114T4240-58		..SEAL	J,K,W ,AA,A B,C W-DD, DG,DH DK,DH N-DP	1
726	114T4240-59		..SEAL	G,H,L ,V,Z, CN-CV ,DE,D F,DJ DL,DM	1

**57-43-45**

ILLUSTRATED PARTS LIST  
 01.1 Page 1064S  
 Nov 01/00



FIG. & ITEM	PART NO.	AIRLINE PART NUMBER	NOMENCLATURE	EFF CODE	QTY PER ASSY
04-728	114T4240-60		..SEAL	J,K,W ,AA,A B,C W-DD, DG,DH DK,DH N-DP	1
730	BACR15CE6KE		.RIVET- (SIZE DETERMINE ON INST)	G-L,V ,W, Z-AB, CN-DP	10
732	114T4301-123		.RIB ASSY-NOSE	G,H,L ,V,Z, CN-CV ,DE,D F,DJ DL,DM	1
-734	114T4301-124		.RIB ASSY-NOSE	J,K,W ,AA,A B,C W-DD, DG,DH DK,DH N-DP	1
736	BACR15CE5KE		ATTACHING PARTS .RIVET- (SIZE DETERMINE ON INST)  -----*	G-L,V ,W, Z-AB, CN-DP	10

# 57-43-45

 ILLUSTRATED PARTS LIST  
 01.1 Page 1064T  
 Nov 01/00

114T4102  
 015T0165  
 015T1507  
 DASH NUMBERS LIMITED

 **BOEING**  
 COMPONENT  
 MAINTENANCE MANUAL

FIG. & ITEM	PART NO.	AIRLINE PART NUMBER	NOMENCLATURE 1234567	EFF CODE	QTY PER ASSY
04-738	114T4103-117		.RIB ASSY-NOSE	G,H,L ,V,Z, CN-CV ,DE,D F,DJ DL,DM	1
-740	114T4103-118		.RIB ASSY-NOSE	J,K,W ,AA,A B,C W-DD, DG,DH DK,DH N-DP	1
742	BACR15CE6KE		ATTACHING PARTS .RIVET- (SIZE DETERMINE ON INST)	G-L,V ,W, Z-AB, CN-DP	10
744	114T4301-119		-----*----- .RIB ASSY-NOSE	G,H,L ,V,Z, CN-CV ,DE,D F,DJ DL,DM	1
-746	114T4301-120		.RIB ASSY-NOSE	J,K,W ,AA,A B,C W-DD, DG,DH DK,DH N-DP	1

- Item Not Illustrated

**57-43-45**

ILLUSTRATED PARTS LIST  
 01.1 Page 1064U  
 Nov 01/00